

FIG. 1

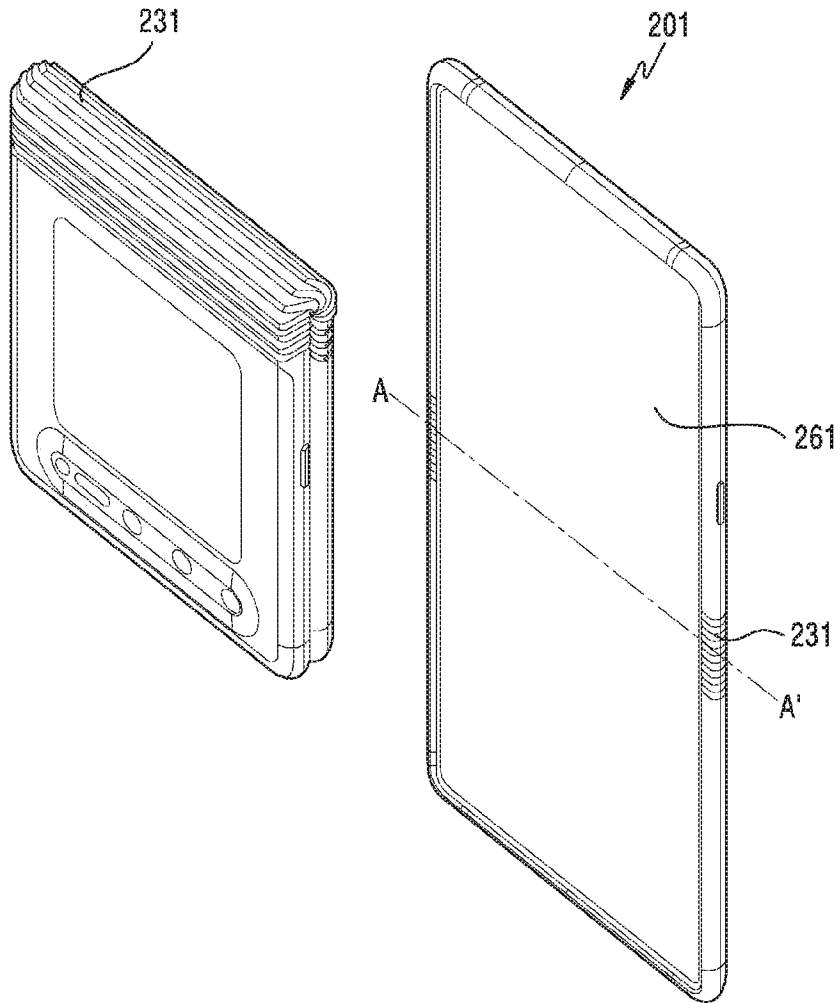


FIG.2A

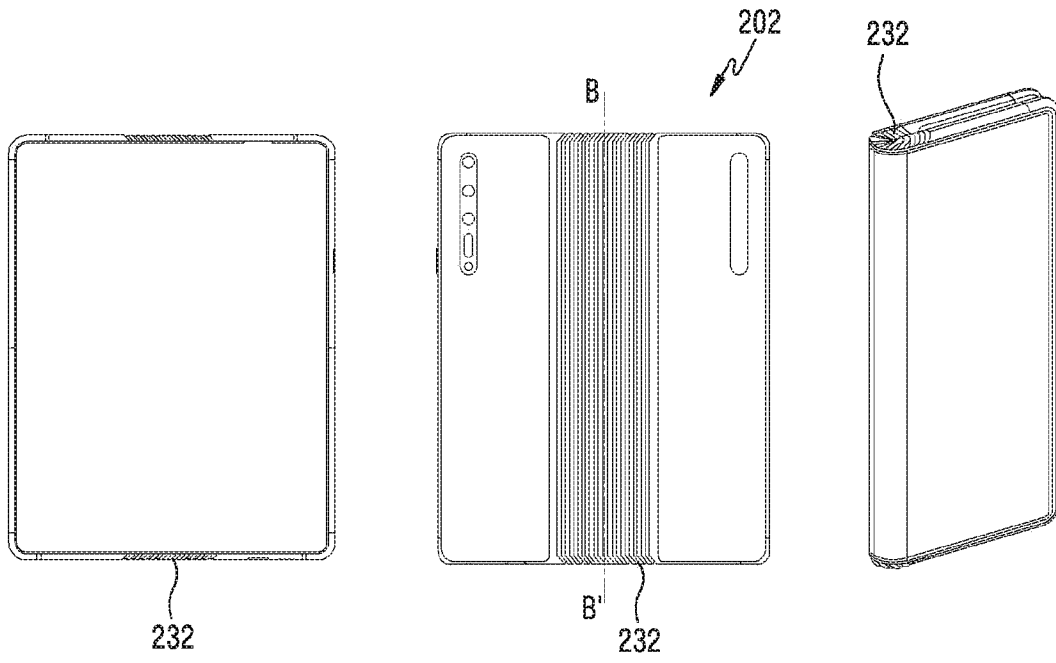


FIG. 2B

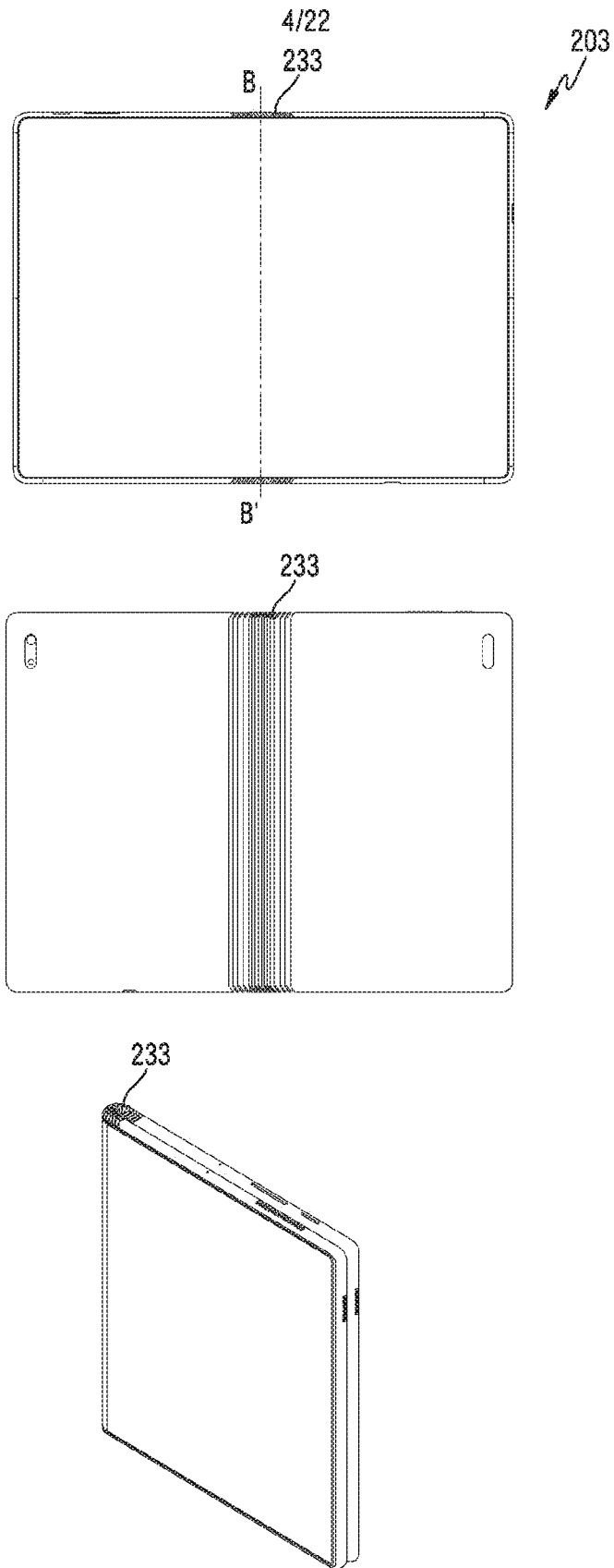


FIG.2C

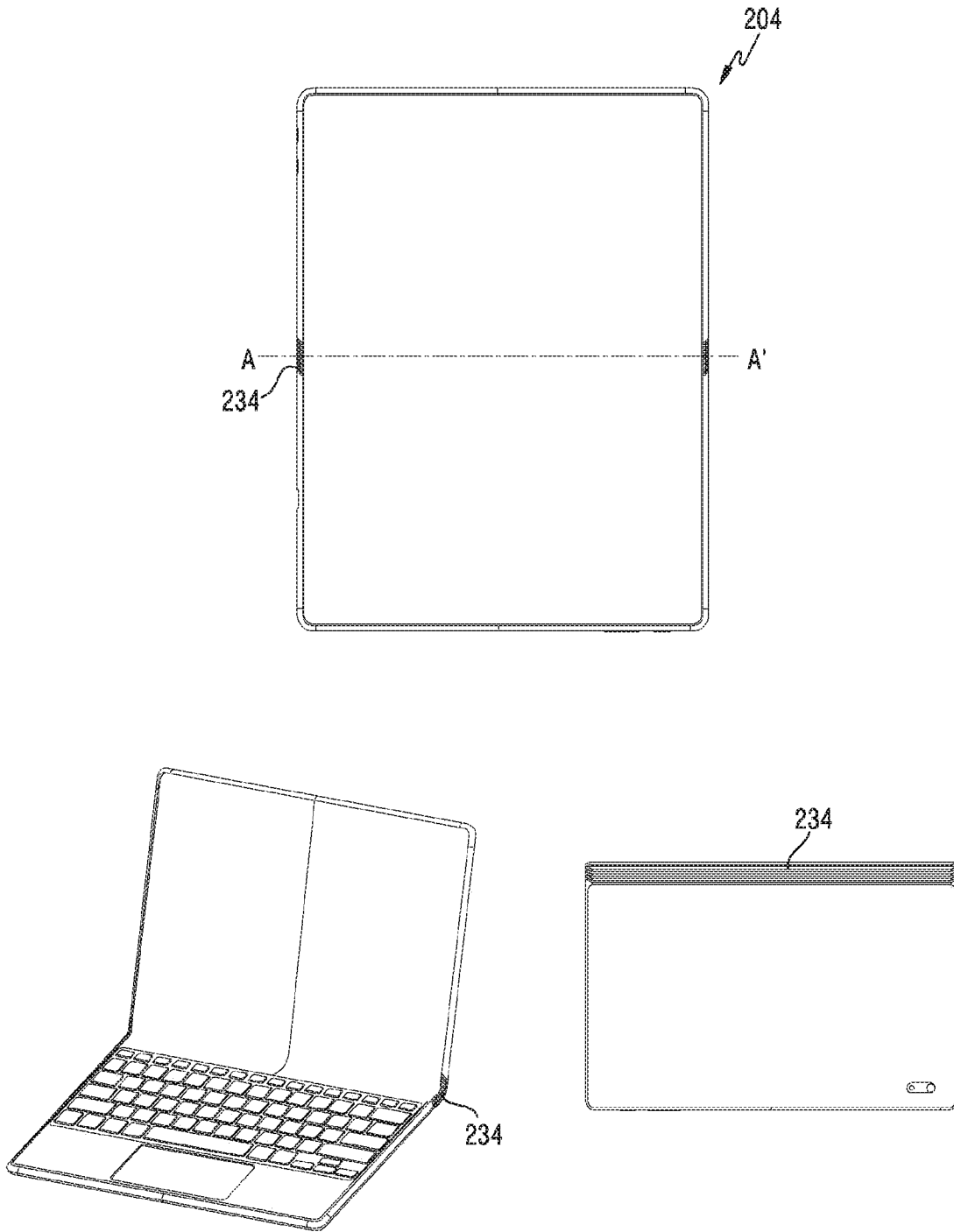


FIG.2D

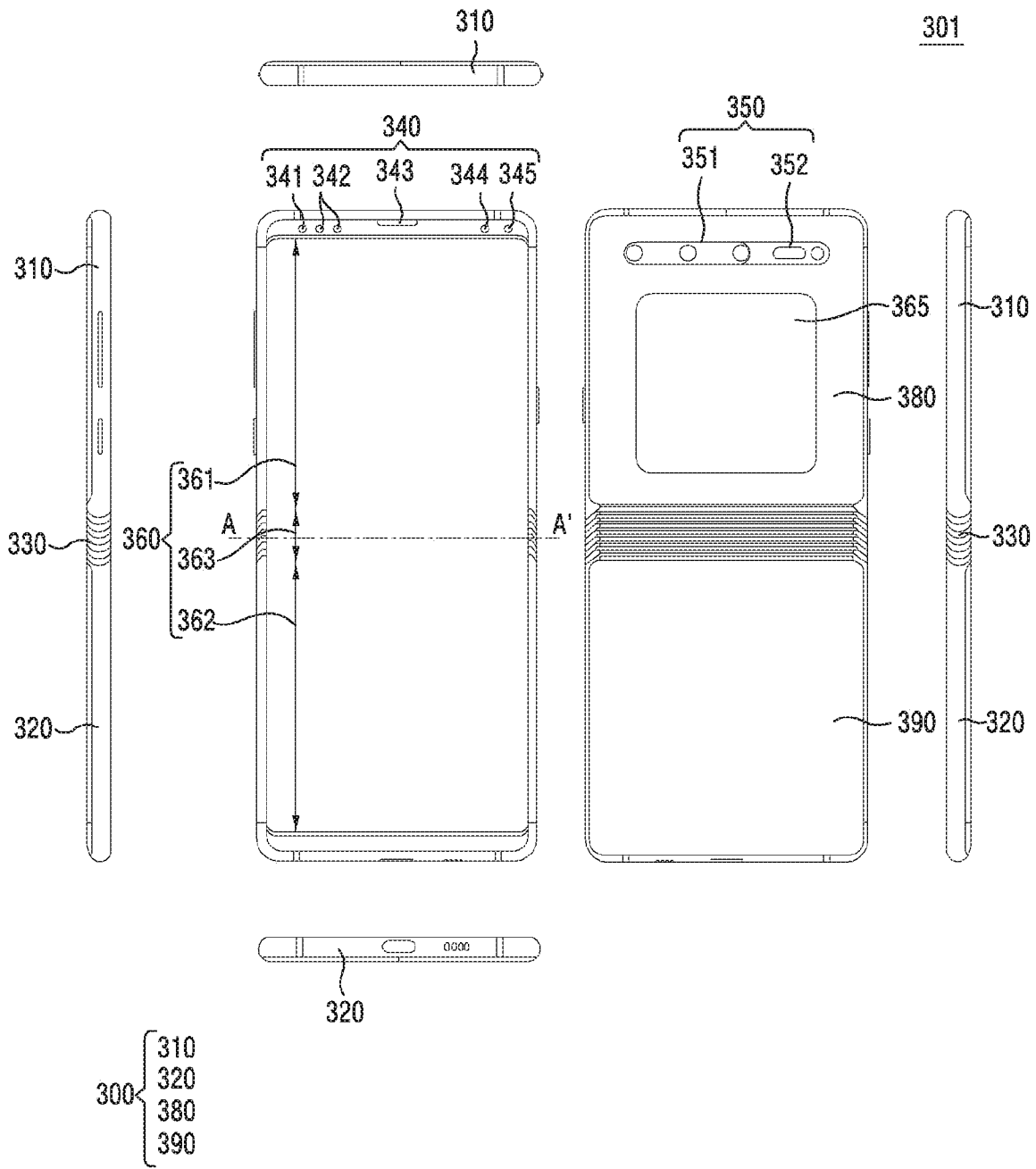


FIG.3A

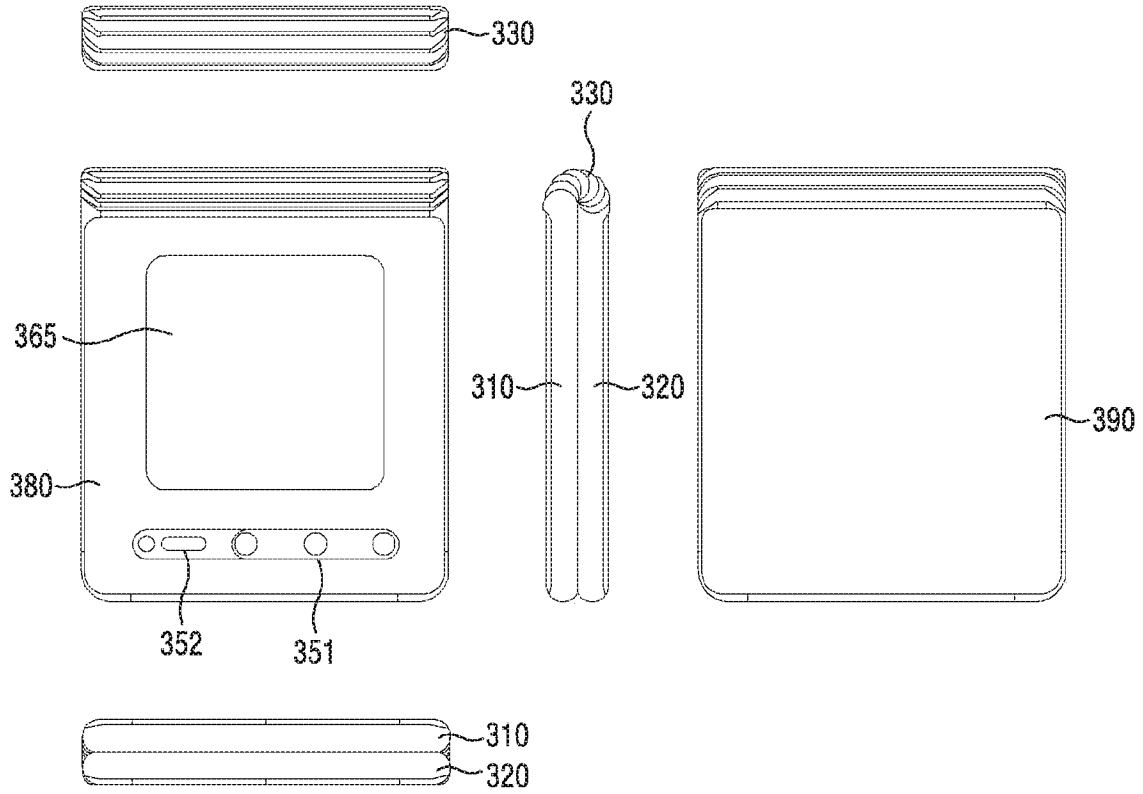


FIG. 3B

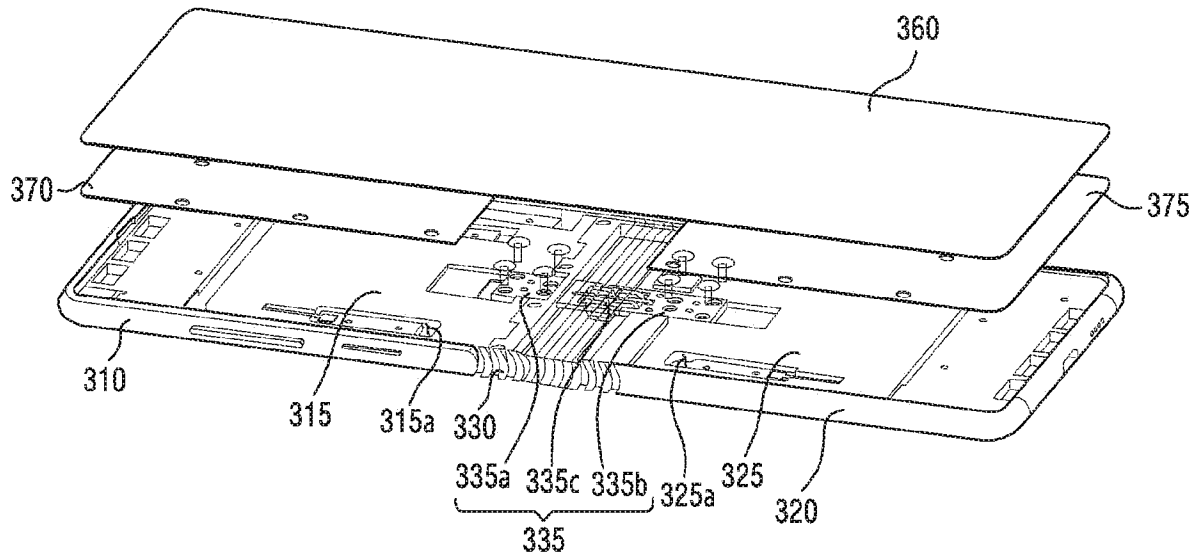


FIG.3C



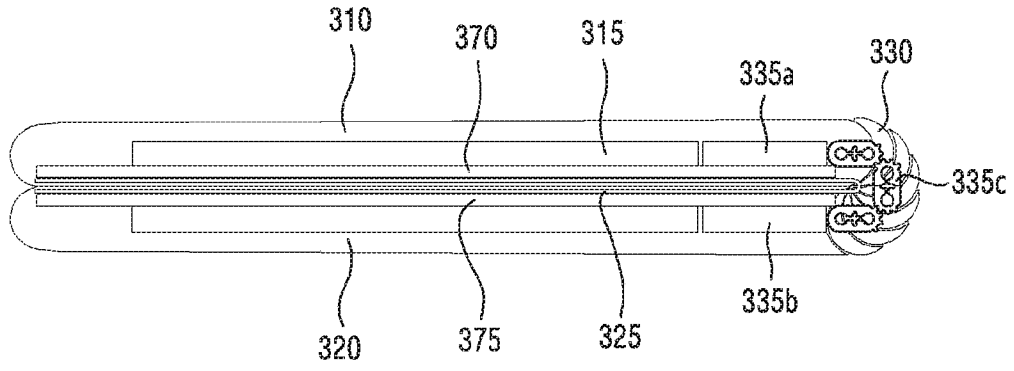


FIG.3D

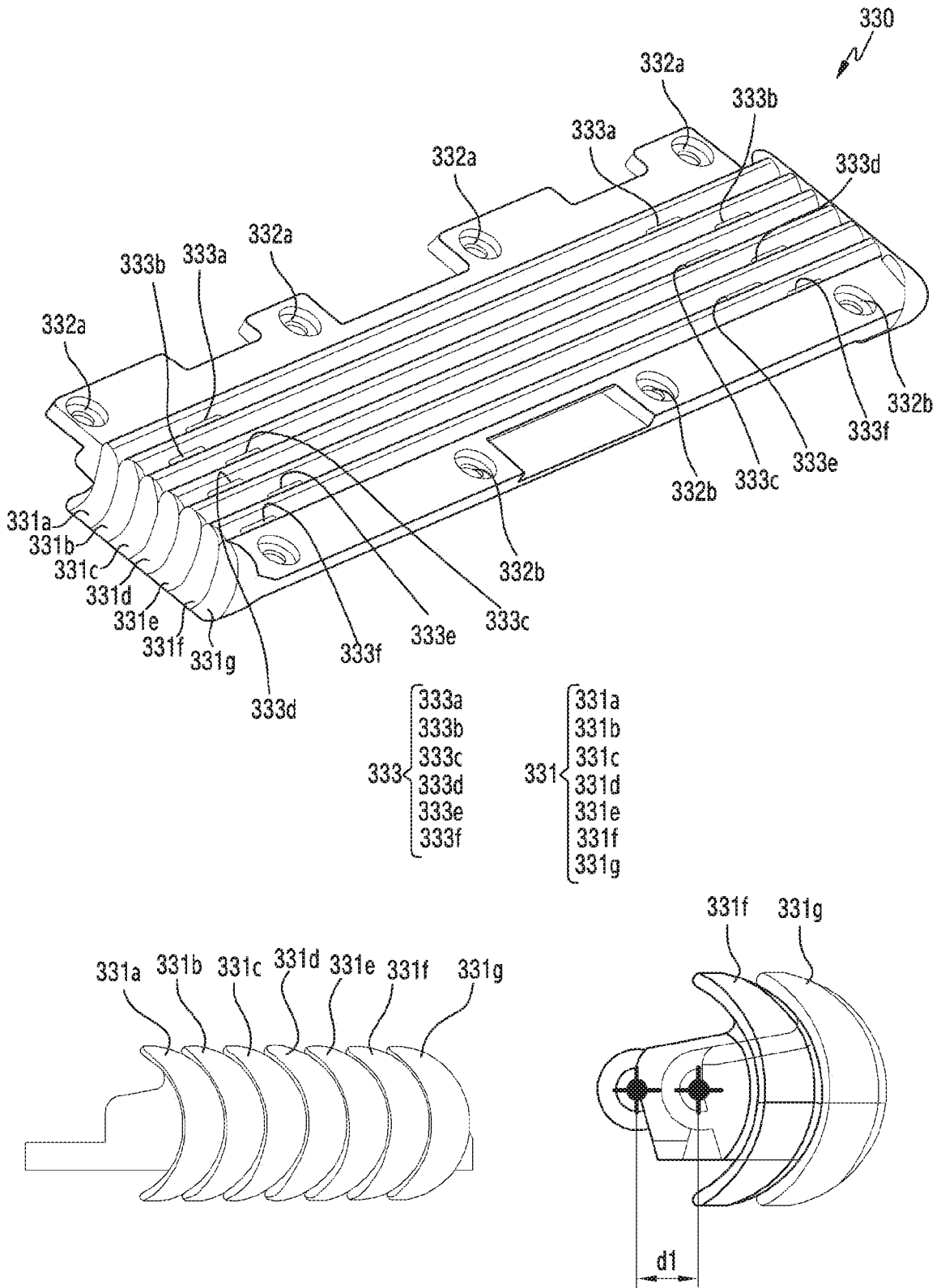


FIG. 4

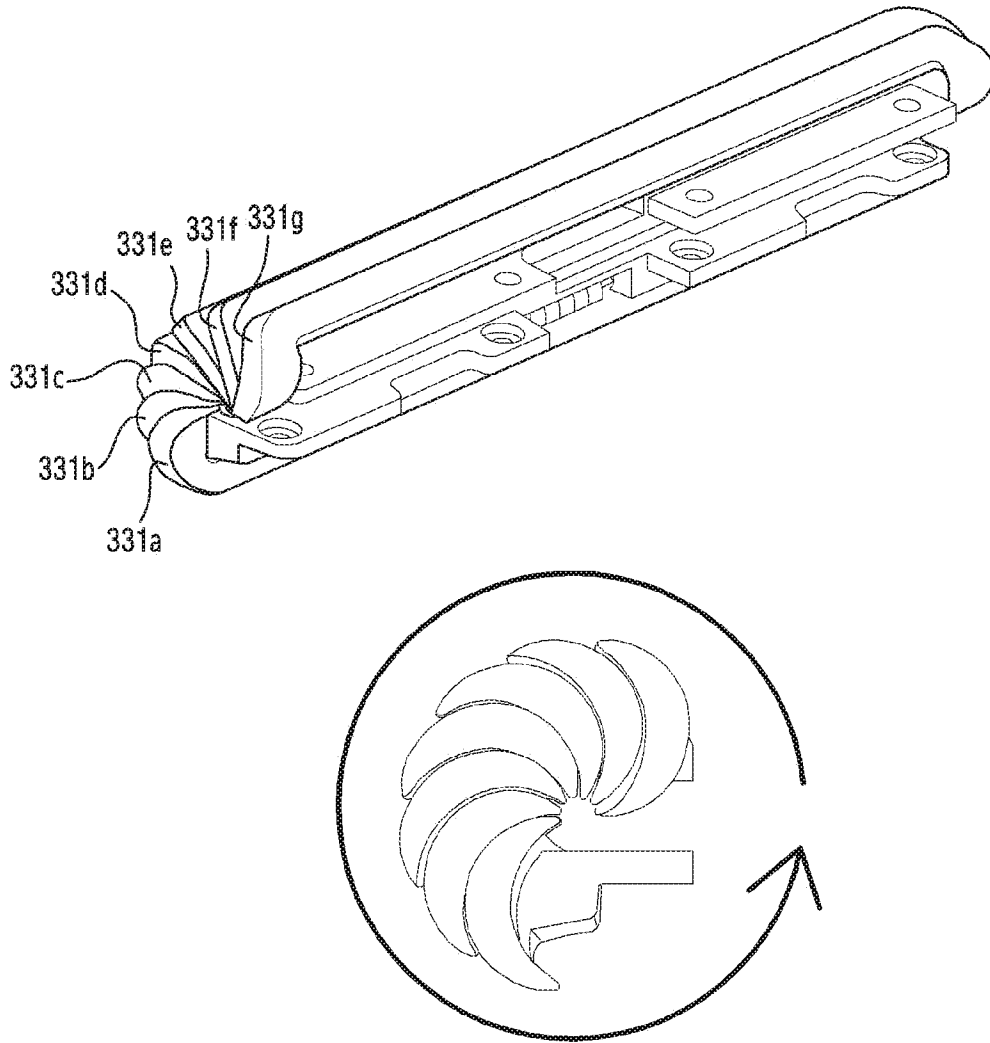


FIG.5

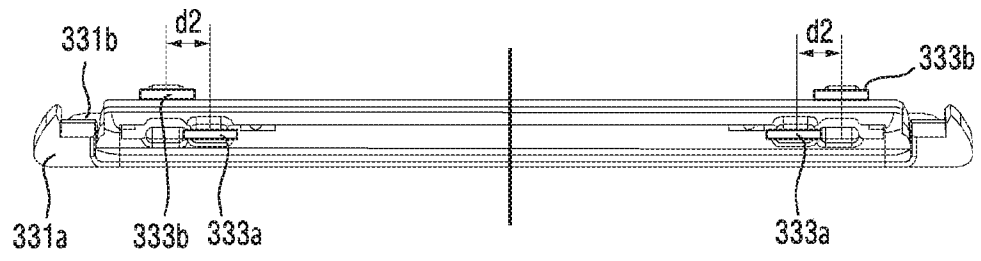


FIG.6

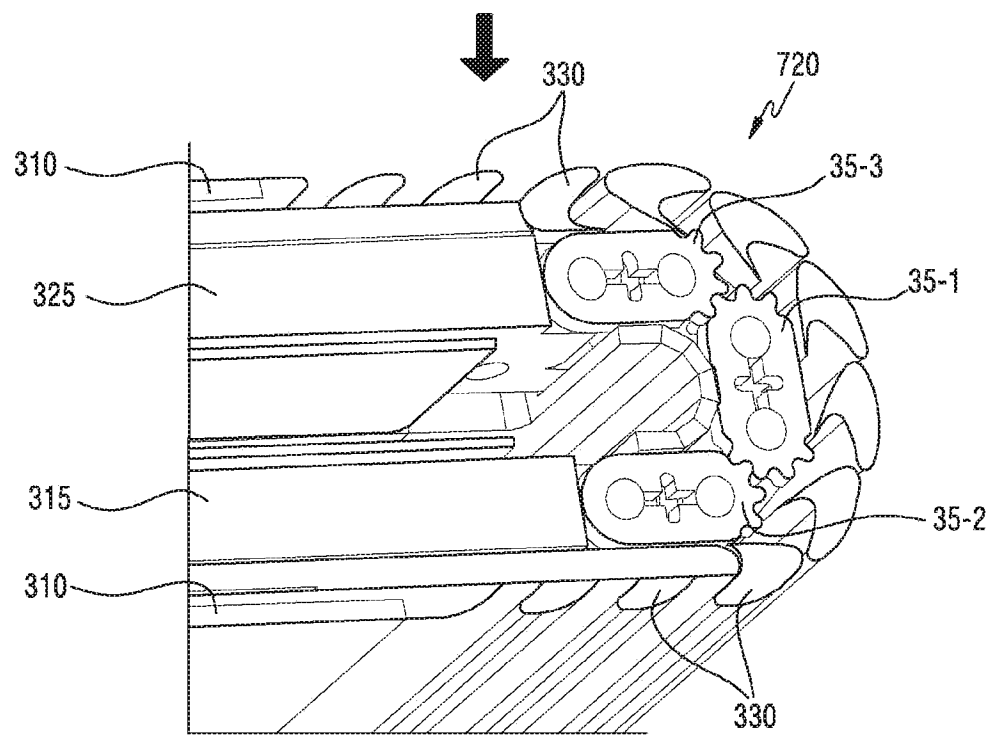
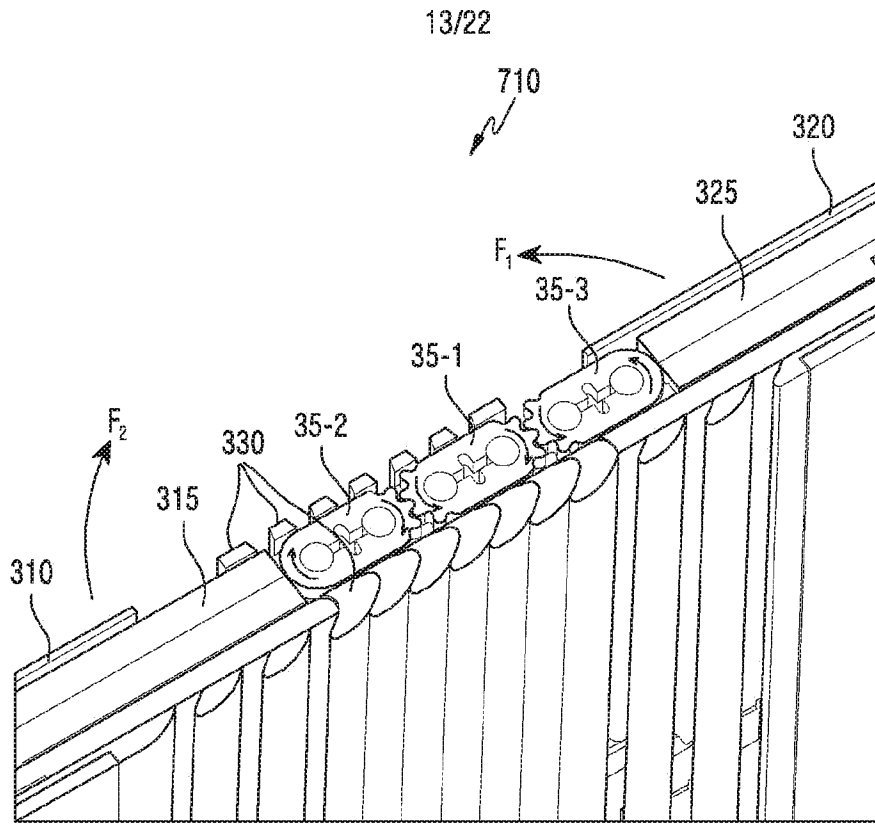
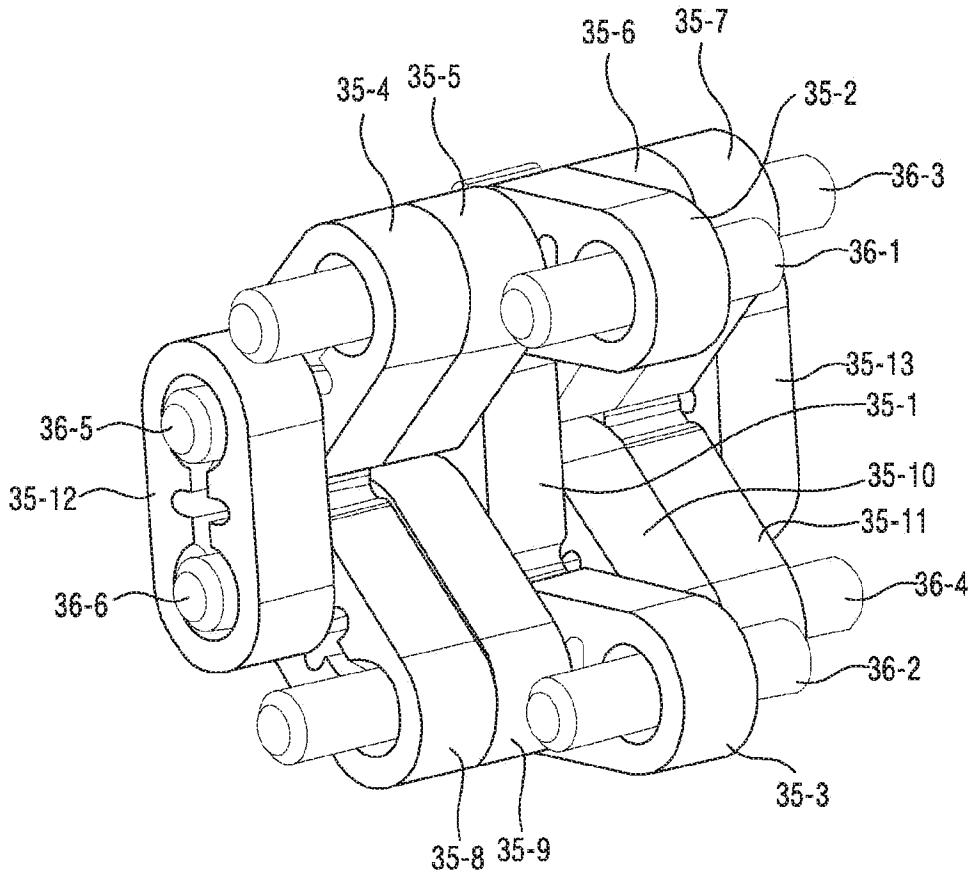


FIG. 7



- |    |   |       |    |   |      |
|----|---|-------|----|---|------|
| 35 | } | 35-1  | 36 | } | 36-1 |
|    |   | 35-2  |    |   | 36-2 |
|    |   | 35-3  |    |   | 36-3 |
|    |   | 35-4  |    |   | 36-4 |
|    |   | 35-5  |    |   | 36-5 |
|    |   | 35-6  |    |   | 36-6 |
|    |   | 35-7  |    |   |      |
|    |   | 35-8  |    |   |      |
|    |   | 35-9  |    |   |      |
|    |   | 35-10 |    |   |      |
|    |   | 35-11 |    |   |      |
|    |   | 35-12 |    |   |      |
|    |   | 35-13 |    |   |      |

FIG.8A

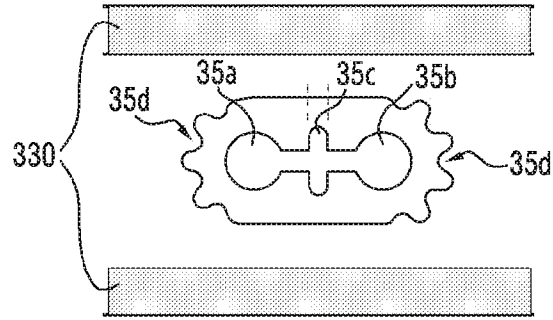


FIG. 8B

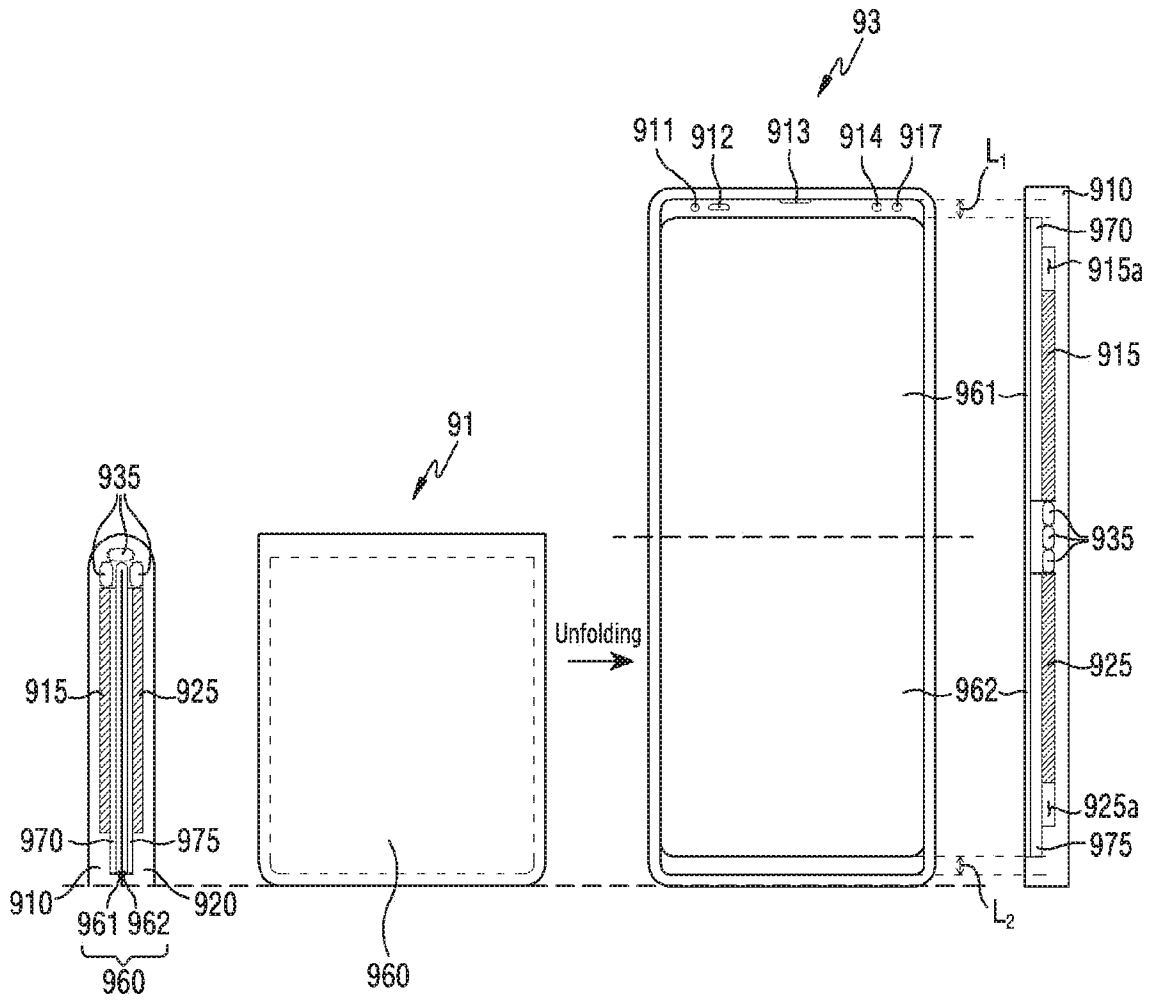


FIG. 9



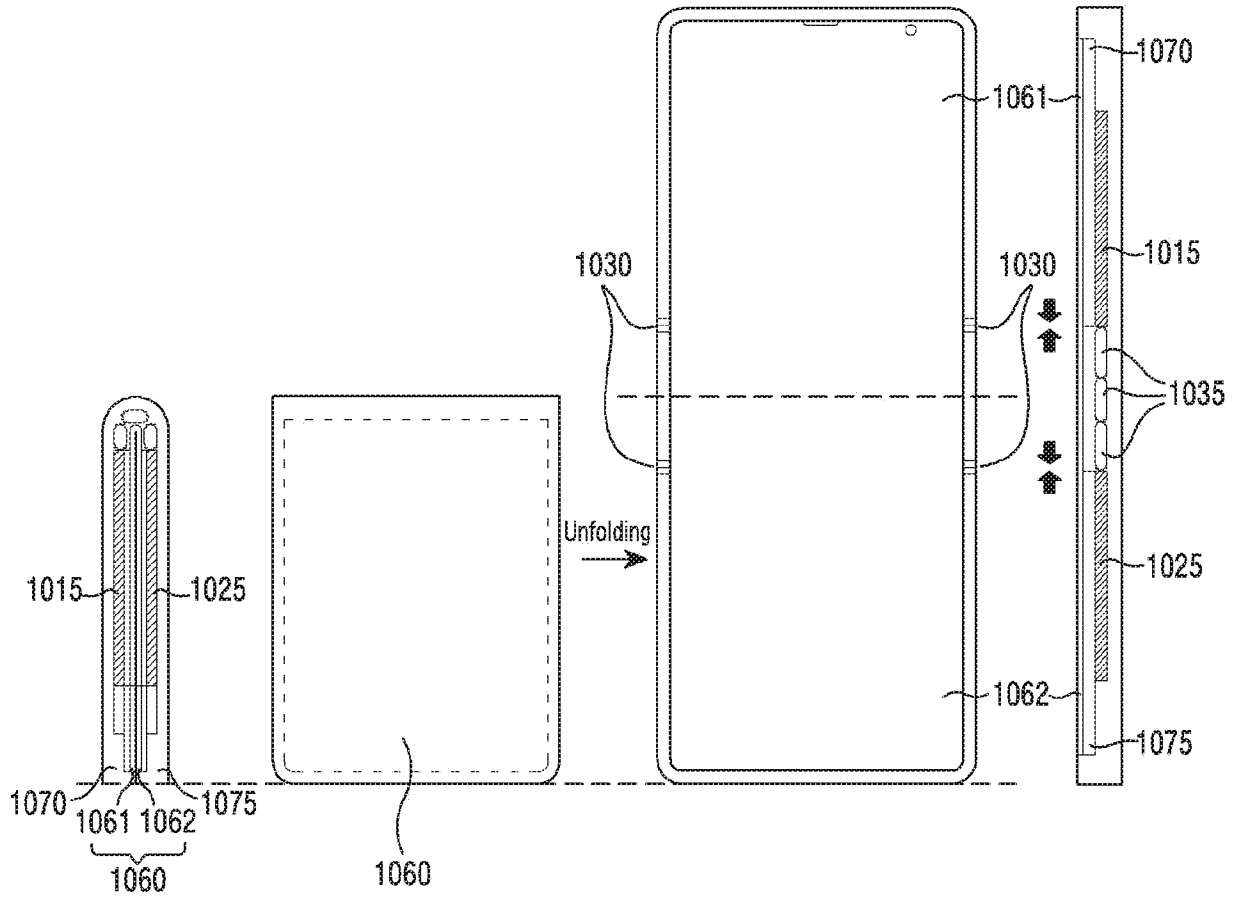


FIG. 10A

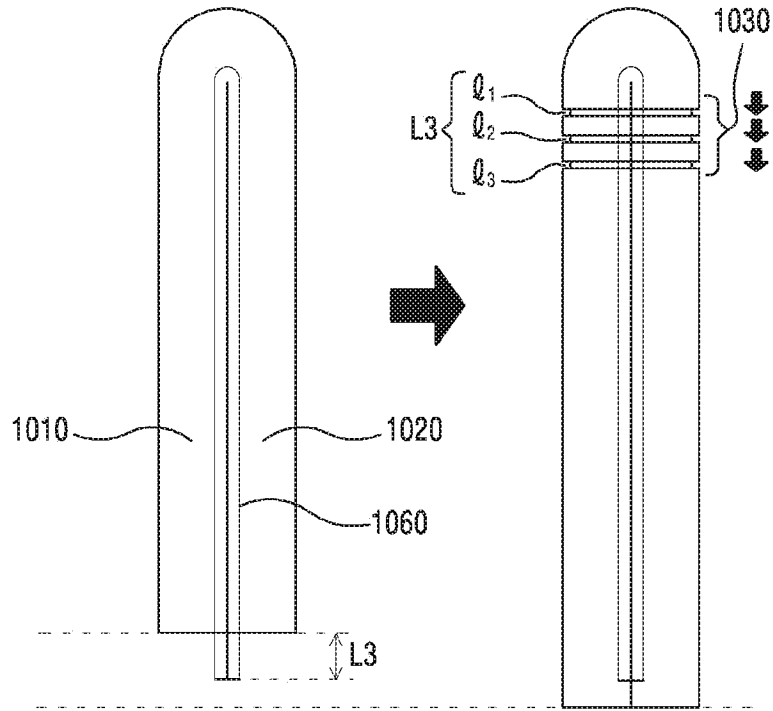


FIG. 10B

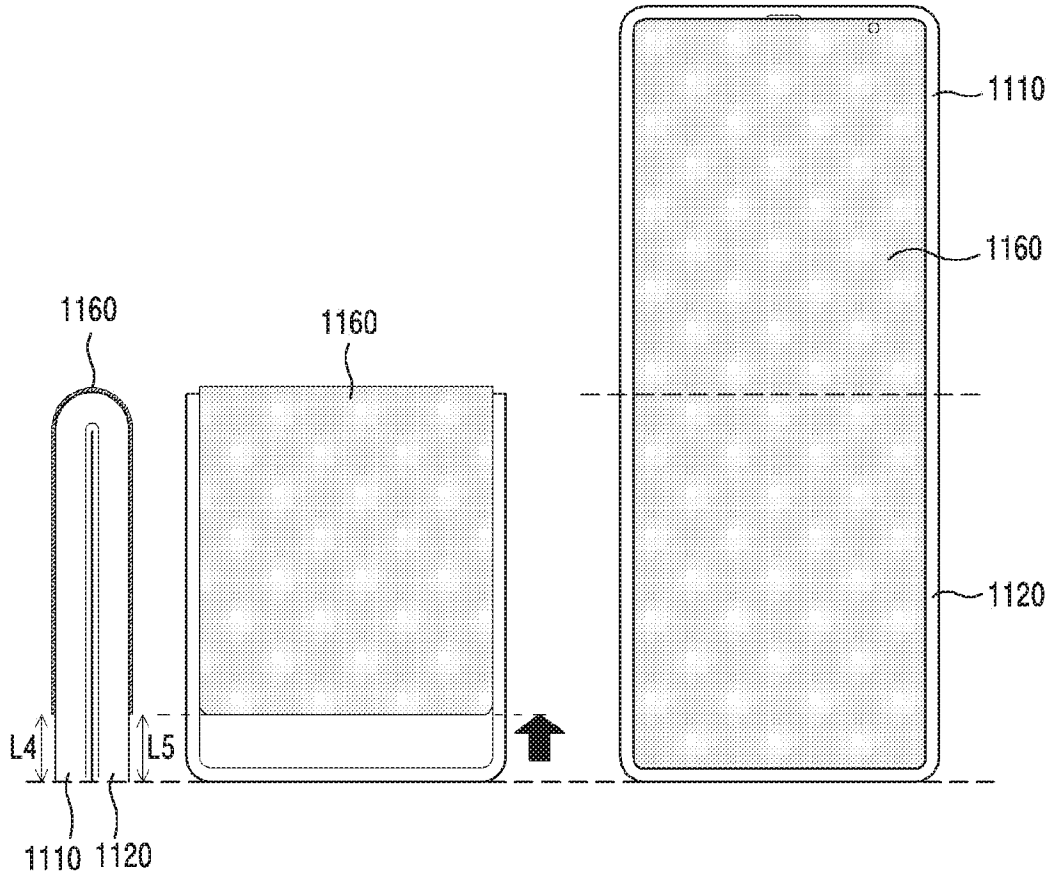


FIG. 11A

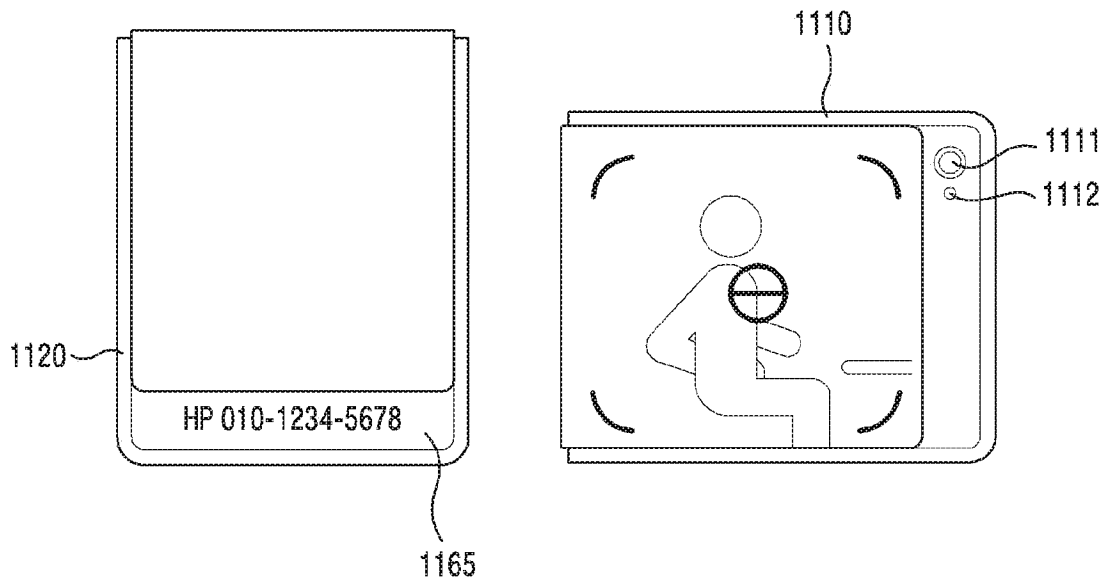


FIG. 11B

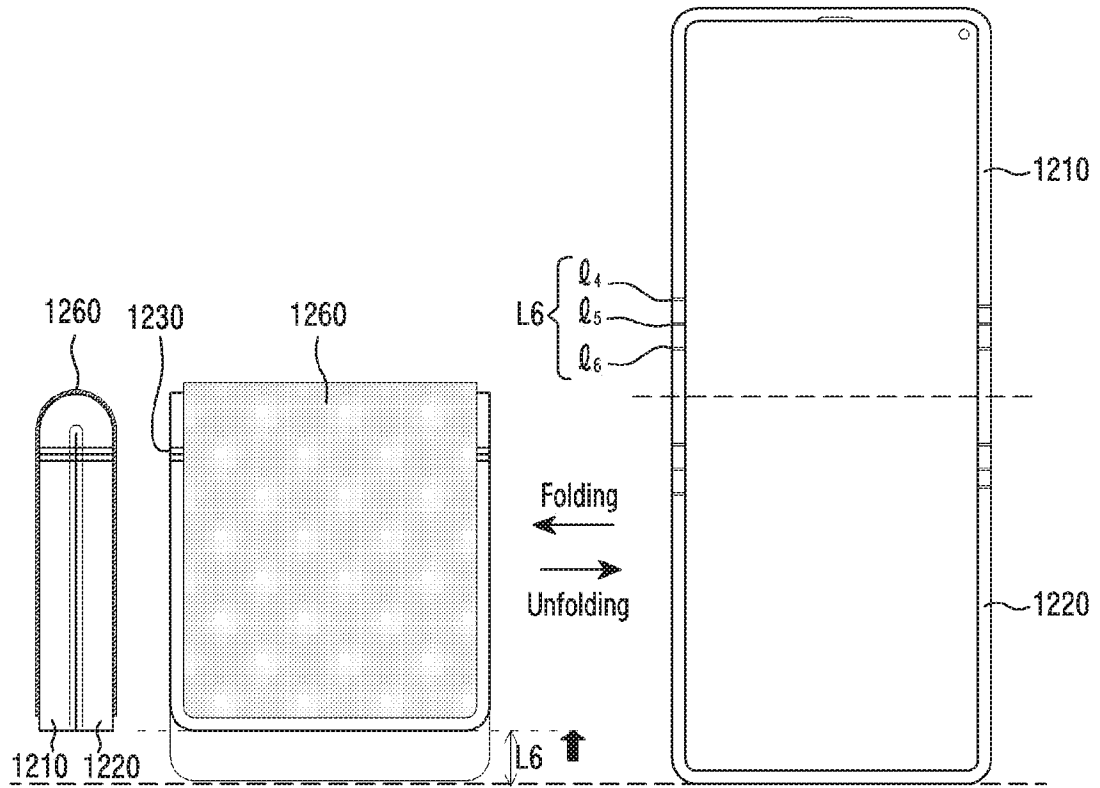


FIG. 12A

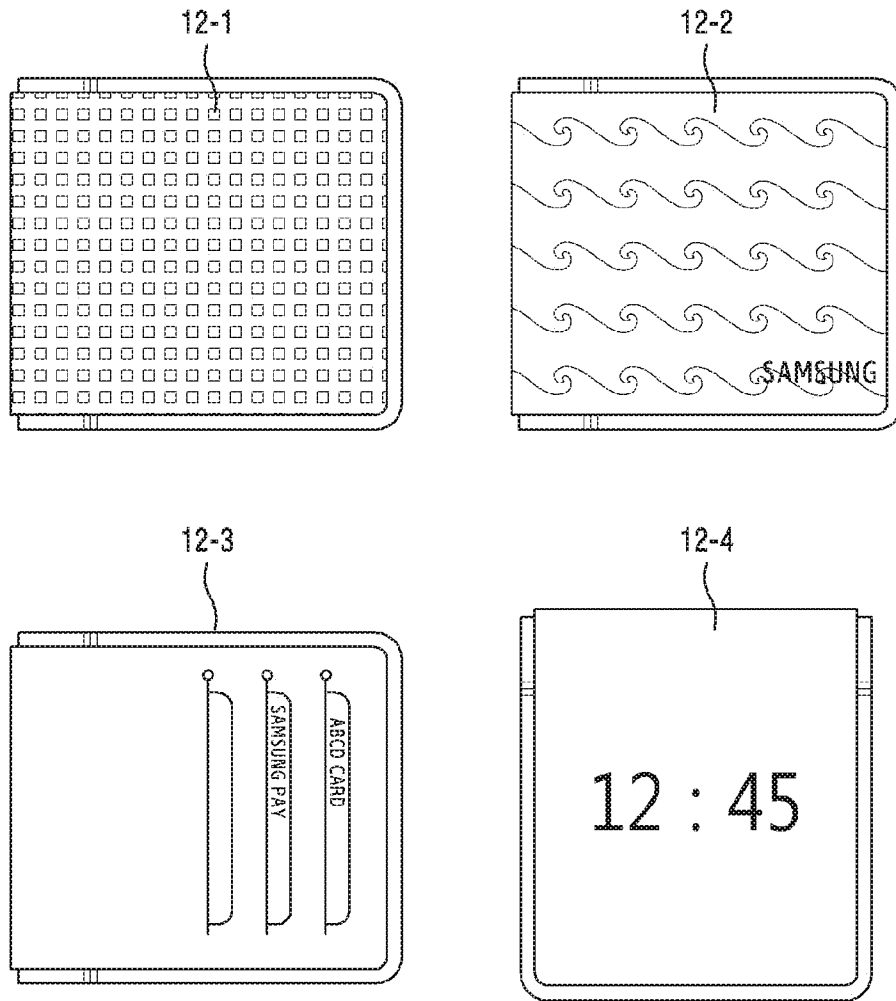


FIG. 12B