



US00D885381S

(12) **United States Design Patent**  
**Hwang**

(10) **Patent No.:** **US D885,381 S**

(45) **Date of Patent:** **\*\* May 26, 2020**

(54) **DISPLAY DEVICE**

FOREIGN PATENT DOCUMENTS

(71) Applicant: **SAMSUNG DISPLAY CO., LTD.**,  
Yongin-si, Gyeonggi-do (KR)

CN 305351882 \* 9/2019  
EM 006254793-0002 \* 3/2019

(Continued)

(72) Inventor: **Seong Jin Hwang**, Suwon-si (KR)

OTHER PUBLICATIONS

(73) Assignee: **Samsung Display Co., Ltd.**, Yongin-si  
(KR)

Samsung's working on a Motorola Razr-like foldable phone, by Joshua Swingle, Posted on Sep. 3, 2019, [online], [site visited Dec. 30, 2019]. [https://www.phonearena.com/news/Samsung-Galaxy-Fold-2-details-leak\\_id118654](https://www.phonearena.com/news/Samsung-Galaxy-Fold-2-details-leak_id118654) (Year: 2019).\*

(Continued)

(\*\*) Term: **15 Years**

(21) Appl. No.: **29/643,667**

(22) Filed: **Apr. 10, 2018**

*Primary Examiner* — Jeffrey D Asch

(74) *Attorney, Agent, or Firm* — Lewis Roca Rothgerber  
Christie LLP

(30) **Foreign Application Priority Data**

Oct. 11, 2017 (KR) ..... 30-2017-0046920

(51) **LOC (12) Cl.** ..... **14-02**

(52) **U.S. Cl.**

USPC ..... **D14/345**; D14/371; D14/138 AB

(58) **Field of Classification Search**

USPC ..... D14/138 AB, 345, 203.4, 138 R, 496,  
D14/341, 138 G, 248, 371, 373, 336;  
D6/301; D21/517; D8/499

CPC ..... H04M 1/0216; H04M 1/0214; H04M  
1/0245; G06F 1/1652

See application file for complete search history.

(57)

**CLAIM**

The ornamental design for a display device, as shown and described.

**DESCRIPTION**

FIG. 1 is a perspective view of the display device in a twice folded state;

FIG. 2 is a front view thereof, with the rear view being a mirror image;

FIG. 3 is a left side view thereof;

FIG. 4 is a right side view thereof;

FIG. 5 is a top view thereof;

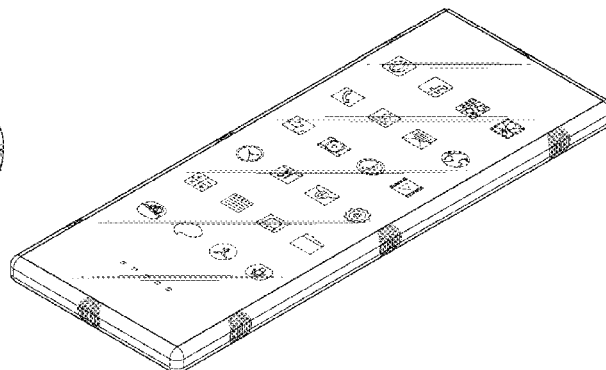
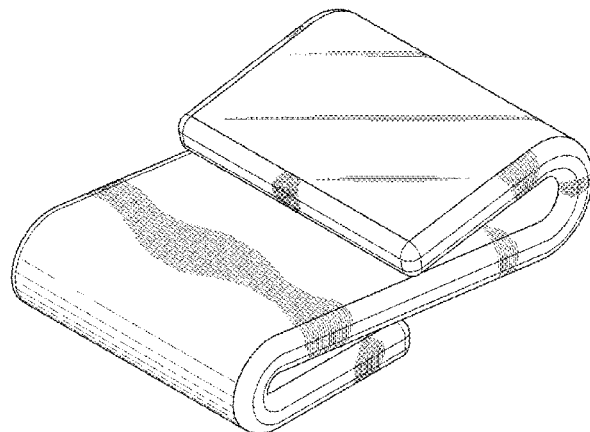
FIG. 6 is a bottom view thereof;

FIG. 7 is a perspective view of the display device in a once folded state; and,

FIG. 8 is a perspective view of the display device in a fully unfolded state, illustrating that images can be displayed on the screen of the display device, but the images are shown for reference only and form no part of the design.

The broken lines shown in the drawings are for illustrative purposes only and form no part of the claimed design.

**1 Claim, 8 Drawing Sheets**



(56)

References Cited

U.S. PATENT DOCUMENTS

D745,516 S 12/2015 Yamazaki et al.  
 D750,036 S 2/2016 Endo et al.  
 D750,064 S 2/2016 Yamazaki et al.  
 D757,723 S 5/2016 Kwak et al.  
 D760,218 S 6/2016 Yamazaki  
 D761,251 S 7/2016 Senda  
 D761,252 S 7/2016 Senda  
 D761,253 S 7/2016 Yamazaki  
 D761,254 S 7/2016 Yamazaki et al.  
 D761,787 S 7/2016 Yamazaki  
 D761,788 S 7/2016 Yamazaki  
 D761,789 S 7/2016 Yamazaki  
 D761,790 S 7/2016 Yamazaki  
 D767,526 S 9/2016 Lee et al.  
 D767,530 S 9/2016 Rae et al.  
 D782,439 S \* 3/2017 Choo ..... D14/138 AA  
 D786,816 S \* 5/2017 Choo ..... D14/138 AA  
 D788,726 S \* 6/2017 Lee ..... D14/138 AB  
 D789,925 S \* 6/2017 Browning ..... D14/341  
 D796,500 S \* 9/2017 Yeom ..... D14/341  
 D804,443 S \* 12/2017 Kang ..... D14/138 AB  
 D814,435 S \* 4/2018 Kwon ..... D14/138 AB  
 D825,518 S \* 8/2018 Kikuchi ..... D14/138 AB  
 D828,321 S \* 9/2018 Yeom ..... D14/138 AB  
 10,151,424 B2 \* 12/2018 Hong ..... F16M 13/00  
 10,257,929 B2 \* 4/2019 Lim ..... G04G 21/08  
 D859,341 S \* 9/2019 Kang ..... D14/138 AB  
 D859,347 S \* 9/2019 Kwon ..... D14/138 AB  
 D859,349 S \* 9/2019 Yeom ..... D14/138 AB  
 10,504,488 B2 \* 12/2019 Chun ..... G06F 1/1652  
 2013/0222998 A1 \* 8/2013 Cho ..... G06F 1/1601  
 361/679.27  
 2014/0049464 A1 \* 2/2014 Kwak ..... G06F 3/0487  
 345/156  
 2014/0098034 A1 \* 4/2014 Hack ..... G06F 1/1677  
 345/173  
 2014/0126133 A1 \* 5/2014 Griffin ..... G06F 1/1616  
 361/679.27  
 2014/0218321 A1 8/2014 Lee et al.  
 2014/0226275 A1 \* 8/2014 Ko ..... G06F 1/1626  
 361/679.27  
 2014/0247252 A1 \* 9/2014 Lee ..... G06F 1/1641  
 345/204  
 2014/0320396 A1 \* 10/2014 Modarres ..... G06F 3/0414  
 345/156  
 2014/0321072 A1 10/2014 Cavallaro et al.  
 2015/0062025 A1 \* 3/2015 Lee ..... G06F 3/0412  
 345/173  
 2015/0109544 A1 4/2015 Yeo et al.  
 2015/0146386 A1 5/2015 Namkung et al.  
 2015/0146387 A1 5/2015 Lee  
 2015/0207102 A1 \* 7/2015 Jeong ..... H01L 51/5256  
 257/40

2015/0317007 A1 \* 11/2015 Yanagawa ..... G06F 1/1652  
 463/37  
 2015/0346866 A1 \* 12/2015 Kusunoki ..... G06F 3/044  
 345/174  
 2015/0370287 A1 \* 12/2015 Ko ..... G06F 1/1626  
 361/749  
 2015/0373480 A1 \* 12/2015 Park ..... G06F 1/1652  
 715/748  
 2016/0048170 A1 \* 2/2016 Kim ..... G06F 1/1626  
 345/173  
 2016/0147362 A1 \* 5/2016 Eim ..... G06F 1/1641  
 345/173  
 2016/0157822 A1 \* 6/2016 Jin ..... A61B 8/14  
 600/443  
 2016/0187994 A1 \* 6/2016 La ..... G06F 1/1652  
 345/619  
 2016/0246330 A1 \* 8/2016 Kim ..... G06F 1/1652  
 2016/0259514 A1 \* 9/2016 Sang ..... G06F 3/04817  
 2016/0291642 A1 \* 10/2016 Kwak ..... G06F 1/1692  
 2016/0324023 A1 \* 11/2016 Kim ..... G06F 1/1624  
 2017/0075389 A1 \* 3/2017 Yeom ..... G06F 1/1652  
 2017/0102738 A1 \* 4/2017 Park ..... G06F 1/1652  
 2017/0110786 A1 \* 4/2017 Liu ..... G06F 1/1641  
 2017/0177130 A1 \* 6/2017 Endo ..... G06F 1/1652  
 2017/0277319 A1 \* 9/2017 Qiu ..... H04M 1/0216  
 2017/0293383 A1 \* 10/2017 Lee ..... G06F 3/048  
 2017/0344120 A1 \* 11/2017 Zuniga ..... G06F 1/1649  
 2017/0345365 A1 \* 11/2017 Li ..... G09G 3/3225  
 2018/0039387 A1 \* 2/2018 Cheong ..... G06F 3/04883  
 2018/0164852 A1 \* 6/2018 Lim ..... H04M 1/0214  
 2018/0210508 A1 \* 7/2018 Aurongzeb ..... G06F 1/1669  
 2018/0217639 A1 \* 8/2018 Jones ..... H05K 1/0306  
 2018/0314299 A1 \* 11/2018 Xia ..... G09F 9/30  
 2018/0342192 A1 \* 11/2018 Lee ..... G09G 3/2092  
 2018/0356859 A1 \* 12/2018 Hamburguen ..... G06F 1/1616  
 2019/0245955 A1 \* 8/2019 Lee ..... G06F 1/1616

FOREIGN PATENT DOCUMENTS

KR 10-2016-0004316 1/2016  
 KR 10-2016-0025888 3/2016  
 KR 10-2016-0055416 5/2016  
 KR 10-2016-0074815 6/2016  
 KR 10-2016-0080034 7/2016  
 KR 10-2016-0103599 9/2016  
 KR 301020461.0000 \* 8/2019

OTHER PUBLICATIONS

Top foldable phones: Motoso;a Razr, Galaxy Fold, Huawei Mate X and more, by Lynn La, Posted on Nov. 28, 2019, [online], [ site visited Dec. 30, 2019]. Retrieved from url:https://www.cnet.com/news/forget-the-password-to-your-mac-heres-how-to-get-back-into-your-locked-down-computer/ (Year: 2019).\*

\* cited by examiner

FIG. 1

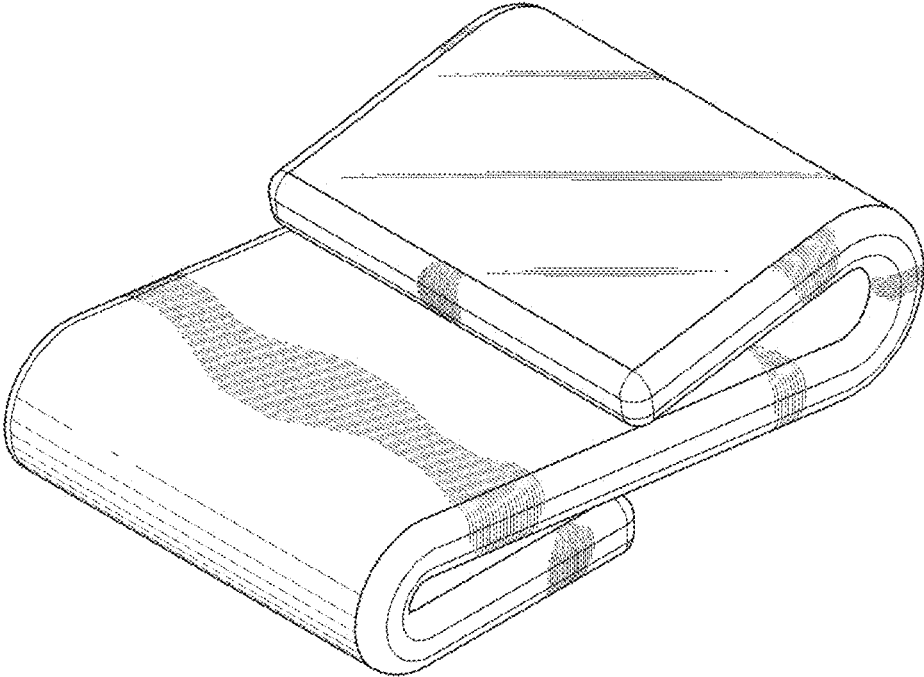


FIG. 2

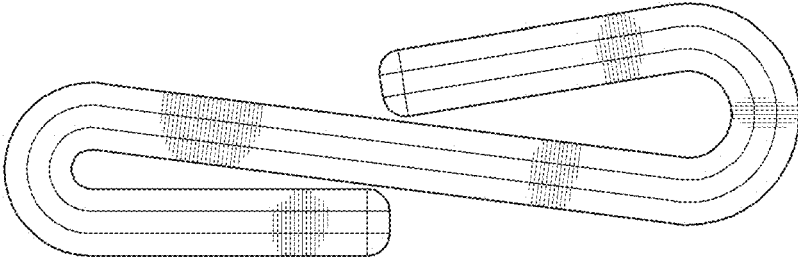


FIG. 3

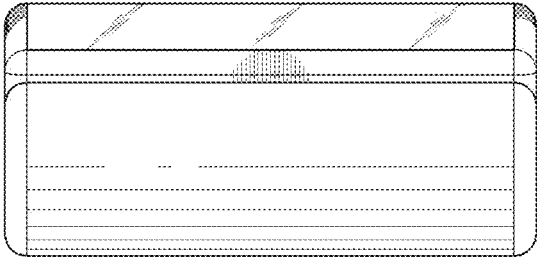


FIG. 4

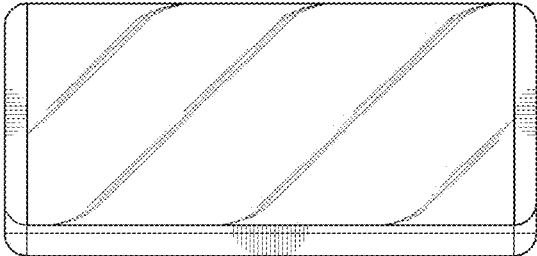


FIG. 5

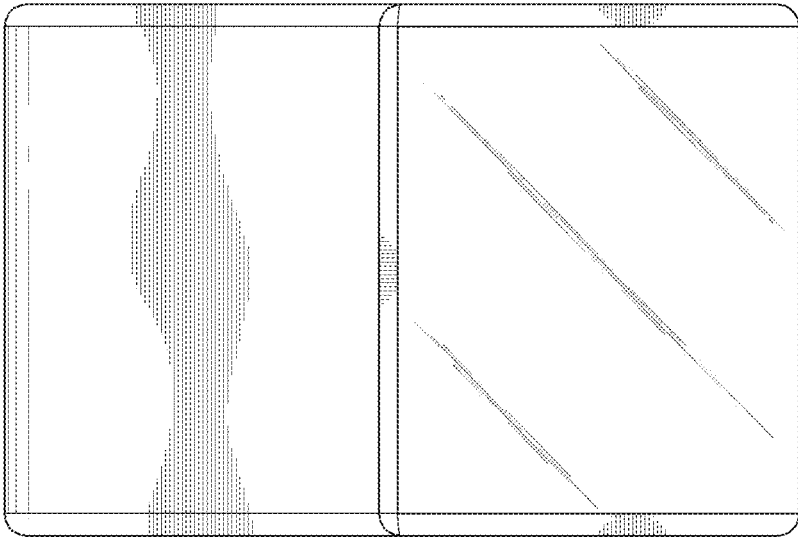


FIG. 6

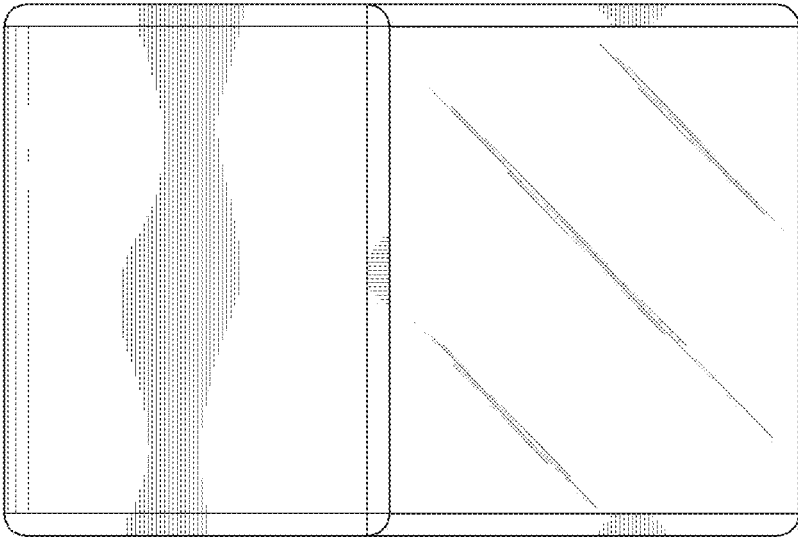




FIG. 7

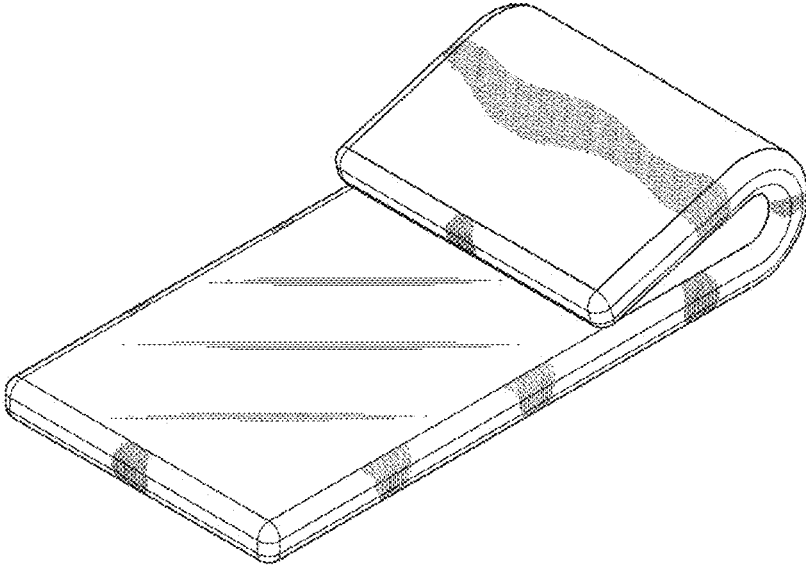


FIG. 8

