

1. CN110162197 - HANDWRITING PEN, ELECTRONIC EQUIPMENT AND CONTROL METHOD THEREOF

[National Biblio. Data](#) [Description](#) [Claims](#) [Drawings](#) [Documents](#)

[PermaLink](#) [Machine translation](#) ▼

Office

China

Application Number

201910381715.9

Application Date

08.05.2019

Publication Number

110162197

Publication Date

23.08.2019

Publication Kind

A

IPC

G06F 3/0354

H04R 9/06

H04R 9/10

Applicants

OPPO GUANGDONG MOBILE TELECOMMUNICATIONS CO., LTD.

OPPO广东移动通信有限公司

Inventors

WANG JIANHONG

王金虹

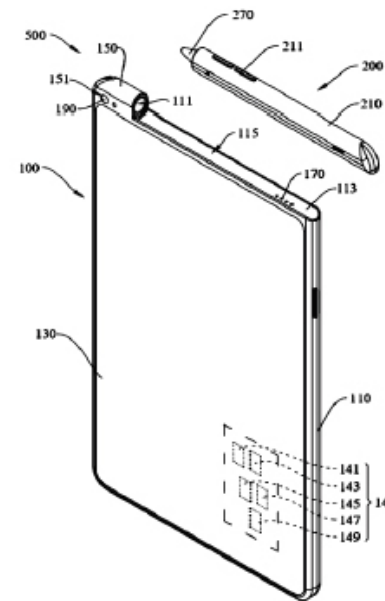
Agents

深圳市智圈知识产权代理有限公司[普通合伙] 44351

Title

[EN] Handwriting pen, electronic equipment and control method thereof

[ZH] 手写笔、电子设备及其控制方法



Abstract

[EN]

The invention provides a handwriting pen, electronic equipment and a control method of the electronic equipment, the electronic equipment comprises a first electronic component and a second electronic component, and the first electronic component is provided with an accommodating hole and a power supply contact. The second electronic component is detachably connected to the first electronic component; the second electronic component is at least partially accommodated in the accommodating hole. The second electronic component comprises a main body, an electroacoustic device and a first communication module. The main body is provided with a key and a receiving contact; when the second electronic component is accommodated in the accommodating hole, the receiving contact is electrically connected with the power supply contact, and the first electronic component can charge the second electronic component through the power supply contact and the receiving contact; the electroacoustic device and the first communication module are arranged on the main body; the first communication module is in communication connection with the first electronic component. According to the electronic equipment, after the second electronic component and the first electronic component are separated by a user, conversation is achieved by means of the electroacoustic device of the second electronic component and the first communication module, and the burden of long-time hand-held electronic equipment conversation of the user is reduced.