



US00D867460S

(12) **United States Design Patent** (10) **Patent No.:** **US D867,460 S**  
**Yan et al.** (45) **Date of Patent:** **\*\* Nov. 19, 2019**

(54) **GAME CONTROLLER HAVING A GAME CONTROLLER TOUCHPAD**  
(71) Applicant: **Intel Corporation**, Santa Clara, CA (US)  
(72) Inventors: **Jie Yan**, Shenzhen (CN); **La Hung Richard Shih**, Shenzhen (CN)  
(73) Assignee: **Intel Corporation**, Santa Clara, CA (US)

D659,693 S \* 5/2012 TerMeer ..... D14/342  
D690,692 S \* 10/2013 Shin ..... D14/341  
D691,132 S \* 10/2013 Sharma ..... D14/341  
D692,420 S \* 10/2013 McManigal ..... D14/341  
D705,775 S \* 5/2014 Canizares ..... D14/341  
D714,286 S \* 9/2014 Kim ..... D14/341  
D718,818 S \* 12/2014 Sumii ..... D14/401  
D724,582 S \* 3/2015 Kim ..... D14/341  
D733,802 S \* 7/2015 Burgess ..... D14/401  
D740,288 S \* 10/2015 O'Donnell, Sr. .... D14/401

(Continued)

*Primary Examiner* — Sandra S Snapp  
*Assistant Examiner* — Mehri F Bajoul  
(74) *Attorney, Agent, or Firm* — Hanley, Flight and Zimmerman, LLC

(\*\*) Term: **15 Years**  
(21) Appl. No.: **29/641,867**  
(22) Filed: **Mar. 26, 2018**

(30) **Foreign Application Priority Data**  
Jan. 9, 2018 (CN) ..... 2018-3-000879

(51) **LOC (12) Cl.** ..... **21-01**  
(52) **U.S. Cl.**  
USPC ..... **D21/333**

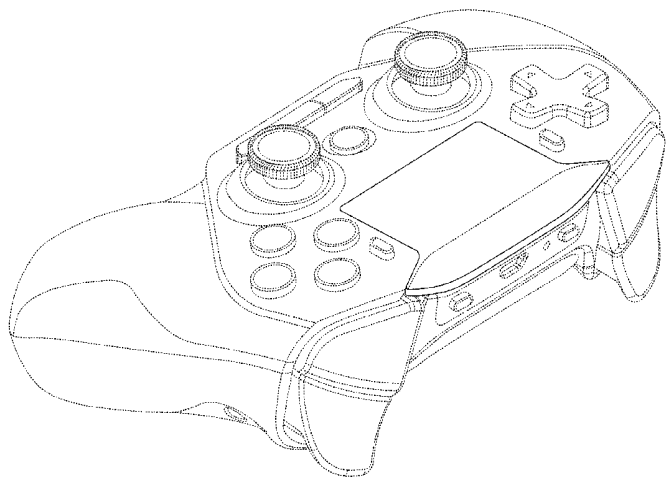
(58) **Field of Classification Search**  
USPC ..... D21/324, 333; D14/160, 137, 138, 168, D14/174, 217, 218, 356, 387, 388, 389, D14/399-401, 412-416, 443, 449, 450, D14/454, 471, 474, 483, 496, 511; D12/174, 177, 190, 218; D13/164-168; D18/19; 273/148 B; 463/1, 29-39, 46, 463/47; 345/156-161, 905  
CPC ..... A63F 13/24; A63F 13/02; A63F 13/06; A63F 9/24; A63F 9/00; A63F 11/00; G06F 17/00; G06F 19/00; G06F 1/1666; H04N 21/00; H04N 7/14  
See application file for complete search history.

(56) **References Cited**  
U.S. PATENT DOCUMENTS  
D321,172 S \* 10/1991 Moore, IV ..... D14/389  
D565,668 S \* 4/2008 Baseflug ..... D14/401

(57) **CLAIM**  
The ornamental design for a game controller having a game controller touchpad, as shown and described.

**DESCRIPTION**  
FIG. 1 is a top, front, right perspective view of a game controller having a game controller touchpad.  
FIG. 2 is a bottom, front, right perspective view thereof;  
FIG. 3 is a front elevation view thereof;  
FIG. 4 is a rear elevation view thereof;  
FIG. 5 is a top plan view thereof;  
FIG. 6 is a bottom plan view thereof;  
FIG. 7 is a right side elevation view thereof;  
FIG. 8 is a left side elevation view thereof;  
FIG. 9 is an exploded front elevation view of the game controller having a game controller touchpad; and,  
FIG. 10 is a rear elevation view of the game controller touchpad with the game controller removed for ease of illustration.  
The broken lines shown in the drawings depict portions of the game controller having a game controller touchpad that form no part of the claimed design.

**1 Claim, 10 Drawing Sheets**



(56)

**References Cited**

U.S. PATENT DOCUMENTS

D745,001	S	*	12/2015	Cho	.....	D14/341
D748,630	S	*	2/2016	Helwig	.....	D14/389
D767,038	S	*	9/2016	Kujawski	.....	D14/401
D770,568	S	*	11/2016	Kujawski	.....	D14/401
D775,602	S	*	1/2017	Lee	.....	D14/138 AB
D785,624	S	*	5/2017	Kujawski	.....	D14/401
D786,254	S	*	5/2017	Yum	.....	D14/138 G
D824,383	S	*	7/2018	Wall	.....	D14/341
D827,646	S	*	9/2018	Mitchell	.....	D14/389
D831,641	S	*	10/2018	Wall	.....	D14/341
D852,794	S	*	7/2019	Huebner	.....	D14/341
2011/0048755	A1	*	3/2011	Su	.....	H05K 5/0243 174/50

\* cited by examiner

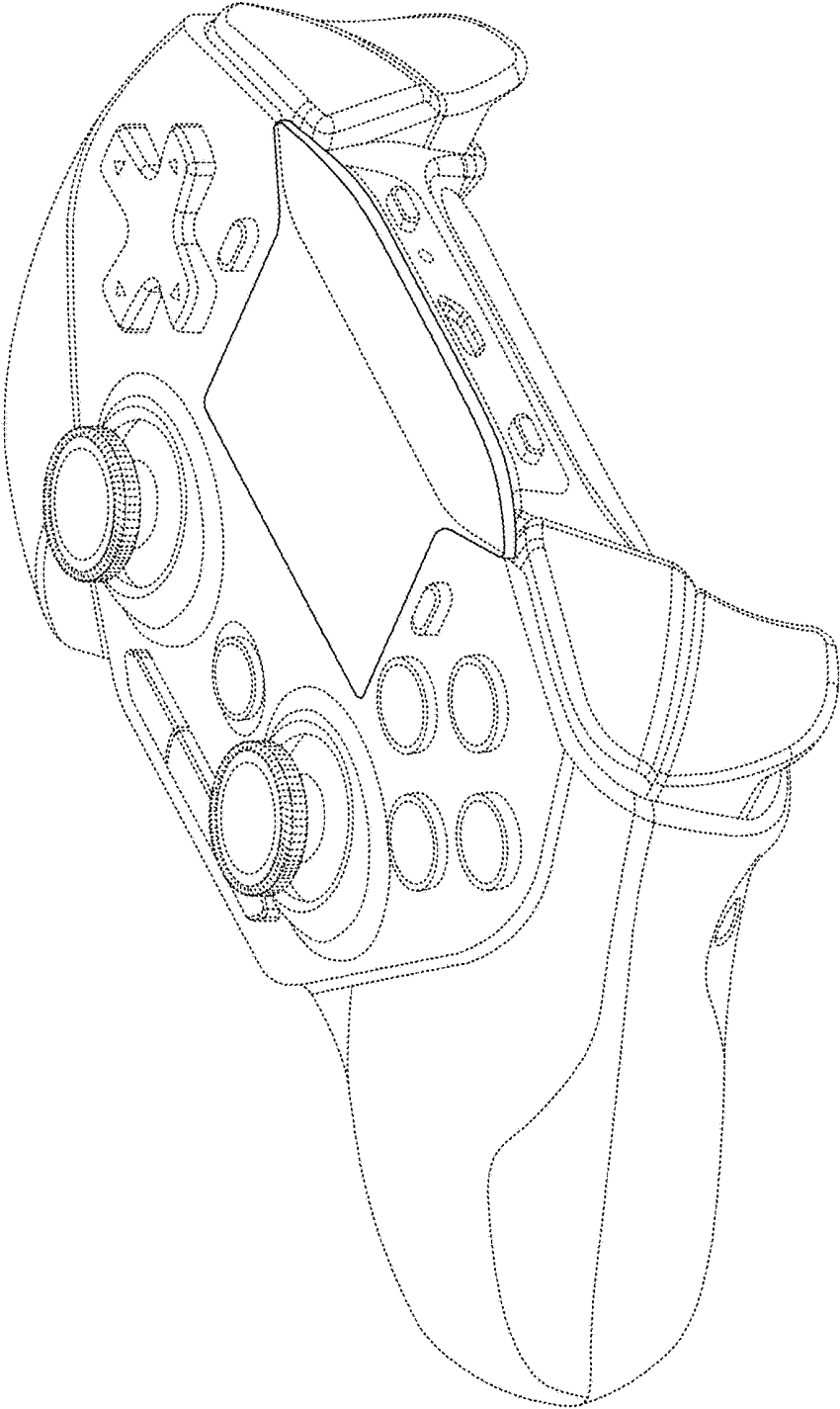
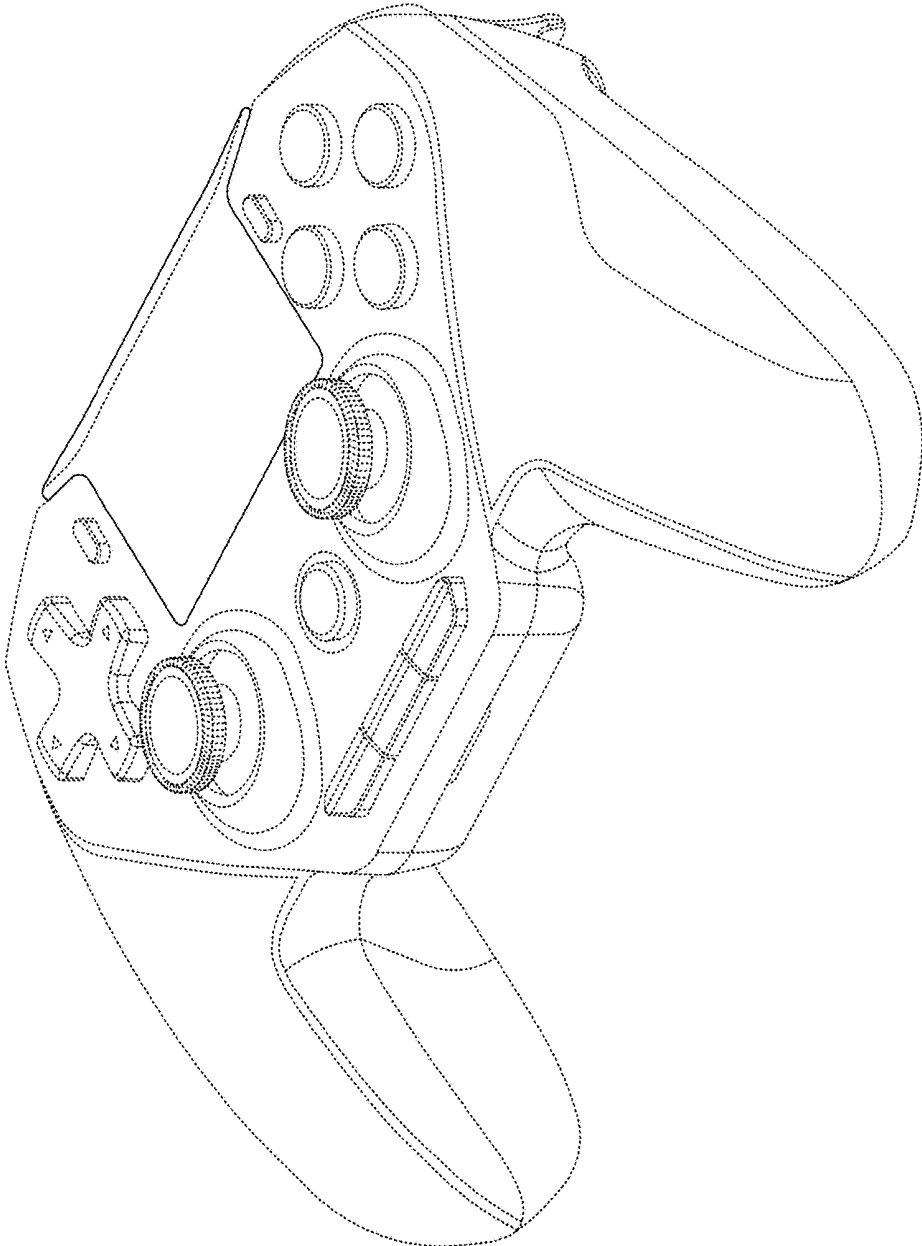


FIG. 1

FIG. 2



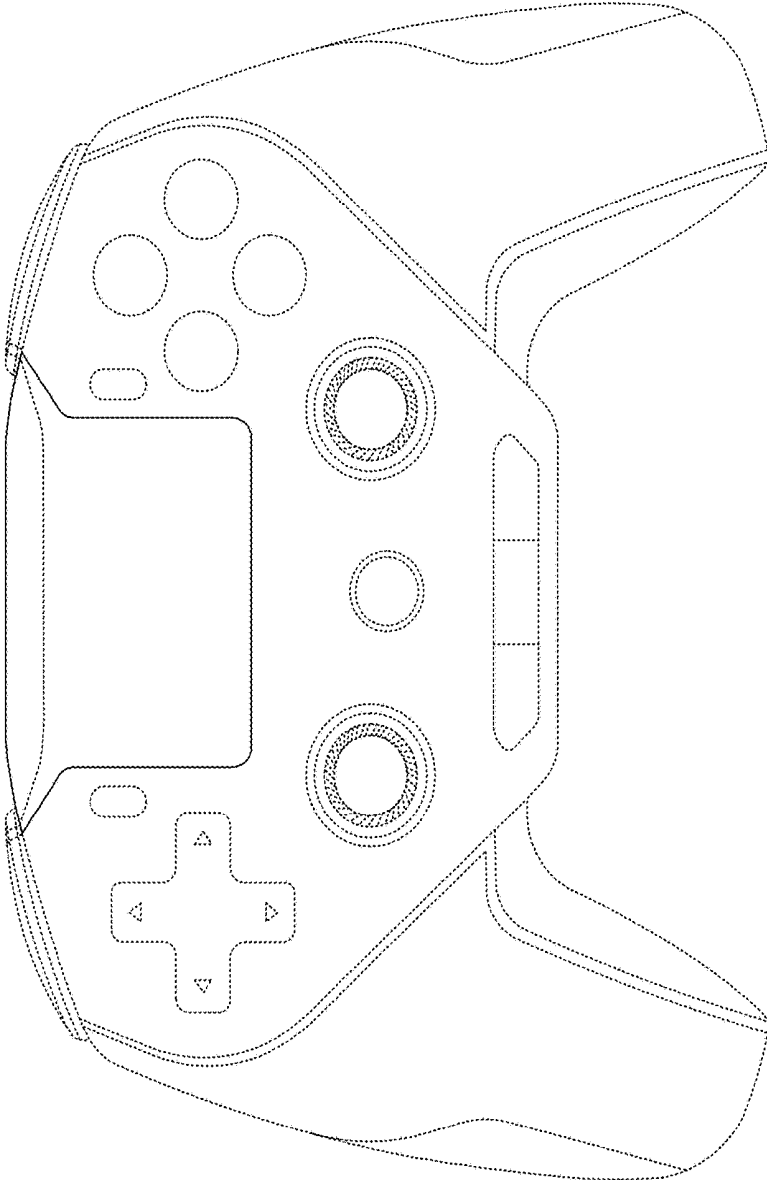


FIG. 3

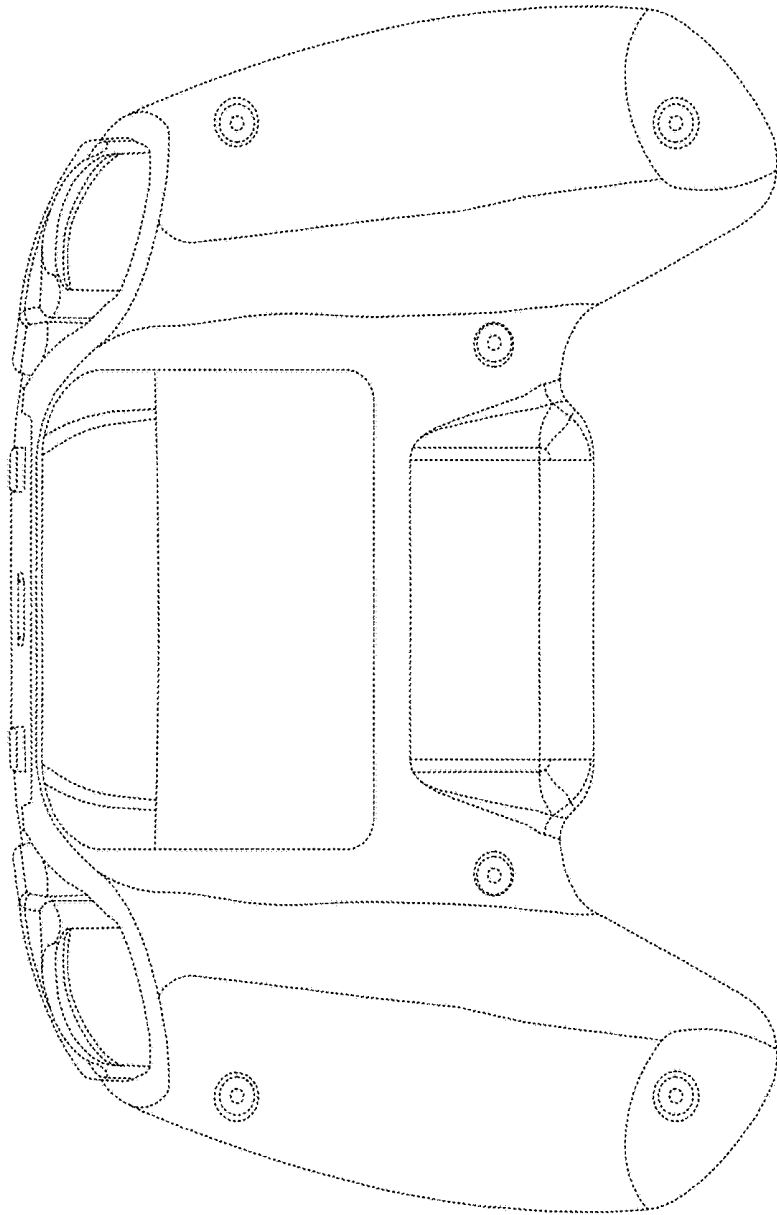


FIG.4

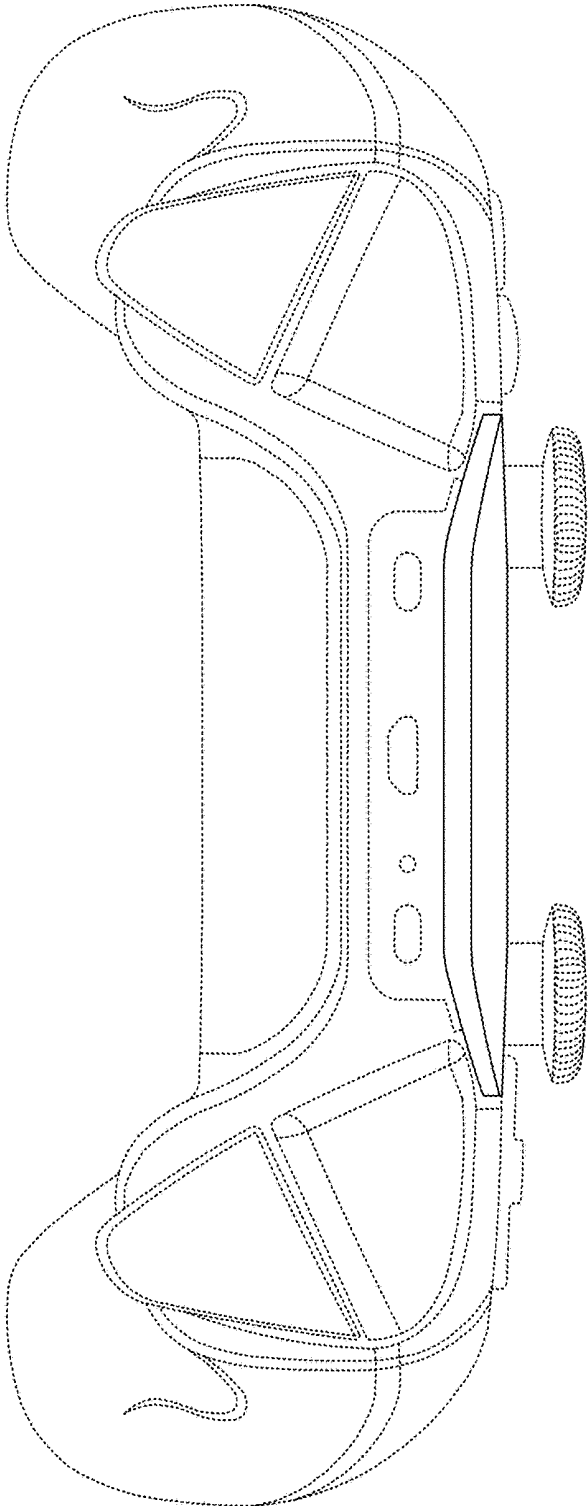


FIG.5

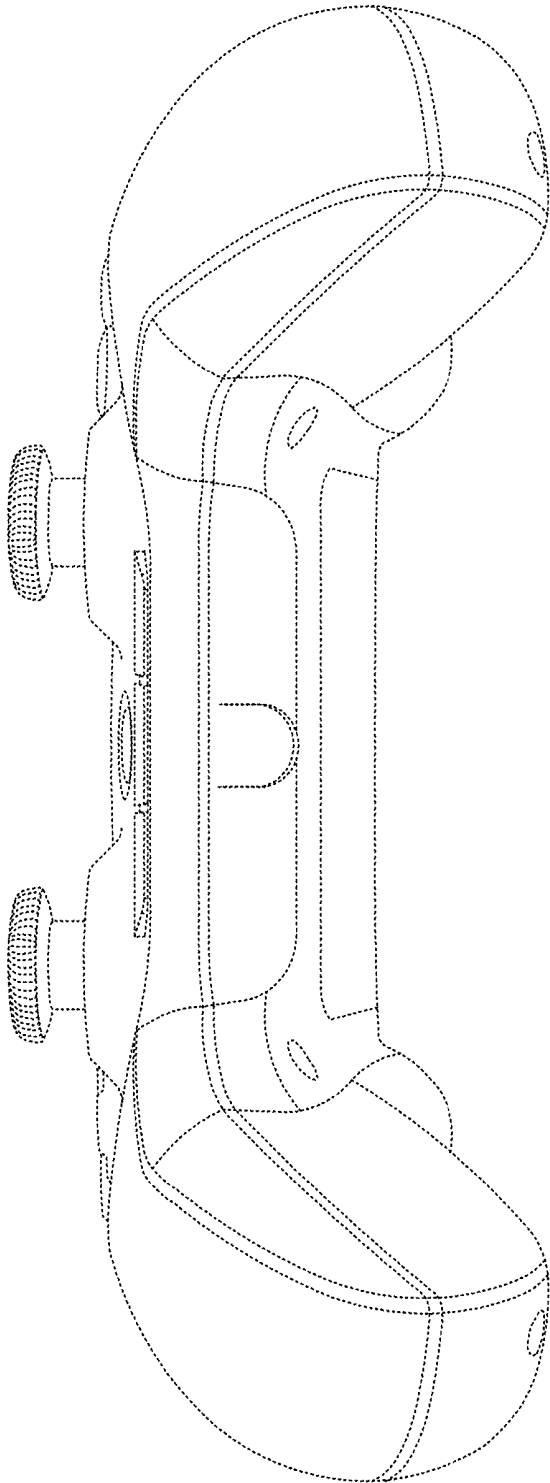


FIG. 6



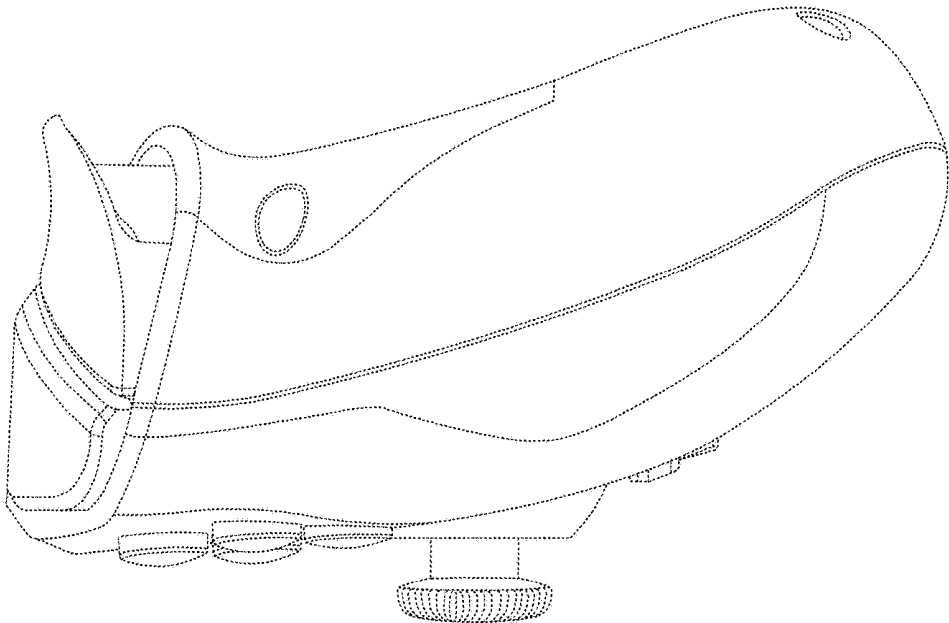


FIG. 7

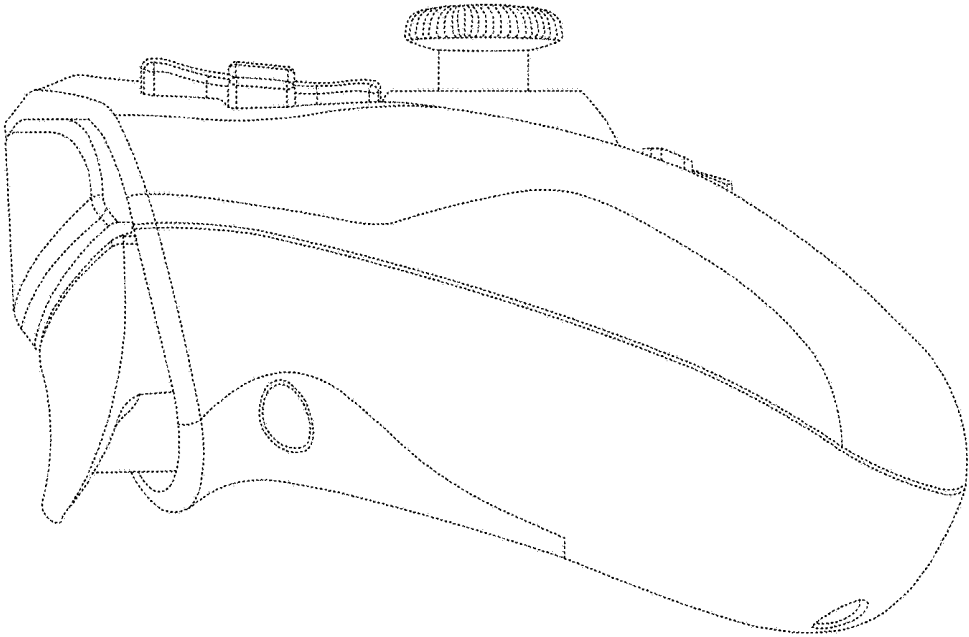


FIG. 8

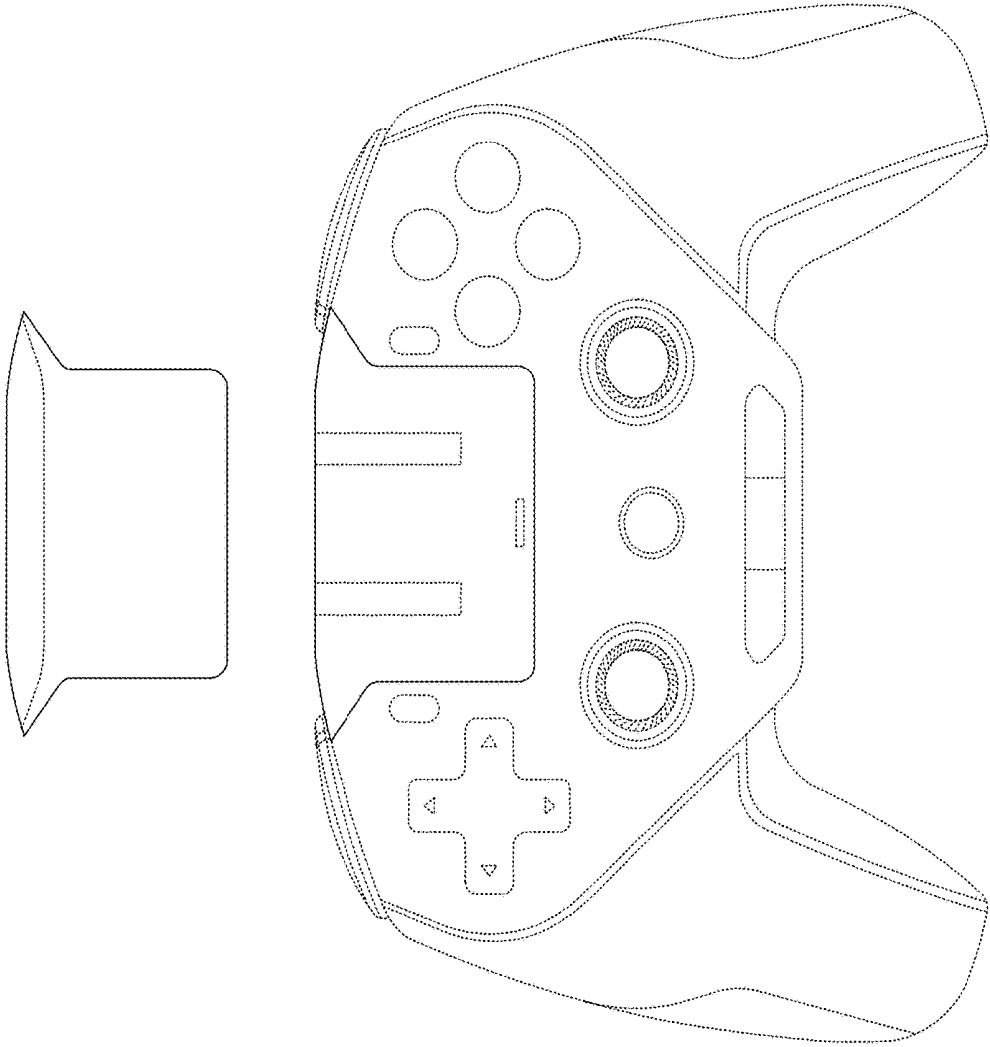


FIG. 9

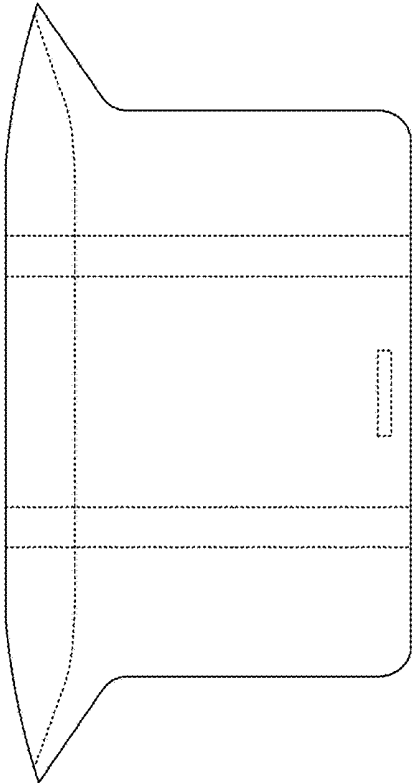


FIG. 10