



- (51) International Patent Classification:
A63F 13/285 (2014.01) *G06F 3/16* (2006.01)
A63F 13/24 (2014.01) *G09B 21/02* (2006.01)
A63F 13/214 (2014.01)
- (21) International Application Number:
 PCT/US2018/055764
- (22) International Filing Date:
 13 October 2018 (13.10.2018)
- (25) Filing Language: English
- (26) Publication Language: English
- (30) Priority Data:
 15/793,786 25 October 2017 (25.10.2017) US
- (71) Applicant: **MICROSOFT TECHNOLOGY LICENSING, LLC** [US/US]; One Microsoft Way, Redmond, Washington 98052-6399 (US).
- (72) Inventors: **TRAN, Jessica Julie**; Microsoft Technology Licensing, LLC, One Microsoft Way, Redmond, Washington 98052-6399 (US). **PORTER, John Richard, III**; Microsoft Technology Licensing, LLC, One Microsoft Way, Redmond, Washington 98052-6399 (US).
- (74) Agent: **MINHAS, Sandip S.** et al.; Microsoft Technology Licensing, LLC, One Microsoft Way, Redmond, Washington 98052-6399 (US).
- (81) Designated States (*unless otherwise indicated, for every kind of national protection available*): AE, AG, AL, AM, AO, AT, AU, AZ, BA, BB, BG, BH, BN, BR, BW, BY, BZ, CA, CH, CL, CN, CO, CR, CU, CZ, DE, DJ, DK, DM, DO, DZ, EC, EE, EG, ES, FI, GB, GD, GE, GH, GM, GT, HN,

(54) Title: HAPTIC BRAILLE OUTPUT FOR A GAME CONTROLLER

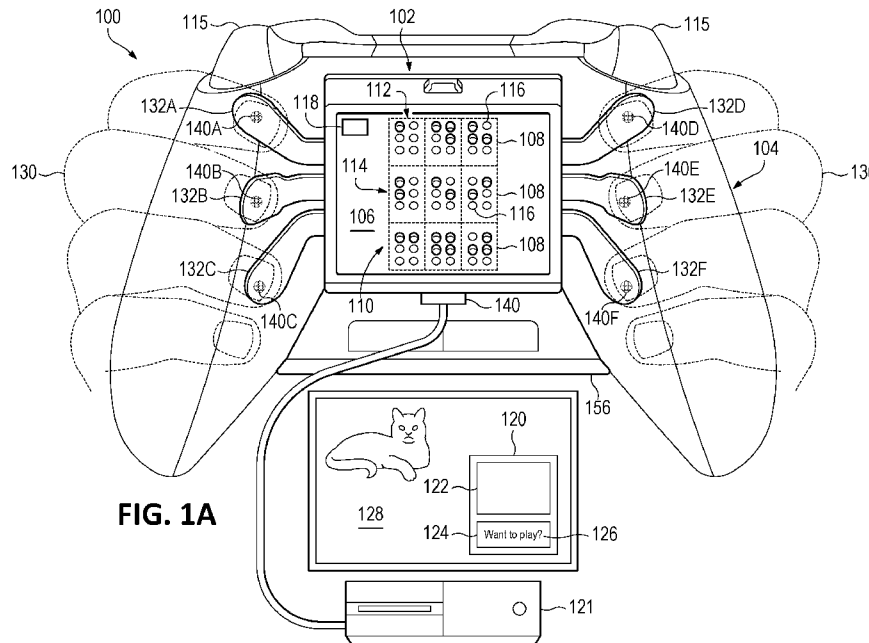


FIG. 1A

(57) Abstract: A game controller with haptic Braille chording capability. While a conventional game controller are geared to sighted players, the disclosed controller configurations include various adaptations that provide alternative input and outputs to facilitate game play by sight-impaired or blind users, as well as other users knowledgeable of Braille. A number of paddles may be arranged on a game controller housing so that a player may engage selected ones of the paddles to enable encoding braille characters using the paddles. This input may be used to control a game, enter text into a chat session or take any other action desired. The converse may also occur, where a combination of the paddles may provide haptic feedback detectable by a user holding a game controller so that the paddles encode braille output (or other data), allowing a user to receive output simply by contact with the paddles.



HR, HU, ID, IL, IN, IR, IS, JO, JP, KE, KG, KH, KN, KP, KR, KW, KZ, LA, LC, LK, LR, LS, LU, LY, MA, MD, ME, MG, MK, MN, MW, MX, MY, MZ, NA, NG, NI, NO, NZ, OM, PA, PE, PG, PH, PL, PT, QA, RO, RS, RU, RW, SA, SC, SD, SE, SG, SK, SL, SM, ST, SV, SY, TH, TJ, TM, TN, TR, TT, TZ, UA, UG, US, UZ, VC, VN, ZA, ZM, ZW.

(84) Designated States (*unless otherwise indicated, for every kind of regional protection available*): ARIPO (BW, GH, GM, KE, LR, LS, MW, MZ, NA, RW, SD, SL, ST, SZ, TZ, UG, ZM, ZW), Eurasian (AM, AZ, BY, KG, KZ, RU, TJ, TM), European (AL, AT, BE, BG, CH, CY, CZ, DE, DK, EE, ES, FI, FR, GB, GR, HR, HU, IE, IS, IT, LT, LU, LV, MC, MK, MT, NL, NO, PL, PT, RO, RS, SE, SI, SK, SM, TR), OAPI (BF, BJ, CF, CG, CI, CM, GA, GN, GQ, GW, KM, ML, MR, NE, SN, TD, TG).

Declarations under Rule 4.17:

- *as to applicant's entitlement to apply for and be granted a patent (Rule 4.17(ii))*
- *as to the applicant's entitlement to claim the priority of the earlier application (Rule 4.17(iii))*

Published:

- *with international search report (Art. 21(3))*

HAPTIC BRAILLE OUTPUT FOR A GAME CONTROLLER

Background and Description of Related Art

[0001] Electronic gaming is a popular form of entertainment in which a user
5 manipulates an object or a character or otherwise provides input using a game controller.
Usually, game controllers include various types of controls that may be configured to be
manipulated by a user's fingers to provide various inputs as the game controller is held
within the user's hands. A game controller may include push buttons, triggers, touch pads,
joysticks, bumpers, directional pads, and the like. A user may engage the various types of
10 controls to provide control signals that map to or actuate different operations within video
games.

Brief Description of the Drawings

[0002] Embodiments will be readily understood by the following detailed description
in conjunction with the accompanying drawings. To facilitate this description, like
15 reference numerals designate like structural elements. Embodiments are illustrated by way
of example, and not by way of limitation, in the figures of the accompanying drawings.

[0003] FIG. 1A illustrates, in accord with some embodiments, a bottom-view of an
exemplary game-controller with an attached exemplary Braille accessory.

[0004] FIG. 1B illustrates, in accord with some embodiments, a top view of an
20 exemplary game controller system.

[0005] FIG. 1C illustrates, in accord with some embodiments, a side view of an
exemplary game controller system.

[0006] FIG. 1D illustrates, in accord with some embodiments, a bottom view of an
exemplary game controller system with an exemplary Braille accessory.

25 [0007] FIG. 1E illustrates, in accord with some embodiments, an exploded view of an
exemplary Braille accessory.

[0008] FIG. 2 illustrates according to one embodiment an exemplary computer device
200 that may employ the apparatuses and/or methods described herein.

[0009] FIG. 3 illustrates according to one embodiment an exemplary computer-
30 readable storage medium 300.

Detailed Description

[0010] In the following detailed description, reference is made to the accompanying
drawings that form a part hereof wherein like numerals designate like parts throughout,
and in which is shown by way of illustration embodiments that may be practiced. It is to

be understood that other embodiments may be utilized and structural or logical changes may be made without departing from the scope of the present disclosure. Therefore, the following detailed description is not to be taken in a limiting sense, and the scope of embodiments is defined by the appended claims and their equivalents. Alternate
5 embodiments of the present disclosure and their equivalents may be devised without parting from the spirit or scope of the present disclosure. It should be noted that like elements disclosed below are indicated by like reference numbers in the drawings.

[0011] Various operations may be described as multiple discrete actions or operations in turn, in a manner that is most helpful in understanding the claimed subject matter.

10 However, the order of description should not be construed as to imply that these operations are necessarily order dependent. In particular, these operations do not have to be performed in the order of presentation. Operations described may be performed in a different order than the described embodiment. Various additional operations may be performed and/or described operations may be omitted in additional embodiments. For the
15 purposes of the present disclosure, the phrase “A and/or B” means (A), (B), or (A and B). For the purposes of the present disclosure, the phrase “A, B, and/or C” means (A), (B), (C), (A and B), (A and C), (B and C), or (A, B and C). The description may use the phrases “in an embodiment,” or “in embodiments,” which may each refer to one or more of the same or different embodiments. Furthermore, the terms “comprising,” “including,”
20 “having,” and the like, as used with respect to embodiments of the present disclosure, are considered synonymous.

[0012] Many game controllers, and the individual controls within them, may be challenging to operate for users that have a physical disability, particularly users that are visually-impaired or blind. Some early games, for example, were text heavy, requiring the
25 user to imagine the virtual world in which the game takes place by reading text, which often made the game inaccessible and excluded visually-impaired or blind users. Some of the greatest game improvements have occurred in the use of complex graphics. Games employing these complex graphics are challenging to use for visually-impaired or blind users since the accompanied audible feedback may only describe the game’s complex
30 graphics in a limited manner through the use of screen readers. In addition, when a game is moving quickly, such as in a fighting game, the output from a screen reader may lag gameplay. Although the gaming industry has made some progress towards improving a game’s general accessibility, a need remains for improved game controllers and accessories that address the very specialized manner in which visually-impaired or blind

users interact with video games. The present disclosure relates to a game controller providing, among other things, Braille (or other) input, as well-as and haptic-enabled Braille (or other) output.

5 [0013] Figs. 1A-1C are views of an exemplary game controller system **100**, in accordance with some embodiments. Referring to Figs. 1A-1C, a game controller system may include a game controller **104** and a Braille accessory **102** that may be part of the controller, or in some embodiments, removably attached to game controller. The Braille accessory may provide a visually-impaired or blind user with Braille input and output gaming capability. As will be discussed in more detail below, the Braille accessory may be
10 configured to provide output duplicative of other Braille output devices associated with the game controller, or it may be used to provide data separate from other accessibility related output such as other Braille output from other devices associated with the game controller system.

[0014] Game controller **104** may be sized and shaped to be held by hands **130** of a
15 user as is well known to a person of ordinary skill in the art. In an embodiment, the game controller may be shaped or sized to fit an average hand size of a population of users. It will be appreciated that different target audiences may be determined and specific controller sizes and/or shapes employed in game controller design to accommodate a particular targeted audience. In the illustrated embodiment, the game controller may
20 include controls on a top side for manipulation by a user's thumbs and controls on a bottom side for manipulation by a user's fingers, as the user grips game controller using with two hands. Users may have preferences on the shape, size, position and texture of such thumb-side and finger-side controls that differ from the standard controls that are integral to the game controller. Moreover, some users may prefer to manipulate controls
25 on just the thumb-side of the game controller without having controls located on the finger-side of the game controller.

[0015] Game controller **104** may be configured to translate user input into control signals that are provided to a computing device **121**. It will be appreciated that the computing device may be a personal computer, gaming console, laptop, tablet, mobile
30 device, and the like. The control signals may be mapped to commands to control a video game or perform other operations to control the video game or the computing device. In an embodiment, the game controller may be configured to transmit control signals to a computing device using any wired or wireless transmission means known to a person of ordinary skill in the art. See **FIG. 2** for an exemplary embodiment of a machine that may

be used to implement the illustrated computing device, as well as for discussion of exemplary technology that may be used to transmit control signals with between the game controller, computing device, and other devices.

[0016] As illustrated in FIG. 1B, Game controller **104** may include a grip configured to be held using two hands **130**. As such, the grip includes a left-hand portion **103** configured to be gripped by a left hand and a right-hand portion **105** configured to be gripped by a right hand. The right-hand portion may oppose the left-hand portion. Further, a central portion **107** may be positioned intermediate the left-hand portion and the right-hand portion and may house a plurality of controls, e.g., joysticks **109**, directional pad **111**, action buttons **113**, triggers **115**, and the like. In addition to conventional button/trigger types of input, alternative input options may be employed. For example, the game controller or computing device **121** may use other inputs (not illustrated) for receiving user input. For example, input may be based on audio information such as vocal commands, e.g., pitch commands from generated sounds (for example, humming, singing, playing a single-note instrument, playing a polyphonic note instrument, etc.); modulated sounds, with meaning determined by length (e.g., short vs. long sounds), or combinations of pitch and duration; finger snaps; surface taps (e.g., not on display and/or buttons but, for example, on a hard surface such as a table); tooth clicks; tongue clicks; whistles; hand claps; or lip smacks and puffs. In one embodiment, input may be based on optical information, for example, finger and limb motions as detected optically, optical recognition of American Sign Language (ASL) or other signed language, or light flashes, varying color, duration, duty cycle. In one embodiment, input may be based on electrical information, such as EEG and other neural-electrical signals, electrical sensing of muscle movements, or measured skin response such as galvanic skin response or the like.

25

Braille Display Output

[0017] In an embodiment, Braille accessory **102** may be incorporated as part of the game controller **104** to provide output to a user. In one embodiment, Braille accessory may be sized to be received by (i.e., attached to) a handheld-sized game controller such as the game controller **104**. The Braille accessory may be removably attached to an underside of the game controller as shown in Fig. 1A using any attachment means known to a person of ordinary skill in the art, such as attachment mechanism **156**, which is developed further below.

30

[0018] Braille accessory **102** may include a Braille display **106** to output a Braille representation of any game text **126** or any game audio occurring during the course of

game play (and displayed on output section **122** of game display **128**) to make the game text accessible to visually-impaired or blind users. In an embodiment, the game text may include text that is displayed in a game chat window or box **120** in which gaming participants can engage in live discussion with one another. The game chat window may
5 be used to allow a user to see received messages, as well as sent messages. It will be appreciated the game chat window may have any of a variety of designs, and that it may be used for other messaging if desired. It will be further appreciated other accessibility content (e.g., sights, sounds, text, etc.) may be incorporated into gameplay and this may be represented on the Braille display.

10 **[0019]** For example, content such as Braille-related data included in the game may be presented to the Braille display **106** (and/or other Braille output not illustrated). In addition, descriptive content about visual elements, such as a voiceover to explain all/selected game activity (as may be included in certain motion pictures) may be provided and converted into a corresponding Braille output form. Still further, other textual
15 elements and/or symbols within a game may be represented on the Braille output. The content presented to the Braille display (or other outputs) may be general game play information, or, in some embodiments, output such as that presented to the Braille components, such as the Braille display, is filtered to present data specific to the user of the game controller **104**.

20 **[0020]** Game chat window **120** may include a larger output section **122** on top of a smaller input section **124**. The larger output section may show messages the user may have already sent or messages that the user may have received from other players. Other output may be selectively be displayed in output section **122** but nonetheless may be presented on Braille output associated with the game controller **104**. That is, it will be
25 appreciated by one skilled in the art that different input/output may be present on the various inputs and outputs of the game controller. Input section **124** for example may display messages created by the user in real time that have not yet been sent. It will be appreciated input may be by way of input entered using the game controller, or by way of voice commands that are converted into input, or some combination of these and possibly
30 other inputs. Online video games, especially massively multiplayer online (MMO) games, often include chat windows or boxes **120** for communication between players. Chat windows or boxes may be customizable in size, color, location, and the like and may be changed to receive only messages from certain players or include multiple tabs to provide different information in discrete layers of a single window display, such as display **128**. In

some circumstances, any kind of game audio may be translated to Braille for output to Braille display **106**. As noted above, such audio, or other data such as visual information, voice-over, direct messaging, etc. may be filtered for relevance to a user of the game controller for presentation to the Braille display.

5 **[0021]** Braille accessory **102** may receive game text **126** or game audio using any wired or wireless transmission means known to a person of ordinary skill in the art. (See, e.g., **FIG. 2**.) In an embodiment, the Braille accessory may receive the game text using a wired cable **140** connected between the Braille accessory and a machine, such as computing device **121**, executing the game, e.g., a personal computer or gaming console.

10 In an embodiment, the Braille accessory may receive game text using any wireless means known to a person of ordinary skill in the art, e.g., a wireless circuit or receiver. In yet another embodiment, the Braille accessory may receive game text from game controller **104** through a wired or wireless connection between the Braille accessory and the game controller. The game controller may receive game text from the computing device

15 executing the game through any wired or wireless means known to a person of ordinary skill in the art, e.g., cables, wireless receivers, and the like. The game controller, in turn, may transmit game text to the Braille accessory for translation from text to Braille, for output on Braille display **106**. In an embodiment, translation of game text to Braille may occur at the Braille accessory (e.g., using control circuit **165**). In other embodiments,

20 translation of game text to Braille may occur at the game controller, with the results transmitted to the Braille accessory for output on the Braille display.

[0022] Braille display **106** may include a plurality of Braille cells **108** arranged in an array **110** having a plurality of columns **112** and rows **114**. Although Fig. 1A shows the array having three columns and three rows, a person of ordinary skill in the art will

25 recognize Braille may be represented in different formats and that the array may contain any number of Braille cells arranged in any number of columns or rows and all such variations are intended to be within the scope of this disclosure. In the illustrated embodiment, each Braille cell includes six pins or dots **116** arranged in two columns and three rows that can be read tactually with the fingers of visually-impaired or blind users.

30 Each Braille cell may represent a single letter, number, punctuation, or other character using Braille coding as is well known to a person of ordinary skill in the art. It will be appreciated other encoding schemes and cell sizes may be employed so that multiple outputs may be presented in a single cell. Such packed cell encoding may be advantageous in certain circumstances, such as in an output rich environment such as a gaming

environment. Table 1 is an exemplary Braille alphabet:

Table 1

Braille Alphabet:

a	b	c	d	e	f	g	h	i	j
k	l	m	n	o	p	q	r	s	t
u	v	w	x	y	z				
!	"	#	\$	%	&	'	()	?
Capital:									
#	0	1	2	3	4	5	6	7	8

[0023] It will be appreciated that depending on the implementation and use-case
 5 desired for Braille output, one or more Braille cells **108** may be rotated by a desired
 number of degrees, e.g., ninety degrees such that six pins or dots **116** are arranged in three
 columns and two rows (i.e., three pins or dots arranged horizontally and two pins or dots
 arranged vertically). It will be appreciated other rotation amounts may be used depending
 on the desired use. In the ninety degree rotation example, a “line” of text may be formed
 10 not by horizontally-adjacent cells, but by vertically-adjacent cells to account for the user’s
 finger position on Braille accessory **102** on the back of game controller **104**. That is,
 rotating Braille cells by ninety degrees allows for user finger positions, as they wrap
 around from front to back of the game controller, to read more naturally a line of text on
 Braille display **106**. Depending on the type of controller, and the configuration of the
 15 controller, different orientations of one or more Braille cells may be used.

[0024] To read Braille display **106**, it will be appreciated a visually-impaired or blind
 user may run fingers, e.g., index, middle, ring, or pinky fingers, on hands **130** through the
 Braille cells **108** to tactually detect raised pins or dots **116** as is well known to a person of
 ordinary skill in the art. In an embodiment, a visually-impaired or blind user may read the
 20 Braille display vertically from top to bottom and left to right such that the first character is
 represented in the Braille cell located in the first column **112** first row **114**, the second
 character is represented in the Braille cell located in the first column second row, the third
 character is represented in the Braille cell located in the first column third row, the fourth
 character is represented in the Braille cell located in the second column first row, the fifth
 25 character is represented in the Braille cell located in the second column second row, and
 so on.

[0025] Braille display **106** may further include scroll actuator **118** to scroll game text

126. Scroll actuator **118** may include any actuating means known to a person of ordinary skill in the art, including any electronic or mechanical actuating means, e.g., switch, push button, touch activated electronic switch, and so on. Because the Braille display has a predetermined number of Braille cells **108** that may represent a predetermined number of characters in the game text or game audio, it may be necessary for a visually-impaired or blind user to actuate or otherwise indicate to Braille accessory **102** that it is ready to receive a new batch of characters from the game text by actuating the scroll actuator after reading the current batch of characters displayed or output on the Braille display. A visually-impaired or blind user may program or set the Braille accessory to scroll a single column **112** or row **114** or multiple columns or rows of new characters per each actuation of the scroll actuator. Conversely, a visually-impaired or blind user may program or set the Braille accessory to scroll all new characters per each actuation of the scroll actuator. In an embodiment, the scroll actuator may scroll the translation of the game text or game audio one character at a time in a vertical direction, with an oldest character represented by a top left Braille cell being scrolled off the Braille display and a newest character to be represented by a bottom right Braille cell scrolled on to the Braille display.

[0026] In one embodiment, a component **140A-F** is incorporated into paddles **132A-F** to enable sensing when fingers are in contact with paddle surfaces and communicating that presence or pressure signal to an actuating circuit. In one embodiment a pressure-sensing or electrical or capacitance based finger-detecting device is incorporated into the paddles, and in this embodiment, the scroll actuator **118** may be implemented at least in part on detecting fingers are present at the paddles to facilitate determining a particular output has been received and output may continue on to a next output to be presented.

Haptic Braille Input / Output

[0027] Braille accessory **102** may include six Braille paddles **132A-F** to allow a visually-impaired or blind user to input or chord Braille characters during the course of game play to send to other players, as well as to receive output presented to the user by way of the paddles. In the illustrated embodiment, the paddles are arranged as a two by six block cell (2 columns, 3 rows) which as shown in Table 1 may be used to encode a Braille character or symbol. As discussed above with respect to Braille display **106**, a visually-impaired or blind user may run fingers through Braille cells **108** to tactually detect raised pins or dots **116** to get Braille output. In the illustrated embodiment, the paddles may be used to receive Braille output by some combination of haptic (or kinesthetic) feedback on the paddles and/or (if desired) movable, extruding, or otherwise detectable pins, dots,

ridges, or other elements incorporated into paddle components **140A-F** detectable on a paddle's surface. During use of a game controller **104** Braille characters may be presented to the Braille paddles.

[0028] As discussed above, output to the paddles may be regulated in a variety of ways including through use of scroll actuator **118** and/or through detecting of fingers present on the paddles. It will be appreciated while the foregoing speaks to using paddle components **140A-F** to both detect the presence of fingers on the paddles, and to provide haptic Braille output across the paddles, this combined role is for expository convenience. It will be understood by one skilled in the art multiple elements may be incorporated into paddle design as desired. And, although paddles using haptic feedback are alone sufficient to convey Braille output across the paddles, this may be used in addition to pins, dots, ridges, etc. to further provide indicia to a user of which paddles are being used to present Braille output using the paddles.

[0029] It will be appreciated any of a variety of known electrical and/or mechanical stimulation of a paddle or components attached to a Braille paddle may be used to produce a detectable haptic output on one or more of the paddles **132A-F**. A particular combination of haptic outputs to selected paddles may present a specific Braille character or symbol to fingers **130** holding game controller **104**. In one embodiment, the Braille paddles may be used instead of Braille display **106**. In an alternate embodiment, both Braille outputs may be used, and if desired, a first output may be presented to the Braille display and a second different output presented to the Braille paddles. In one embodiment, different types of output may be routed to the user over different Braille output depending on the information to be presented. For example, general game information might be provided using the Braille display.

[0030] It will be appreciated some content rich games may have a lot of information being presented to a user, and content may be filtering and/or routing may be desired. In one embodiment, general game information, or fast moving information such as general chat data, may be presented to Braille display **106**, while information or activity specifically relating to the user, such as messages directed to the user, or certain game activity or sounds or other game play specifically affecting the user, this may be presented to the user using haptic feedback using the Braille paddles **140A-F**. In this embodiment, a user is able, when desired, to focus on activity related to that user's game play. For example, a user may receive by way of the paddles warnings, indicia, or user-specific information (such as an impending attack) that that might otherwise be visually apparent

to a sighted viewer. It will be appreciated any number of different haptic systems may be employed to provide output to the user so that Braille and other data may be tactically received by the user. In such fashion there can be a bifurcation of data presented to the user, with some data going to the Braille display **106** and other data (in the exemplary embodiment, user-specific information) going to the paddles.

[0031] In one embodiment, a touch sensitive surface structure **140A-F** comprising a piezo structure may be in communication with a deformable surface, e.g., pins, bumps, etc. may be employed such that the piezo structure may generate a detectable output by fingers **130** holding game controller **104**. In various embodiments, the Braille paddles may use bumps, pins, piezo structure, vibration, electric stimulation, or other haptic and/or otherwise feature a detectable output. It will be appreciated this exemplary piezo structure (or other haptic emitter) is capable of producing a signal to the deformable surface structure sufficient for a finger to feel a “click” or other haptic sensation. In one embodiment, a piezo actuating signal comprises a first slow charging portion and a second fast discharging portion, sufficient for the piezo structure to communicate the click and/or haptic sensation. Since the paddles may be arranged as a Braille cell, the surface structure **140A-F** in the paddles **132A-F** may present a collection of mechanical signals to various deformable surfaces sufficient for a person's fingers to feel a combination of haptic outputs across the paddles that represents an encoding of a Braille character output.

[0032] It will be appreciated by one skilled in the art there are many different ways to implement haptic feedback. Examples of haptic feedback are buzzing, vibration, jiggling, force feedback, and the like. There are well understood technologies incorporating weights, motors, circuits, actuators, etc. to generate the haptic feedback or other tactile output discernable to a user. In the illustrated embodiments, the piezo or other haptic feedback may be individually associated with each paddle of the game controller so that, as discussed above, Braille output may be received at the paddles to provide various output to the user.

[0033] For example, in the FIG. 1E embodiment (discussed in more detail below) a printed circuit assembly **160** may include haptic feedback emitters/generation devices. In one embodiment, haptic emitters may be incorporated into the illustrated items **164**. It will be appreciated a combined actuator/haptic emitter is proposed for expository convenience, and in other embodiments (not illustrated), haptic feedback may be provided by separate emitting devices associated with the circuit assembly. As noted above, various techniques may be used to step through output of a sequence of Braille characters. In one

embodiment, the circuit assembly includes circuitry to detect finger presence to assume a Braille character or other output was received and control output advancement to a next output. It will be appreciated any of the buttons, controls and actuators on a game controller may be employed to affect how output is received and/or presented across the
5 Braille paddles **140A-F**, e.g., buttons may be used to speed up or slow down the output, or to switch between different game data that may be output. In one embodiment, if the paddles **132A-F** are presenting messages (Braille or otherwise) directed at the user, a user may elect to have the paddles present indicia of other game activity or other game related information, such as data affecting the user's game play.

10 **[0034]** Braille paddles **132A-F** may be shaped or curved to follow a contour game controller **104** as the game controller is gripped by hands **130**. The Braille paddles may be located on a finger-side of the game controller, with three Braille paddles **132A-C** on a right side and three Braille paddles **132D-F** on a left side of the game controller, when the game controller is gripped thumb-side up by hands of a visually-impaired or blind user.
15 The Braille paddles may be manipulated by fingers other than the thumbs, e.g., index, middle, ring, or pinky fingers, of a user gripping the game controller with both hands. Control circuit **165** on Braille accessory **102** may translate a touch force applied to any of the Braille paddles into an individual Braille character. This allows, in combination with haptic feedback, for the Braille paddles to be used to both send, and receive, Braille
20 encoded information while holding the game controller.

[0035] In an embodiment, Braille paddles **132A-F** may be actuated by a touch force from fingers of hands **130** to generate signals that are mapped or translated from Braille to text **126** or game audio. In one embodiment, the text or game audio is then transmitted from the Braille accessory to computing device **121** or from the Braille accessory to game
25 controller **104** to the computing device for display on input section **124** before being displayed on output section **122** of chat window **120** after being sent. Such a configuration would allow a visually-impaired or blind user to communicate with other players in real time. The chording of Braille on Braille paddles **132A-F** is well known to a person of ordinary skill in the art and may follow any number of Braille coding schemes, such as the
30 6-dot scheme shown in Table 1. A person of ordinary skill in the art should recognize that other Braille coding schemes exist that come within the scope of the disclosure, e.g., 8-dot Braille coding schemes. Similarly, output to the Braille paddles may employ a similar known encoding scheme and allow real-time receipt of replies to the user without having to remove fingers from the paddles. This facilitates, for example, a user to use other

fingers, e.g., thumbs and pointer finger, to manipulate game controller buttons to engage in the game while simultaneously engaging in two-way conversation using the Braille paddles.

[0036] As will be appreciated by one skilled in the art, not all possible combinations of dot patterns are used so a game may elect to encode other game information, status, alerts, etc. as unused characters or character sequences initiated with an unused character. Braille accessory **102** may transmit the Braille chords input by a visually-impaired or blind user using Braille paddles **132A-F** to computing device **121** or game controller **104** using any wired or wireless transmission means known to a person of ordinary skill in the art, e.g., cable 140, wireless circuit or receiver (not shown), and the like. Each of the Braille paddles may be shaped for actuation by a user's fingers, other than the thumb, as the user grips the game controller using both hands and as the Braille accessory is received on an underside of the game controller.

[0037] In an embodiment, Braille paddles **132A-F** may be removably affixed or attached to Braille accessory **102** or game controller **104** via any attachment mechanism known to a person of ordinary skill in the art, e.g., screws or other fasteners. Moreover, haptic feedback may be incorporated into the paddle such that removing a paddle allows it to be updated with a newer sensing or feedback technology. Or, haptic feedback may be incorporated, for example, into the connection point of the paddle to the game controller such that the paddle may be an inexpensive component easily replaceable if it wears out or breaks. In one embodiment the Braille paddles may be quickly and easily swapped out without the use of tools. Such a configuration may facilitate using differently sized or oriented Braille paddles for a designing a customizable game controller.

[0038] Referring to Figs. 1B and 1C, game controller **104** may include a plurality of controls located on a top or thumb-side. These controls may be configured to be manually manipulated by right and/or left thumbs of a user gripping the game controller with two hands **130** during gameplay. In some embodiments, a user may manipulate one or more of the plurality of controls with an index finger. The plurality of controls may include joysticks **109**, directional pad **111**, action buttons **113**, triggers **115**, and so on as is well known to a person of ordinary skill in the art. The game controller may include any suitable number and type of controls.

[0039] Fig. 1D is a bottom view of an exemplary game controller system with an attached exemplary Braille accessory with haptic feedback adapted paddles, in accordance with some embodiments. Referring to Figs. 1A-1D, Braille accessory **102** may include

multiple, e.g., two removably attached Braille paddles **132A** and **132D** coupled to operate with four Braille paddles **132B**, **132C**, **132E**, and **132F** removably attached to game controller **104**. In an embodiment in which the Braille accessory is removably attached to the game controller, the Braille accessory may receive control signals from all six Braille
5 paddles **132A-F** that the Braille accessory then translates from Braille to another data format, e.g., text. The Braille accessory then transmits translated data to computing device **121** for display as text **126** on input section **124**. In an embodiment in which four Braille paddles **132B**, **132C**, **132E**, and **132F** are removably attached to the game controller, the Braille accessory may receive controls signals for Braille paddles **132B**, **132C**, **132E**, and
10 **132F** from the game controller that the Braille accessory then synchronizes or otherwise couples to controls signals from Braille paddles **132A** and **132D**, before translating the Braille chording representative of all six Braille paddles **132A-F** into another data format, e.g., to text **126**.

[0040] In one embodiment, game controller **104** may receive control signals from all
15 six Braille paddles **132A-F**, including Braille paddles **132A** and **132D** attached to Braille accessory **102**, that game controller **104** then translates from Braille to text and transmits to computing device **121** for display as text **126** on input section **124**. The game controller may also receive control signals from the computing device **121** signals corresponding to text and/or other information generated by a program running on the computing device
20 that is then presented to a user, such as through haptic output presented across all six Braille paddles, including Braille paddles **132A** and **132D**.

[0041] Fig. 1E is an exploded view of an exemplary Braille accessory, in accordance with some embodiments. Referring to Figs. 1A-1E, Braille accessory **102** may include a housing **150** to enclose electronic circuits and mechanisms that control operation of Braille
25 display **106** and/or Braille paddles **132A-F**. The housing may include a first housing portion **152** and a second housing portion **154** that removably attaches to the first housing portion using any removable fastening mechanism known to a person of ordinary skill in the art, e.g., screws, built in snaps, and the like. The first housing portion may attach to the second housing portion using snap features designed into the first housing portion and/or
30 the second housing portion, when the first housing portion and second housing portion are made of molded plastic. The housing may be made of any material known to a person of ordinary skill in the art, e.g., plastic, metal, and the like. The first housing portion may include an attachment mechanism **156** to removably attach the Braille accessory to game controller **104**. In an embodiment, the attachment mechanism may be a substantially u-

shaped clamp that extends from an end of the first housing portion and removably attaches to central portion **107** of the game controller. In an embodiment, the attachment mechanism may removably attach to the game controller using any removable attachment means known to a person of ordinary skill in the art, e.g., fasteners, snap features built into the housing, and/or the game controller.

[0042] A printed circuit assembly **160** may be located in an interior cavity **162** of housing **150**. The printed circuit assembly may include a plurality of electronic circuits **165** to control operation of Braille display **106** and/or Braille paddles **132A-F**. In an embodiment, the printed circuit assembly may include a plurality of components **164** that may include actuation sensors and/or haptic emitters that correspond to the Braille paddles. Each of the Braille paddles may be configured to activate a corresponding actuation sensor in response to a force touch to generate a control signal responsive to being depressed (e.g., via finger manipulation). In an embodiment, control circuit **165** may detect actuation of the sensors to translate the touch force applied to the at least one of paddles **132A-F** into individual Braille characters. In an embodiment, haptic emitters, e.g., within components **164**, or incorporated into paddle components **140A-F**, may be employed to emit a force applied to the at least one paddles **132A-F** to output individual Braille characters. As discussed above, a variety of technologies may be employed to generate a vibration, buzz, etc. that may be used along with or instead of an extrusion, bump, ridge, etc. to indicate a particular paddle is being used for Braille output. It will be appreciated haptic output may be used simultaneously with a user activating the paddles to perform Braille character input, including to enter a command or commands to control operation of the game controller, or associated machine to which the game controller is communicating, or to affect the information presented as haptic output.

[0043] In some embodiments, printed circuit board **160** may include other sensors that correspond to the plurality of input controls, e.g., joysticks **109**, directional pad **111**, action buttons **113**, or triggers **115**. The plurality of actuation sensors **164** may be any type of sensor or switch known to a person of ordinary skill in the art capable of detecting actuation or manipulation of Braille paddles **132A-F**, e.g., dome switches, tactile switches, buttons, levers, dials, rockers, Hall Effect sensors, and other electronic sensing components. Printed circuit assembly **160** may include any number or type of actuation sensors **164**. The printed circuit assembly may include a processing device and a memory device as part of electronic circuits **165** to control operation of Braille display **106** and/or the input/output with Braille paddles **132A-F**. The printed circuit assembly may also

incorporate the motors, weights, power supplies and the like required for providing or implementing the different types of haptic feedback to the Braille paddles as discussed above.

[0044] FIG. 2 illustrates according to one embodiment an exemplary computer device **200** that may employ the apparatuses and/or methods described herein (e.g., FIG. 1A computing device 121), in accordance with various embodiments. As shown, computer device **200** may include a number of components, such as one or more processor(s) **202** (one shown) and at least one communication chip(s) **204**. In various embodiments, the one or more processor(s) **202** each may include one or more processor cores. In various
10 embodiments, the at least one communication chip **204** may be physically and electrically coupled to the one or more processor(s) **202**. In further implementations, the communication chip(s) **204** may be part of the one or more processor(s) **202**. In various embodiments, computer device **200** may include printed circuit board (PCB) **206**. For these embodiments, the one or more processor(s) **202** and communication chip(s) **204** may
15 be disposed thereon. In alternate embodiments, the various components may be coupled without the employment of PCB **206**.

[0045] Depending on its applications, computer device **200** may include other components that may or may not be physically and electrically coupled to the PCB **206**. These other components include, but are not limited to, memory controller **208**, volatile
20 memory (e.g., dynamic random access memory (DRAM) **210**), non-volatile memory such as read only memory (ROM) **212**, flash memory **214**, storage device **216** (e.g., a hard-disk drive (HDD)), an I/O controller **218**, a digital signal processor **220**, a crypto processor **222**, a graphics processor **224** (e.g., a graphics processing unit (GPU) or other circuitry for performing graphics), one or more antenna **226**, a display which may be or work in
25 conjunction with a touch screen display **228**, a touch screen controller **230**, a battery **232**, an audio codec (not shown), a video codec (not shown), a positioning system such as a global positioning system (GPS) device **234** (it will be appreciated other location technology may be used), a compass **236**, an accelerometer (not shown), a gyroscope (not shown), a speaker **238**, a camera **240**, and other mass storage devices (such as hard disk
30 drive, a solid state drive, compact disk (CD), digital versatile disk (DVD)) (not shown), and so forth.

[0046] As used herein, the term “circuitry” or “circuit” may refer to, be part of, or include an Application Specific Integrated Circuit (ASIC), an electronic circuit, a processor (shared, dedicated, or group) and/or memory (shared, dedicated, or group) that

execute one or more software or firmware programs, a combinational logic circuit, processor, microprocessor, programmable gate array (PGA), field programmable gate array (FPGA), digital signal processor (DSP) and/or other suitable components that provide the described functionality. Note while this disclosure may refer to a processor in the singular, this is for expository convenience only, and one skilled in the art will appreciate multiple processors, processors with multiple cores, virtual processors, etc., may be employed to perform the disclosed embodiments.

[0047] In some embodiments, the one or more processor(s) **202**, flash memory **214**, and/or storage device **216** may include associated firmware (not shown) storing programming instructions configured to enable computer device **200**, in response to execution of the programming instructions by one or more processor(s) **202**, to practice all or selected aspects of the methods described herein. In various embodiments, these aspects may additionally be or alternatively be implemented using hardware separate from the one or more processor(s) **202**, flash memory **214**, or storage device **216**. In one embodiment, memory, such as flash memory **214** or other memory in the computer device, is or may include a memory device that is a block or byte addressable memory device, such as those based on NAND, NOR, Phase Change Memory (PCM), nanowire memory, and other technologies including future generation nonvolatile devices, or a combination of any of the above, or other memory. The memory device may refer to the die itself and/or to a packaged memory product.

[0048] In various embodiments, one or more components of the computer device **200** may implement an embodiment of FIG. 1A game controller system 100, e.g., computing device 121, game controller 104, etc. In some embodiments, I/O controller **218** may interface with one or more external devices to receive a data, e.g., game controller 104. Additionally, or alternatively, the external devices may be used to receive a data signal transmitted between components of the computer device **200**. The communication chip(s) **204** may enable wired and/or wireless communications for the transfer of data to and from the computer device **200**. The term “wireless” and its derivatives may be used to describe circuits, devices, systems, methods, techniques, communications channels, etc., that may communicate data through the use of modulated electromagnetic radiation through a non-solid medium. The term does not imply that the associated devices do not contain any wires, although in some embodiments they might not. The communication chip(s) may implement any of a number of wireless standards or protocols, including Digital Enhanced Cordless Telecommunications (DECT), Bluetooth, derivatives thereof, as well as any

other wireless protocols including cellular and other technologies designated as 3G, 4G, 5G, and beyond. The computer device may include a plurality of communication chips **204**. For instance, a first communication chip(s) may be dedicated to shorter range wireless communications such as Wi-Fi and Bluetooth, or other standard or proprietary shorter range communication technology, such as to communicate with a game controller **104**, and a second communication chip **204** may be dedicated to longer range wireless communications, such as for computing device **121** to communicate with the Internet.

[0049] The communication chip(s) may implement any number of standards, protocols, and/or technologies datacenters typically use, such as networking technology providing high-speed low latency communication. Computer device **200** may support any of the protocols, infrastructures, and technology identified here, and since new high-speed technology is always being implemented, it will be appreciated by one skilled in the art that the computer device is expected to support equivalents currently known or technology implemented in future.

[0050] In various implementations, the computer device **200** may be a gaming console, a gaming console accessory, a handheld game controller or other game controller or accessory, a laptop, a netbook, a notebook, a smartphone, a computer tablet, a personal digital assistant (PDA), an ultra-mobile PC, a mobile phone, a desktop computer, a server, a printer, a scanner, a monitor, a set-top box, a digital camera, an appliance, a portable music player, or a digital video recorder, a transportation device (e.g., any motorized or manual device such as a bicycle, motorcycle, automobile, taxi, train, plane, drone, rocket, etc.), and an entertainment control unit (including within a transportation device). It will be appreciated computer device **200** is intended to be any electronic device that processes data.

[0051] FIG. 3 illustrates according to one embodiment an exemplary computer-readable storage medium **300**. The storage medium may be transitory, non-transitory or a combination of transitory and non-transitory media, and the medium may be suitable for use to store instructions that cause an apparatus, machine or other device, in response to execution of the instructions by the apparatus, to practice selected aspects of the present disclosure. As will be appreciated by one skilled in the art, the present disclosure may be embodied as methods or computer program products. Accordingly, the present disclosure, in addition to being embodied in hardware as earlier described, may take the form of an entirely software embodiment (including firmware, resident software, micro-code, etc.) or an embodiment combining software and hardware aspects that may all generally be

referred to as a “circuit,” “module” or “system.” Furthermore, the present disclosure may take the form of a computer program product embodied in any tangible or non-transitory medium of expression having computer-usable program code embodied in the medium. As shown, non-transitory computer-readable storage medium **302** may include a number of programming instructions **304**. Programming instructions **304** may be configured to enable a device, e.g., computer device **200**, in response to execution of the programming instructions, to implement (aspects of) the sidecar technology disclosed herein. In alternate embodiments, programming instructions **304** may be disposed on multiple computer-readable non-transitory storage media **302** instead. In still other embodiments, programming instructions **304** may be disposed on computer-readable transitory storage media **302**, such as, signals.

[0052] Any combination of one or more computer usable or computer readable medium(s) may be utilized. The computer-usable or computer-readable medium may be, for example but not limited to, an electronic, magnetic, optical, electromagnetic, infrared, or semiconductor system, apparatus, device, or propagation medium. More specific examples (a non-exhaustive list) of the computer-readable medium would include the following: an electrical connection having one or more wires, a portable computer diskette, a hard disk, a random access memory (RAM), a read-only memory (ROM), an erasable programmable read-only memory (EPROM or Flash memory), an optical fiber, a portable compact disc read-only memory (CD-ROM), an optical storage device, a transmission media such as those supporting the Internet or an intranet, or a magnetic storage device. Note that the computer-usable or computer-readable medium could even be paper or another suitable medium upon which the program is printed, as the program can be electronically captured, via, for instance, optical scanning of the paper or other medium, then compiled, interpreted, or otherwise processed in a suitable manner, if necessary, and then stored in a computer memory. In the context of this document, a computer-usable or computer-readable medium may be any medium that can contain, store, communicate, propagate, or transport the program for use by or in connection with the instruction execution system, apparatus, or device. The computer-usable medium may include a propagated data signal with the computer-usable program code embodied therewith, either in baseband or as part of a carrier wave. The computer usable program code may be transmitted using any appropriate medium, including but not limited to wireless, wireline, optical fiber cable, RF, etc.

[0053] Computer program code for carrying out operations of the present disclosure

may be written in any combination of one or more programming languages, including an object oriented programming language such as Java, Smalltalk, C++ or the like and conventional procedural programming languages, such as the “C” programming language or similar programming languages. The program code may execute entirely on the user's computer, partly on the user's computer, as a stand-alone software package, partly on the user's computer and partly on a remote computer or entirely on the remote computer or server. In the latter scenario, the remote computer may be connected to the user's computer through any type of network, including a local area network (LAN) or a wide area network (WAN), or the connection may be made to an external computer (for example, through the Internet using an Internet Service Provider). Cooperative program execution may be for a fee based on a commercial transaction, such as a negotiated rate (offer/accept) arrangement, established and/or customary rates, and may include micropayments between device(s) cooperatively executing the program or storing and/or managing associated data.

[0054] The present disclosure may be described with reference to flowchart illustrations and/or block diagrams of methods, apparatus (systems) and computer program products according to embodiments of the disclosure. It will be understood that each block of the flowchart illustrations and/or block diagrams, and combinations of blocks in the flowchart illustrations and/or block diagrams, can be implemented by computer program instructions. These computer program instructions may be provided to a processor of a general purpose computer, special purpose computer, or other programmable data processing apparatus to produce a machine, such that the instructions, which execute via the processor of the computer or other programmable data processing apparatus, create means for implementing the functions/acts specified in the flowchart and/or block diagram block or blocks.

[0055] These computer program instructions may also be stored in a computer-readable medium that can direct a computer or other programmable data processing apparatus to function in a particular manner, such that the instructions stored in the computer-readable medium produce an article of manufacture including instruction means which implement the function/act specified in the flowchart and/or block diagram block or blocks.

[0056] The computer program instructions may also be loaded onto a computer or other programmable data processing apparatus to cause a series of operational steps to be performed on the computer or other programmable apparatus to produce a computer

implemented process such that the instructions which execute on the computer or other programmable apparatus provide processes for implementing the functions/acts specified in the flowchart and/or block diagram block or blocks.

5 **[0057]** It will be apparent to those skilled in the art that various modifications and variations can be made in the disclosed embodiments of the disclosed device and associated methods without departing from the spirit or scope of the disclosure. Thus, it is intended that the present disclosure covers the modifications and variations of the embodiments disclosed above provided that the modifications and variations come within the scope of any claims and their equivalents.

Claims

1. A game controller with haptic Braille chording capability, comprising:
a plurality of paddles arranged as a Braille cell on a housing;
a control circuit to translate a touch force applied to selected ones of the paddles into a Braille character input; and
a first haptic feedback emitter coupled with at least one paddle of the plurality of paddles to generate a force, detectable by contact with the at least one paddle, corresponding to a portion of a Braille character output.
2. The game controller of claim 1, further comprising:
an adjustable tactile component disposed within selected ones of the plurality of paddles;
wherein the adjustable tactile component for a first paddle may extrude a tactilely detectable portion contemporaneous to when the first haptic emitter generates the force for the first paddle.
3. The game controller of any of claims 1-2, further comprising:
the first haptic feedback emitter coupled with multiple ones of the plurality of paddles¹³² to generate forces corresponding to a haptic representation of the Braille character output.
4. The game controller of any of claims 1-3, further comprising
haptic feedback emitters coupled with each of the plurality of paddles, which when force is emitted by selected ones of the haptic feedback emitters, a pattern of haptic feedback across all of the plurality of paddles corresponds to the Braille character output.
5. The game controller of any of claims 1-4, wherein the force created by the first haptic feedback emitter is based at least in part on operation of a selected one or more of: a motor, a vibration element, an ultrasonic emitter, a piezo component.
6. The game controller of any of claims 1-5, in which the game controller is held by at least a portion of hands to be in contact the at least one paddle, the controller further comprising:
the adjustable tactile component to also measure a degree of contact with the at least a portion of the hands;
wherein the force is adjusted based at least in part on the degree of contact.
7. An apparatus with haptic Braille chording capability, comprising:
a plurality of paddles arranged as a Braille cell on the housing;
a control circuit to translate a touch force applied to selected ones of the paddles

into a Braille character input; and

haptic feedback emitters coupled with each of the plurality of paddles, which when force is emitted by selected ones of the haptic feedback emitters, a pattern of haptic feedback across the plurality of paddles corresponds to the Braille character output.

8. The apparatus of claim 7, in which at least a part of the apparatus is in contact at least a portion of hands in contact with at least some of the plurality of paddles, further comprising:

the adjustable tactile component to also measure a degree of contact with the at least a portion of the hands;

wherein:

a receipt of the Braille character output can be determined if the adjustable tactile component identify contact between at least the portion of the hands and selected ones of the plurality of paddles corresponding to the haptic pattern; and

a delivery rate of Braille output characters is based at least in part on determining the receipt.

9. A method for using a game controller with haptic Braille chording capability based at least a plurality of paddles disposed within the game controller, comprising:

receiving force indicators for selected ones of the paddles;

identifying a Braille character input based at least in part on which paddles had force applied to them;

determining a Braille character output for presenting to the game controller;

identifying a pattern of paddles corresponding to the Braille character output; and

activating a haptic feature for each paddle in the pattern of paddles.

10. The method of claim 9, further comprising:

activating an adjustable tactile component of each paddle in the pattern of paddles contemporaneous with activating the haptic feature for each paddle in the pattern of paddles.

11. The method of claim 10, further comprising:

means for the adjustable tactile component to also measure a degree of contact with the at least one paddle; and

means for determining receipt of the Braille character output based at least in part on the measuring contact with each paddle in the pattern of paddles corresponding to the Braille character output.

12. The game controller of any of claims 1-5, in which the game controller is held by a portion of hands to be in contact the at least one paddle, the controller further comprising:

the adjustable tactile component to also measure a degree of contact between the at least a portion of the hands with the at least on paddle;

wherein a haptic pattern corresponding to the Braille character output, if emitted across selected ones of the plurality of paddles, can be considered received if the adjustable tactile component identify contact between at least the portion of the hands and selected ones of the plurality of paddles corresponding to the haptic pattern.

13. One or more computer-readable media having instructions for using a game controller with haptic Braille chording capability based at least a plurality of paddles disposed within the game controller, when executed, the instructions provide for:

receiving force indicators for selected ones of the paddles;

identifying a Braille character input based at least in part on which paddles had force applied to them;

determining a Braille character output for presenting to the game controller;

identifying a pattern of paddles corresponding to the Braille character output; and

activating a haptic feature for each paddle in the pattern of paddles.

14. The one or more computer-readable media of claim 13, the media having further instructions to provide for:

activating an adjustable tactile component of each paddle in the pattern of paddles contemporaneous with activating the haptic feature for each paddle in the pattern of paddles.

15. The one or more computer-readable media of claim 14, in which the game controller is held by a hand having at least a finger in contact with the at least one paddle, the media having further instructions to provide for:

the adjustable tactile component to also measure a degree of contact with the at least one paddle; and

determining receipt of the Braille character output based at least in part on the measuring contact with each paddle in the pattern of paddles corresponding to the Braille character output.

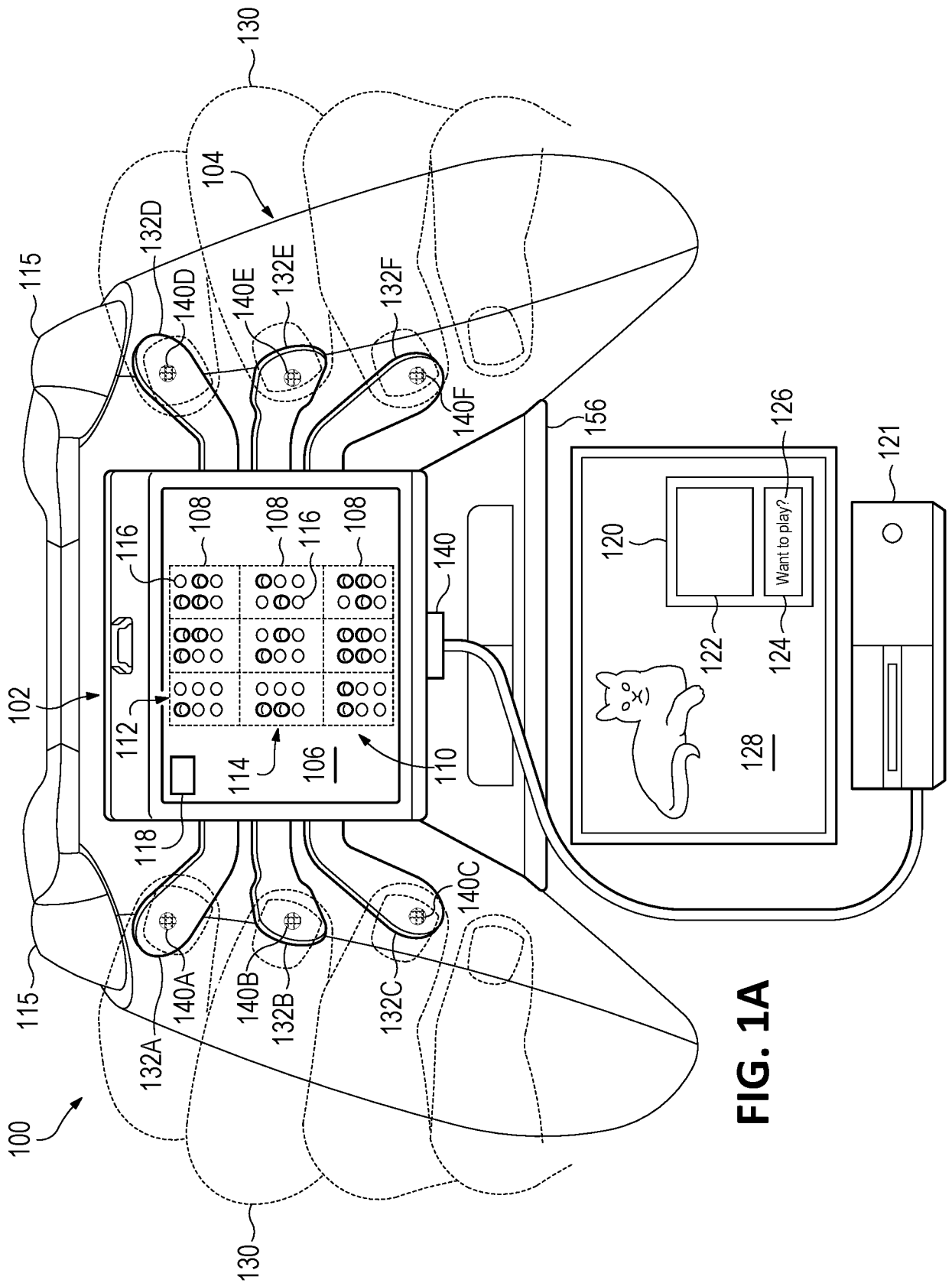
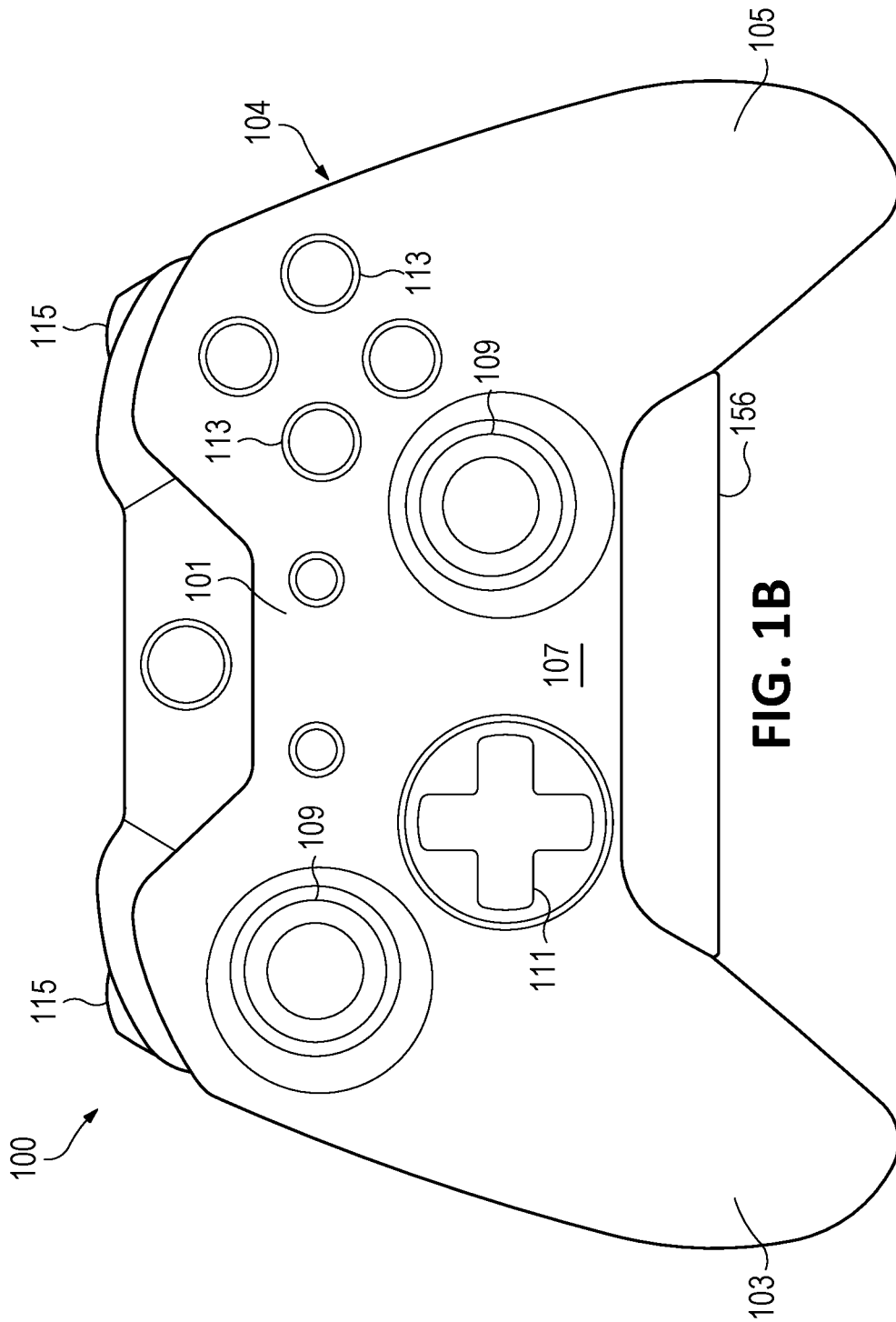


FIG. 1A



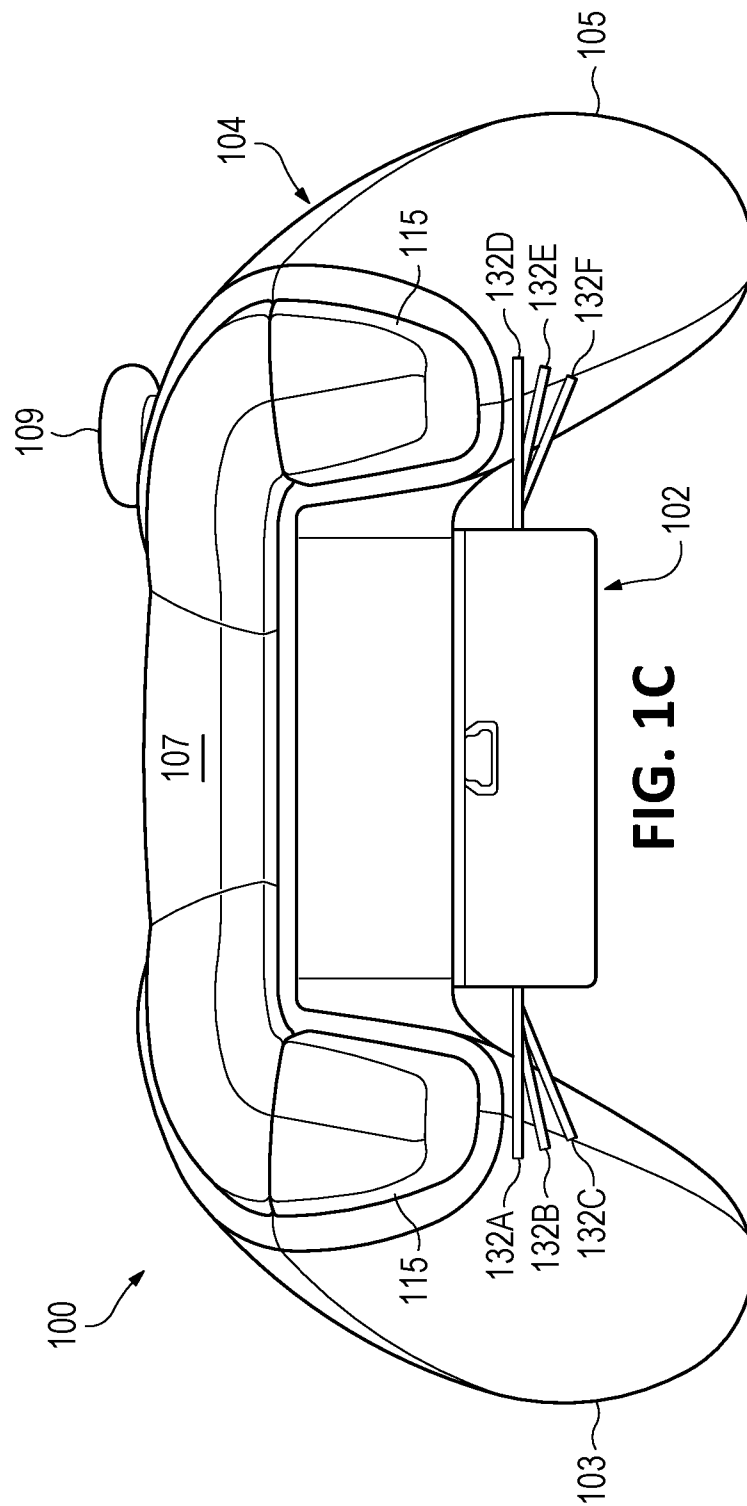


FIG. 1C

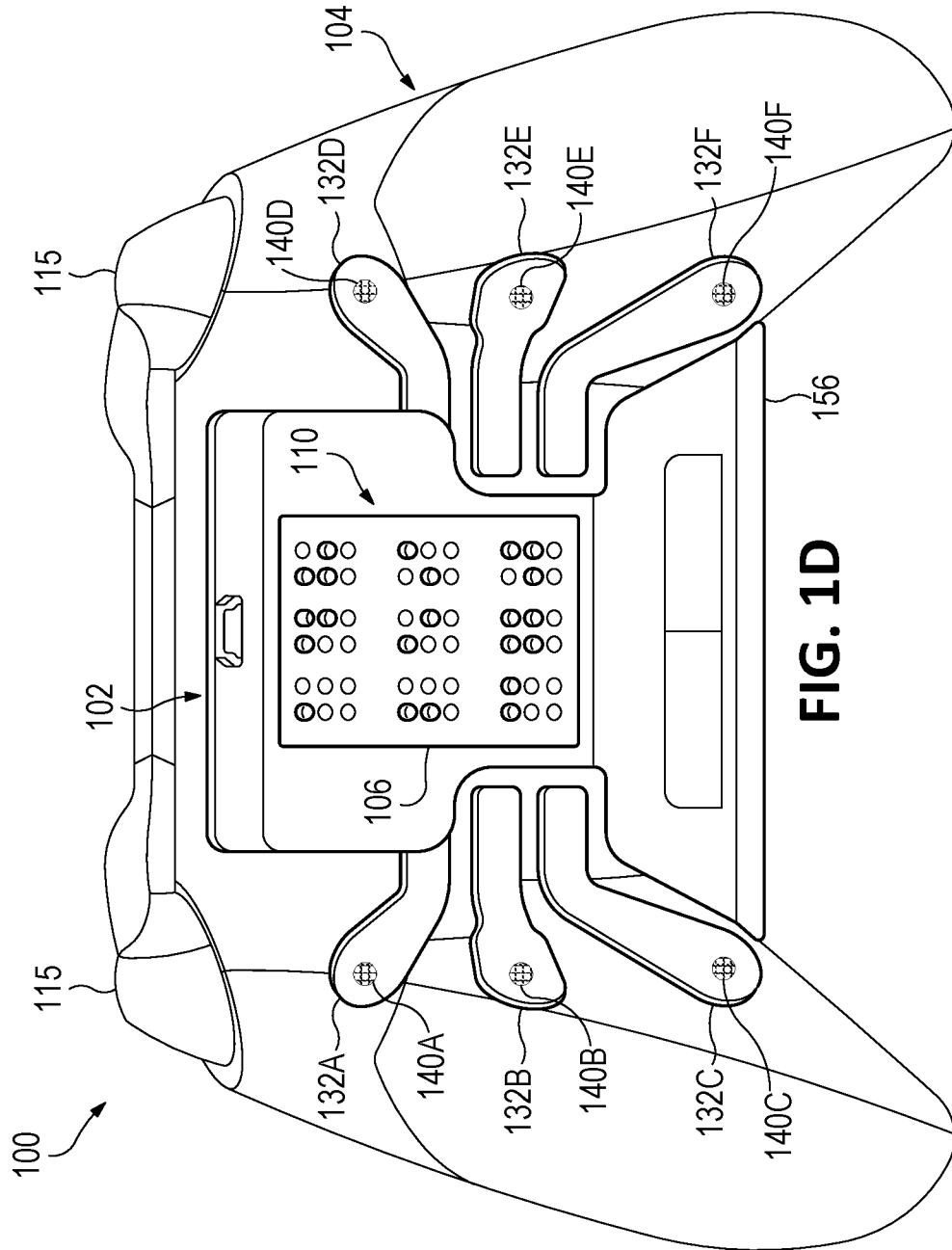


FIG. 1D

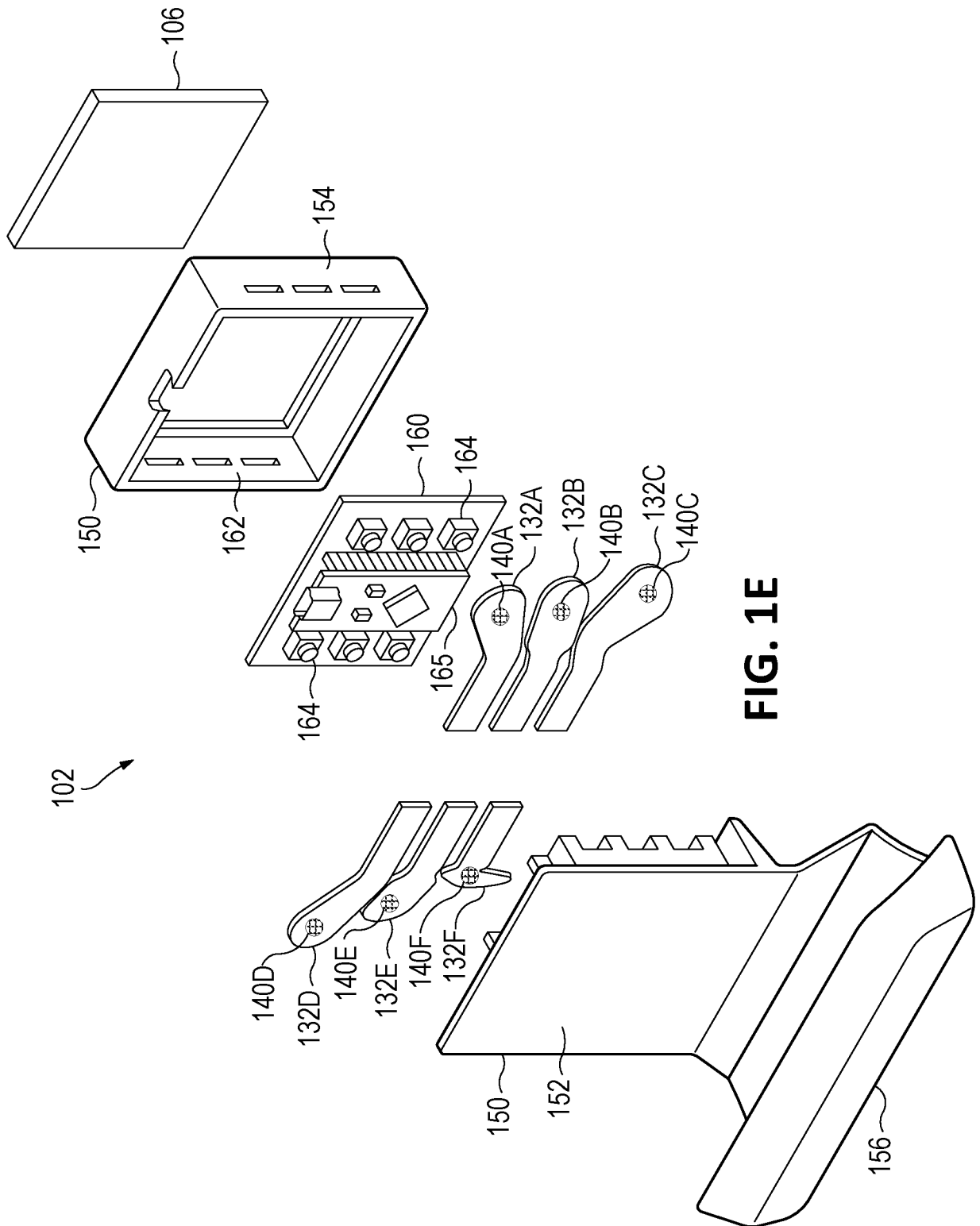


FIG. 1E

FIG. 2

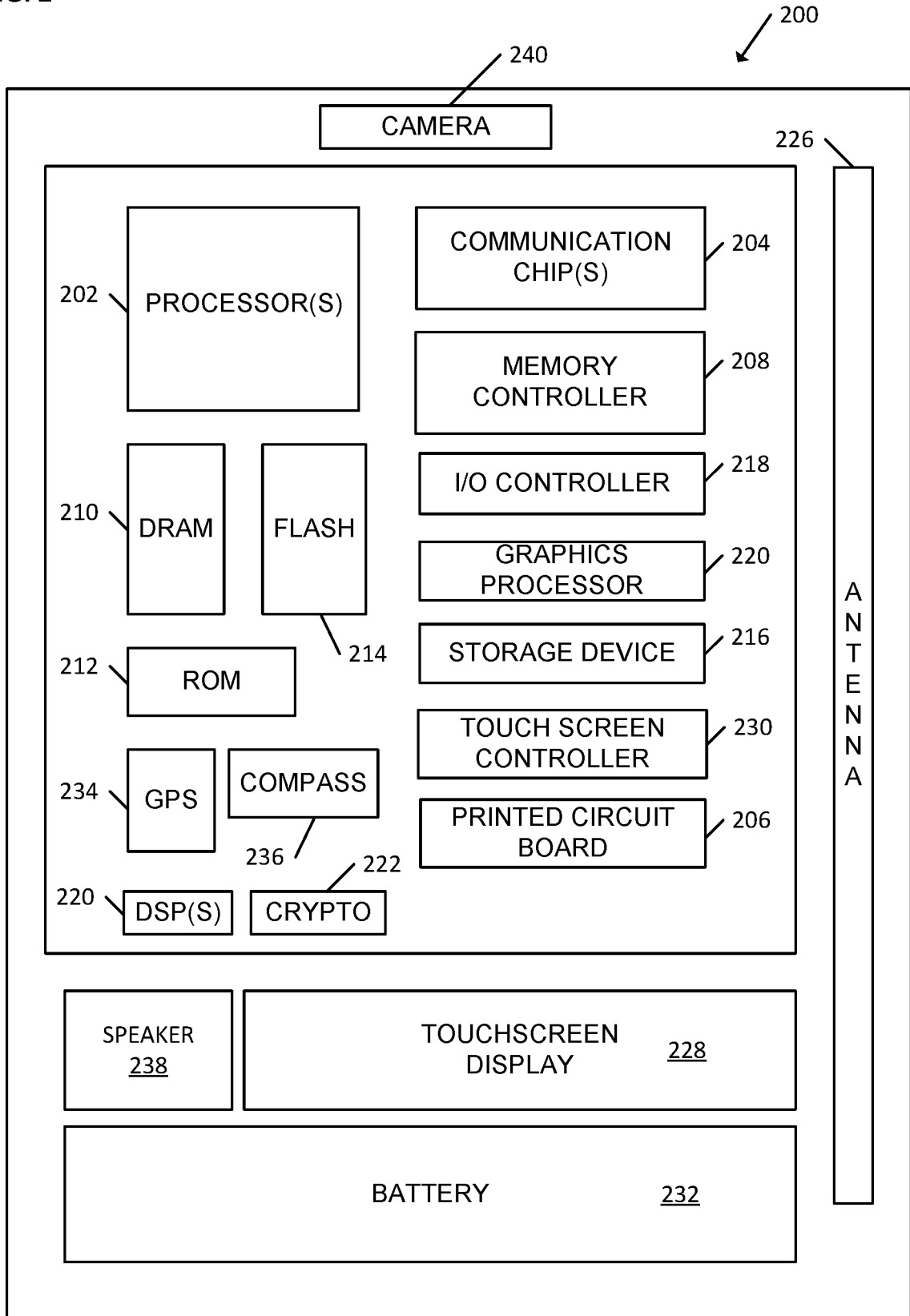
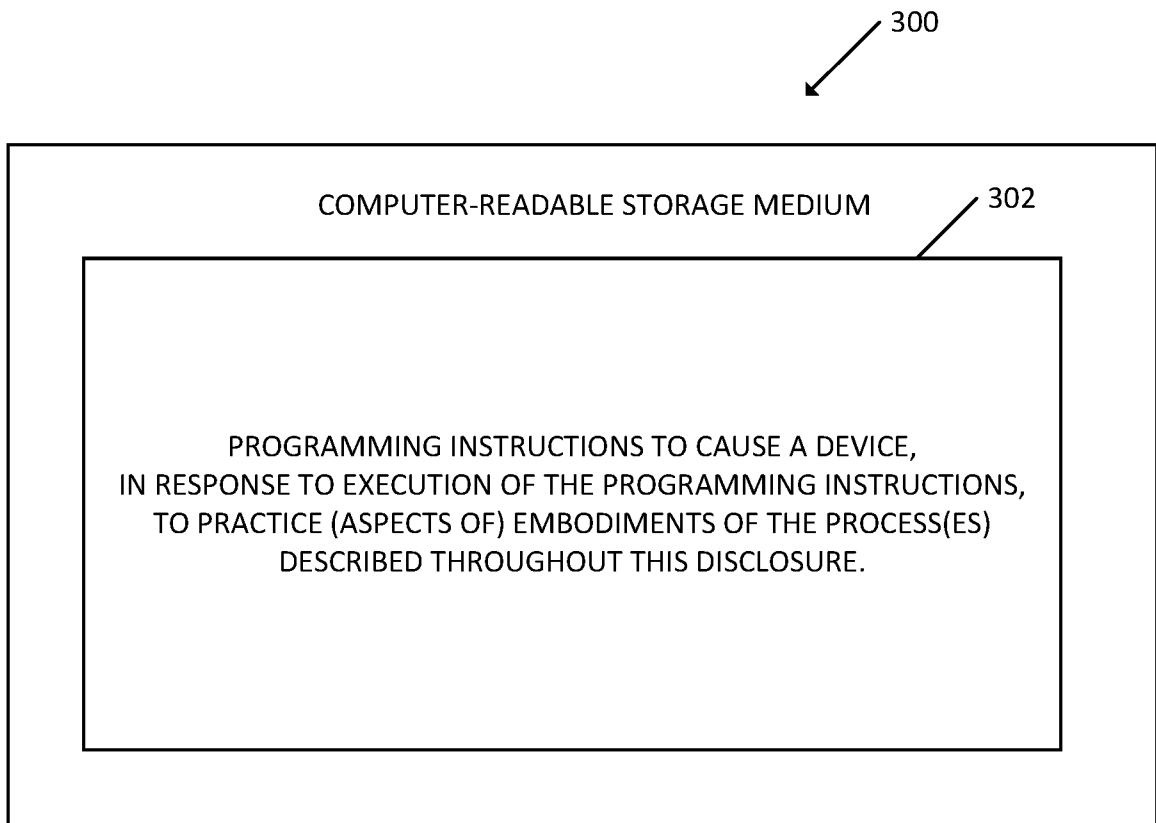


FIG. 3



INTERNATIONAL SEARCH REPORT

International application No
PCT/US2018/055764

A. CLASSIFICATION OF SUBJECT MATTER
INV. A63F13/285 A63F13/24 A63F13/214 G06F3/16 G09B21/02
ADD.
According to International Patent Classification (IPC) or to both national classification and IPC

B. FIELDS SEARCHED
Minimum documentation searched (classification system followed by classification symbols)
A63F G09B

Documentation searched other than minimum documentation to the extent that such documents are included in the fields searched

Electronic data base consulted during the international search (name of data base and, where practicable, search terms used)
EPO-Internal

C. DOCUMENTS CONSIDERED TO BE RELEVANT

Category*	Citation of document, with indication, where appropriate, of the relevant passages	Relevant to claim No.
X	US 6 639 510 B1 (SOULIE PHILIPPE [FR]) 28 October 2003 (2003-10-28)	1,3-5,7, 13
Y	column 2; figures 1,2,3A,3B column 3, lines 12-17,19-27	1,3-5,7, 13
A	column 4, lines 17-19,40F column 4, line BOTTOM - column 5, line TOP column 5, lines 1-23	2,6, 8-12,14, 15
A	----- WO 2007/112467 A1 (ABATEC ELECTRONIC AG [AT]; KANTNER EWALD [AT]) 11 October 2007 (2007-10-11) lines 3,29,32, paragraph 9	1-15
A	----- WO 02/21251 A1 (SOULIE PHILIPPE [FR]) 14 March 2002 (2002-03-14) the whole document	1-15
	----- -/--	

Further documents are listed in the continuation of Box C.

See patent family annex.

* Special categories of cited documents :

- "A" document defining the general state of the art which is not considered to be of particular relevance
- "E" earlier application or patent but published on or after the international filing date
- "L" document which may throw doubts on priority claim(s) or which is cited to establish the publication date of another citation or other special reason (as specified)
- "O" document referring to an oral disclosure, use, exhibition or other means
- "P" document published prior to the international filing date but later than the priority date claimed

- "T" later document published after the international filing date or priority date and not in conflict with the application but cited to understand the principle or theory underlying the invention
- "X" document of particular relevance; the claimed invention cannot be considered novel or cannot be considered to involve an inventive step when the document is taken alone
- "Y" document of particular relevance; the claimed invention cannot be considered to involve an inventive step when the document is combined with one or more other such documents, such combination being obvious to a person skilled in the art
- "&" document member of the same patent family

Date of the actual completion of the international search 11 January 2019	Date of mailing of the international search report 23/01/2019
Name and mailing address of the ISA/ European Patent Office, P.B. 5818 Patentlaan 2 NL - 2280 HV Rijswijk Tel. (+31-70) 340-2040, Fax: (+31-70) 340-3016	Authorized officer Ruf, Andreas

INTERNATIONAL SEARCH REPORT

International application No
PCT/US2018/055764

C(Continuation). DOCUMENTS CONSIDERED TO BE RELEVANT		
Category*	Citation of document, with indication, where appropriate, of the relevant passages	Relevant to claim No.
Y	US 2016/317919 A1 (GASSOWAY GABRIEL MICHAEL RASK [US] ET AL) 3 November 2016 (2016-11-03)	1,3-5,7, 13
A	paragraphs [0032] - [0040] -----	2,6, 8-12,14, 15

INTERNATIONAL SEARCH REPORT

Information on patent family members

International application No PCT/US2018/055764

Patent document cited in search report	Publication date	Patent family member(s)	Publication date
US 6639510	B1	28-10-2003	AT 240573 T 15-05-2003
		AU 2922500 A	21-09-2000
		CA 2365492 A1	08-09-2000
		DE 60002697 T2	26-02-2004
		EP 1166252 A1	02-01-2002
		ES 2198291 T3	01-02-2004
		FR 2790567 A1	08-09-2000
		JP 2002538509 A	12-11-2002
		US 6639510 B1	28-10-2003
		WO 0052665 A1	08-09-2000

WO 2007112467	A1	11-10-2007	EP 2041736 A1 01-04-2009
			WO 2007112467 A1 11-10-2007

WO 0221251	A1	14-03-2002	AU 8783801 A 22-03-2002
			EP 1317704 A1 11-06-2003
			FR 2813965 A1 15-03-2002
			WO 0221251 A1 14-03-2002

US 2016317919	A1	03-11-2016	CN 107548316 A 05-01-2018
			EP 3288653 A1 07-03-2018
			US 2016317919 A1 03-11-2016
			WO 2016176012 A1 03-11-2016
