



(12) **United States Design Patent**
Prushinskiy et al.

(10) **Patent No.:** **US D819,630 S**
(45) **Date of Patent:** **** Jun. 5, 2018**

(54) **ELECTRONIC DEVICE**
(71) Applicant: **Samsung Electronics Co., Ltd.**,
Suwon-si (KR)
(72) Inventors: **Valeriy Prushinskiy**, Hwaseong-si
(KR); **Oleg Feyngenson**, Hwaseong-si
(KR); **Junyoung Lee**, Hwaseong-si
(KR)
(73) Assignee: **SAMSUNG ELECTRONICS CO.,**
LTD., Suwon-si (KR)
(**) Term: **15 Years**
(21) Appl. No.: **29/598,376**
(22) Filed: **Mar. 24, 2017**

(30) **Foreign Application Priority Data**
Oct. 4, 2016 (KR) 30-2016-0047540
(51) **LOC (11) Cl.** **14-02**
(52) **U.S. Cl.**
USPC **D14/345**
(58) **Field of Classification Search**
USPC D14/125–129, 137, 138 AA, 138 AB,
D14/138 G, 138 C, 138 R, 154, 159–165,
(Continued)

(56) **References Cited**
U.S. PATENT DOCUMENTS
D356,120 S * 3/1995 Allen D21/335
D477,634 S * 7/2003 Malone D19/26
(Continued)

FOREIGN PATENT DOCUMENTS
EM 002456921-0002 6/2016

OTHER PUBLICATIONS
Roblin, Amelia, "The Flexible Modile Device Can Pucker to Store
in Any Pocket", Published Jan. 9, 2011 on the internet at

trendhunter.com, <<http://www.trendhunter.com/trends/flexible-modile-device>> (Last accessed Mar. 28, 2017).

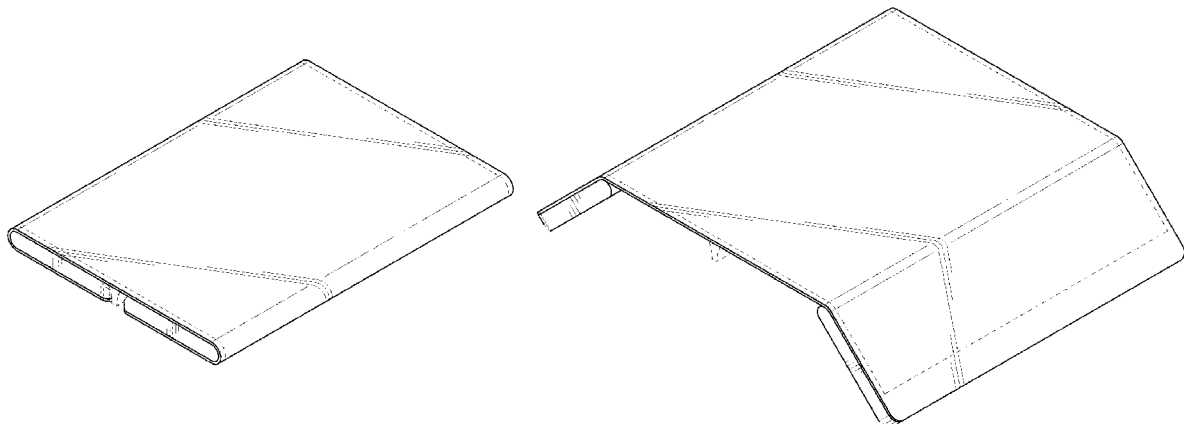
Primary Examiner — Barbara Fox
Assistant Examiner — Dana K Weiland
(74) *Attorney, Agent, or Firm* — McAndrews Held &
Malloy, Ltd.

(57) **CLAIM**
The ornamental design for an electronic device, as shown
and described.

DESCRIPTION

FIG. 1 is a top perspective view of an electronic device
showing our new design in a closed state;
FIG. 2 is a front elevation view thereof;
FIG. 3 is a rear elevation view thereof;
FIG. 4 is a left side view thereof;
FIG. 5 is a right side view thereof;
FIG. 6 is a top plan view thereof;
FIG. 7 is a bottom plan view thereof;
FIG. 8 is a bottom perspective view thereof;
FIG. 9 is a top perspective view thereof, showing our new
design in a partially opened state;
FIG. 10 is a front elevation view thereof;
FIG. 11 is a rear elevation view thereof;
FIG. 12 is a left side view thereof;
FIG. 13 is a right side view thereof;
FIG. 14 is a top plan view thereof;
FIG. 15 is a bottom plan view thereof;
FIG. 16 is a bottom perspective view thereof;
FIG. 17 is a top perspective view thereof, showing our new
design in a fully opened state;
FIG. 18 is a front elevation view thereof;
FIG. 19 is a rear elevation view thereof;
FIG. 20 is a left side view thereof;
FIG. 21 is a right side view thereof;
FIG. 22 is a top plan view thereof;
FIG. 23 is a bottom plan view thereof; and,
FIG. 24 is a bottom perspective view thereof.

(Continued)



The broken lines in the drawings depict portions of the electronic device that form no part of the claimed design.

1 Claim, 12 Drawing Sheets

(58) **Field of Classification Search**

USPC D14/167, 168, 170–172, 188, 192, 194,
 D14/203.1, 0.3, 0.4, 0.7, 204, 205, 207,
 D14/214–216, 223, 224, 238.1, 239, 248,
 D14/250, 251, 253, 308, 317, 331, 336,
 D14/337, 341–347, 371–377, 388, 389,
 D14/420, 432, 439, 440, 447, 448, 451,
 D14/452, 457, 496; D6/308, 310,
 D6/406.1–406.6, 601; D10/104.1, 50, 65
 CPC G06F 1/1601; G06F 1/1605; G06F 1/162;
 G06F 1/1613; G06F 1/1647; G06F
 1/1641; G06F 1/1616; G06F 1/1652;
 G06F 3/04883; G06F 3/0486; G06F
 3/0487; G06F 3/0484; H04M 1/0214
 See application file for complete search history.

(56) **References Cited**

U.S. PATENT DOCUMENTS

D523,078 S * 6/2006 Ong D19/26
 D549,283 S * 8/2007 Bharna D19/27

D551,265 S * 9/2007 Brinson D15/122
 D585,444 S 1/2009 Verschoor
 D694,754 S * 12/2013 Nakada D14/373
 D719,541 S 12/2014 Lee et al.
 9,013,368 B1 * 4/2015 Kim G06F 3/1446
 345/1.1
 D743,690 S * 11/2015 Kumar D2/999
 D749,571 S * 2/2016 Park D14/203.4
 D750,036 S * 2/2016 Endo D14/126
 D760,219 S * 6/2016 Yamazaki D14/341
 D761,254 S * 7/2016 Yamazaki D14/341
 9,430,184 B2 * 8/2016 Cho G06F 1/1652
 D768,624 S * 10/2016 Bae D14/331
 D775,601 S * 1/2017 Lee D14/138 AB
 D777,131 S * 1/2017 Lee D14/138 AB
 D777,132 S * 1/2017 Lee D14/138 AB
 D789,925 S * 6/2017 Browning D14/341
 D798,257 S * 9/2017 Choo D14/138 AB
 2011/0241998 A1 * 10/2011 McKinney G06F 1/1616
 345/168
 2014/0347806 A1 * 11/2014 Totani G06F 1/1647
 361/679.27
 2015/0062927 A1 * 3/2015 Hirakata H01L 51/0097
 362/362
 2016/0034047 A1 * 2/2016 Lee G09G 5/373
 345/156

* cited by examiner

FIG. 1

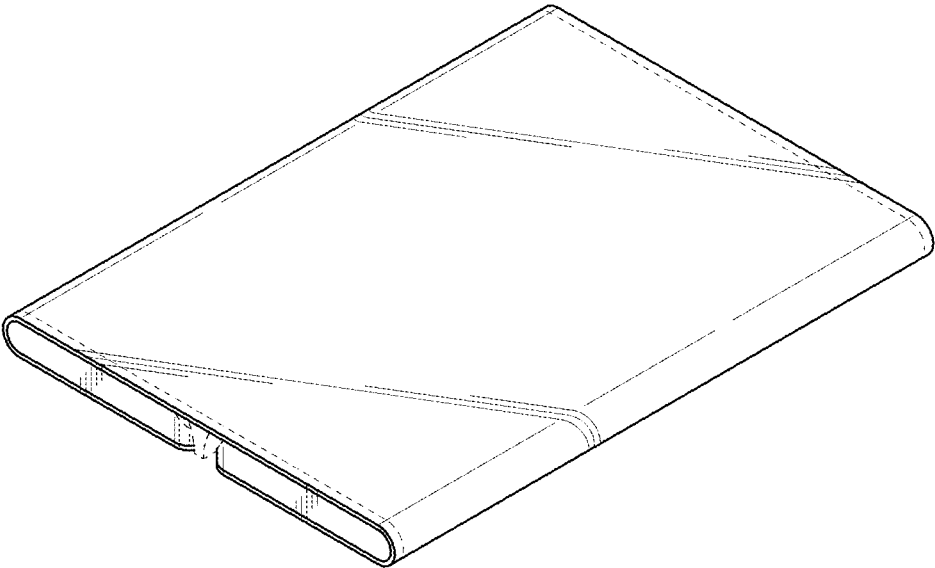


FIG.2



FIG.3

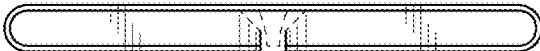


FIG.4



FIG.5



FIG.6

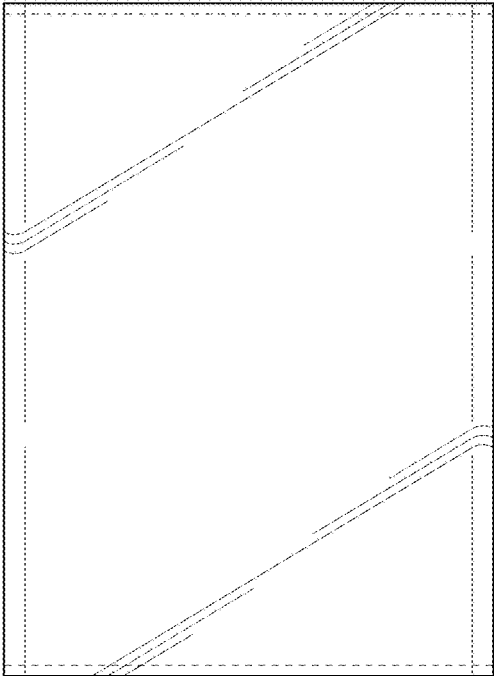


FIG.7

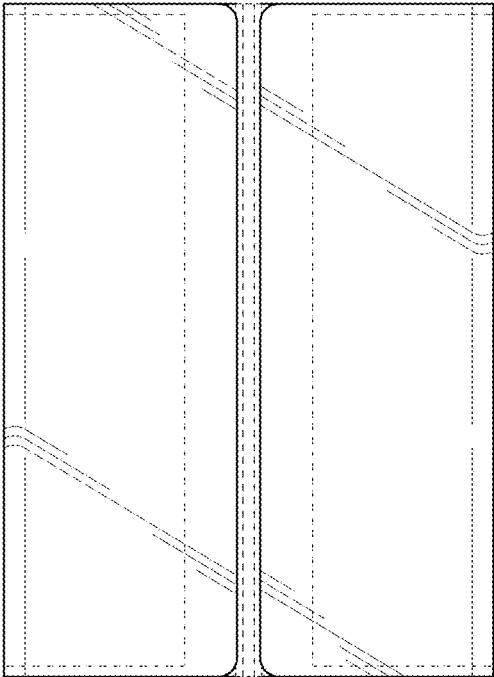


FIG.8

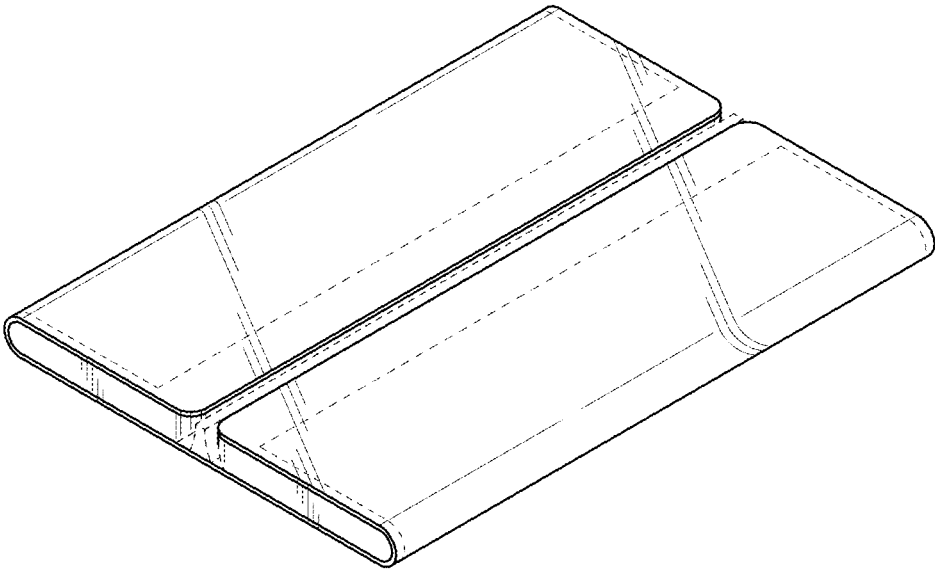


FIG.9

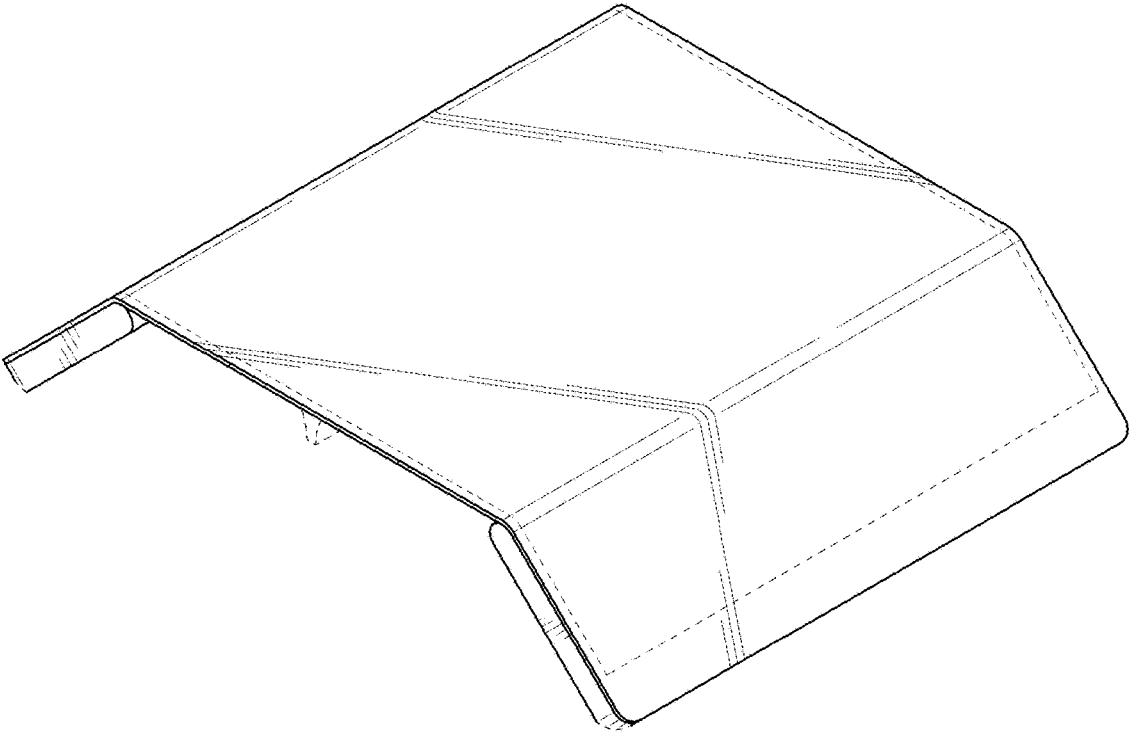


FIG.10

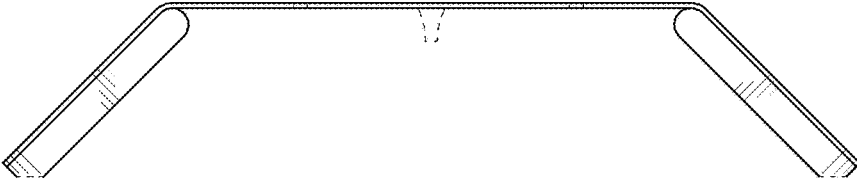


FIG.11

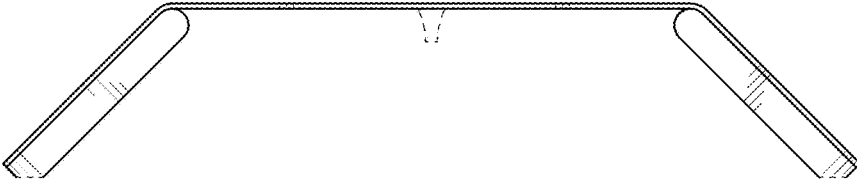


FIG.12

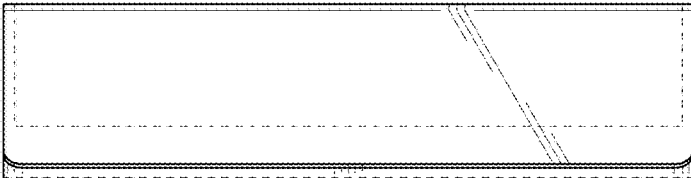


FIG.13

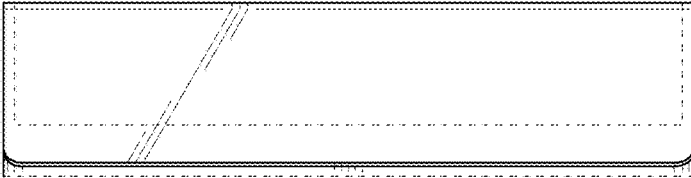


FIG.14

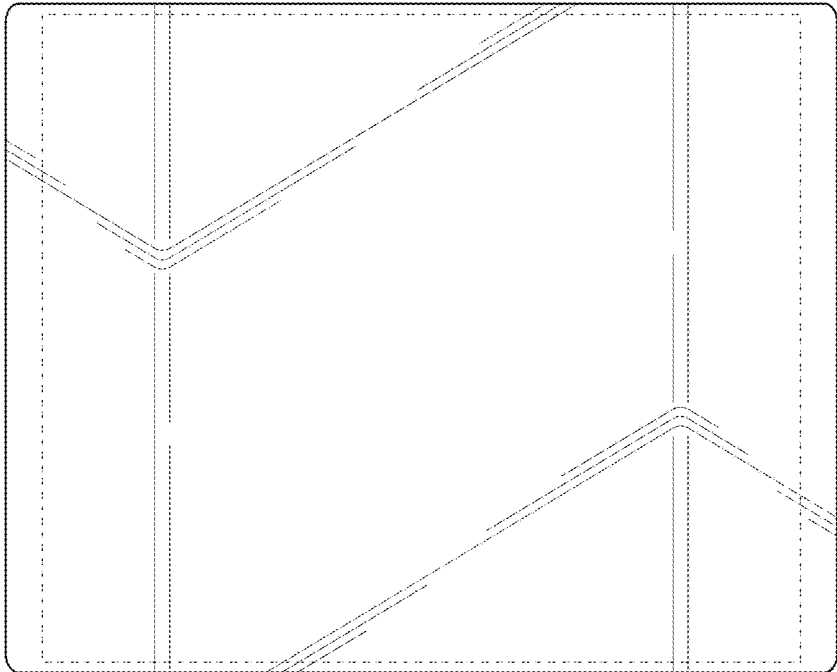


FIG.15

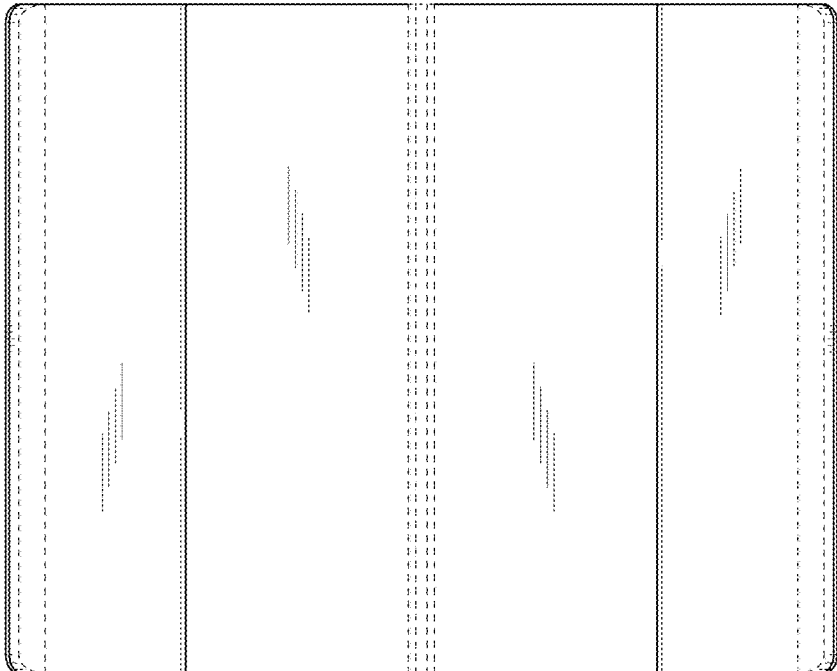


FIG.16

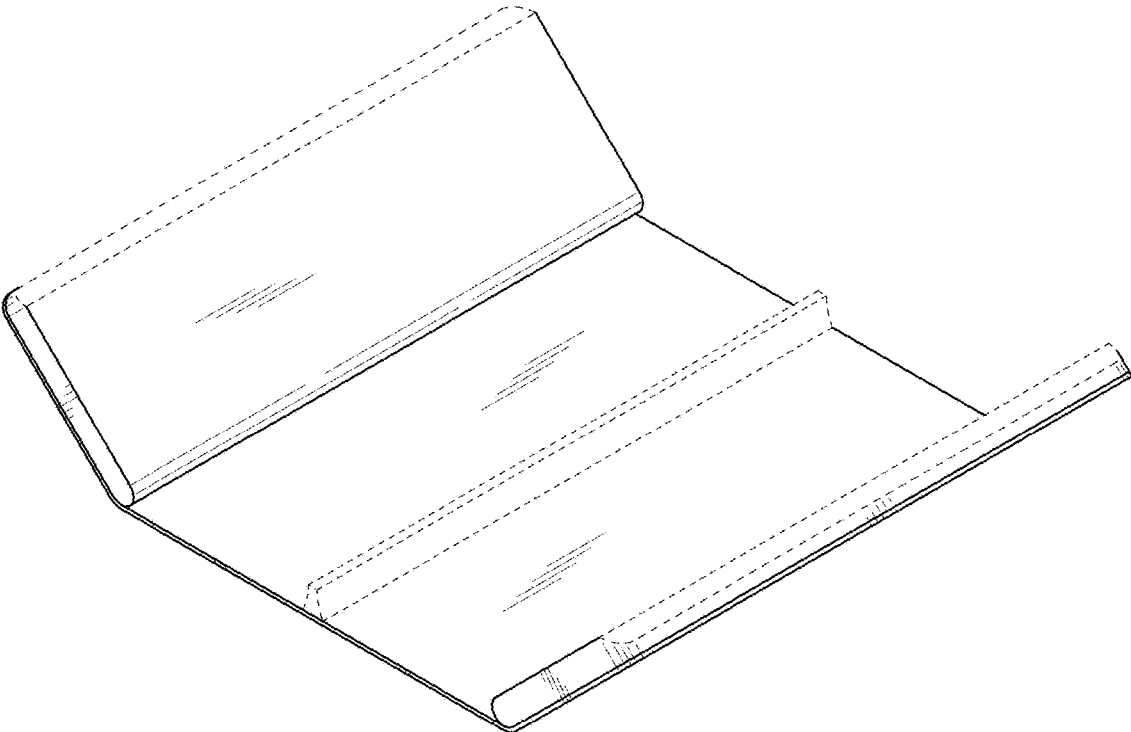


FIG.17

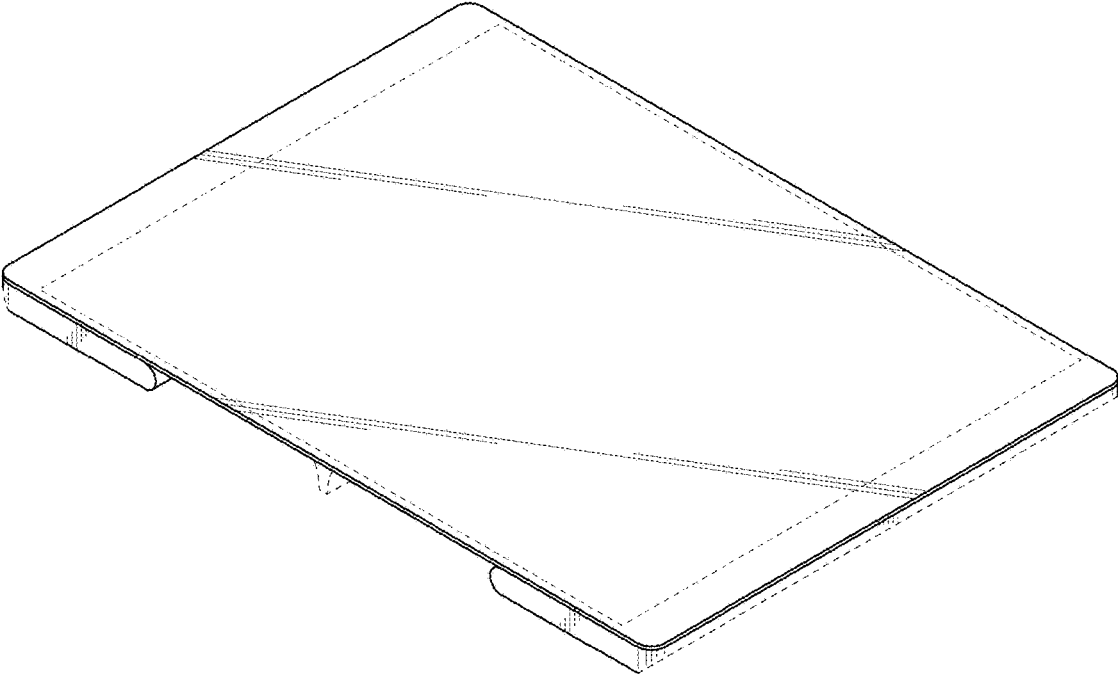


FIG.18



FIG.19

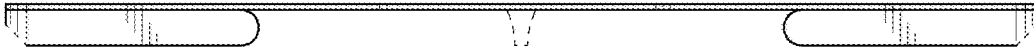


FIG.20

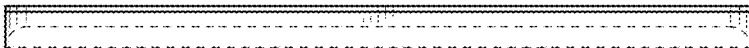


FIG.21

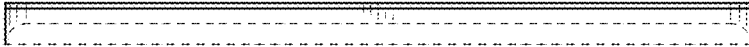


FIG.22

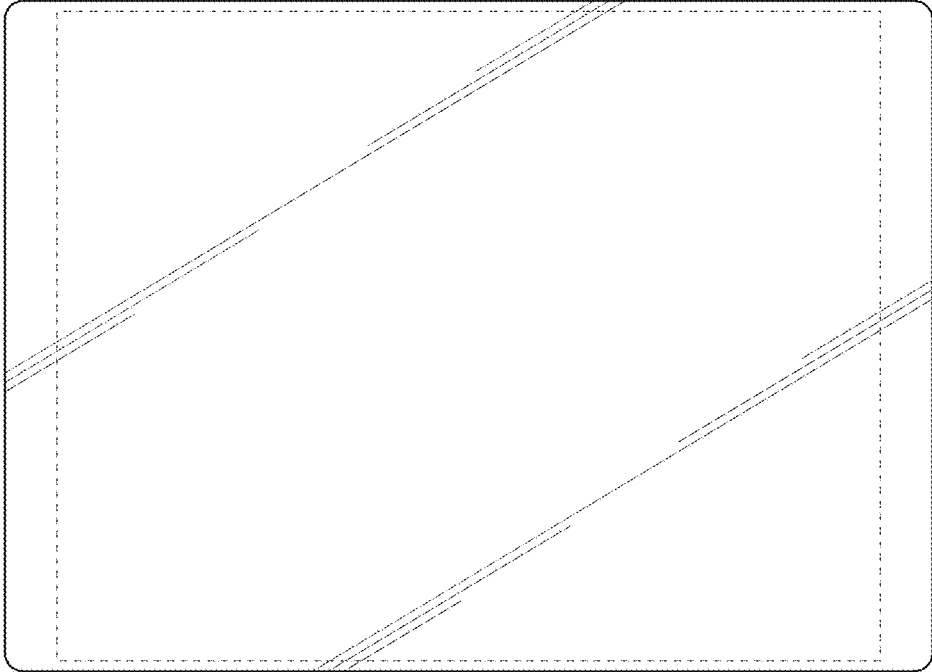


FIG.23

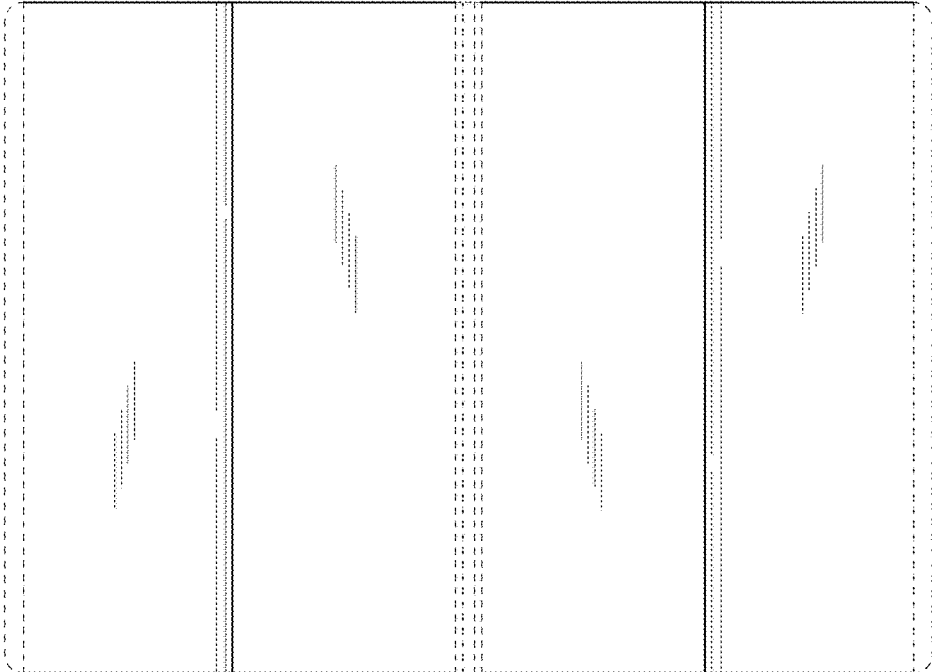


FIG.24

