



US00D830983S

(12) **United States Design Patent** (10) **Patent No.:** **US D830,983 S**
Park (45) **Date of Patent:** **** Oct. 16, 2018**

(54) **TELEVISION RECEIVER**

FOREIGN PATENT DOCUMENTS

(71) Applicant: **Samsung Electronics Co., Ltd.**,
Suwon-si (KR)

CN	303542400 S	1/2016
KR	30-0741883	5/2014
KR	30-0725350	1/2015
KR	30-0782362	2/2015
KR	30-0854384	5/2016

(72) Inventor: **Jinsu Park**, Seoul (KR)

* cited by examiner

(73) Assignee: **SAMSUNG ELECTRONICS CO., LTD.**, Suwon-si (KR)

Primary Examiner — Randall H Gholson
(74) *Attorney, Agent, or Firm* — McAndrews Held & Malloy, Ltd.

(**) Term: **15 Years**

(21) Appl. No.: **29/601,829**

(22) Filed: **Apr. 26, 2017**

(57) **CLAIM**

The ornamental design for a television receiver, as shown and described.

(30) **Foreign Application Priority Data**

Oct. 27, 2016 (KR) 30-2016-0051573

DESCRIPTION

(51) **LOC (11) Cl.** **14-03**

(52) **U.S. Cl.**
USPC **D14/126**

(58) **Field of Classification Search**
USPC D14/125–134, 239, 371, 136, 374–377, D14/440, 450, 448, 336, 342, 159; 312/7.2; 348/836, 838, 180, 184, 325, 348/739; 248/917–924, 465; 345/104, 345/133, 156, 168, 87, 173; D21/329, D21/515, 577, 622, 333, 433, 448, 452, D21/450, 331, 505; D10/15, 26; 446/484, 175, 356; D6/477, 479, 300; D24/185; D34/14
CPC ... G06F 1/1601; G06F 1/1643; H05K 5/0004; H05K 5/0017; H05K 5/02; H05K 5/0217
See application file for complete search history.

FIG. 1 is a top front perspective view of a television receiver showing my new design;
FIG. 2 is a front elevation view thereof;
FIG. 3 is a rear elevation view thereof;
FIG. 4 is a left-side elevation view thereof;
FIG. 5 is a right-side elevation view thereof;
FIG. 6 is a top plan view thereof;
FIG. 7 is a bottom plan view thereof;
FIG. 8 is a top rear perspective view thereof;
FIG. 9 is a bottom rear perspective view thereof;
FIG. 10 is an enlarged view of the portion encircled in FIG. 1;
FIG. 11 is a front elevation view thereof, showing environment to illustrate that the television receiver may be used as a television when in a first state; and,
FIG. 12 is a front perspective view thereof, showing environment to illustrate that the television receiver may be used as a mirror when in a second state.
The dashed broken lines in the drawings represent environment and portions of the television receiver that form no part of the claimed design.

(56) **References Cited**

U.S. PATENT DOCUMENTS

D750,583 S *	3/2016	Lee	D14/126
D755,744 S *	5/2016	Williams, Jr.	D14/126
D774,482 S *	12/2016	Hong	D14/126

1 Claim, 12 Drawing Sheets

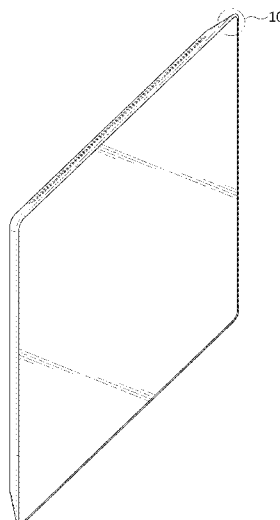


FIG. 1

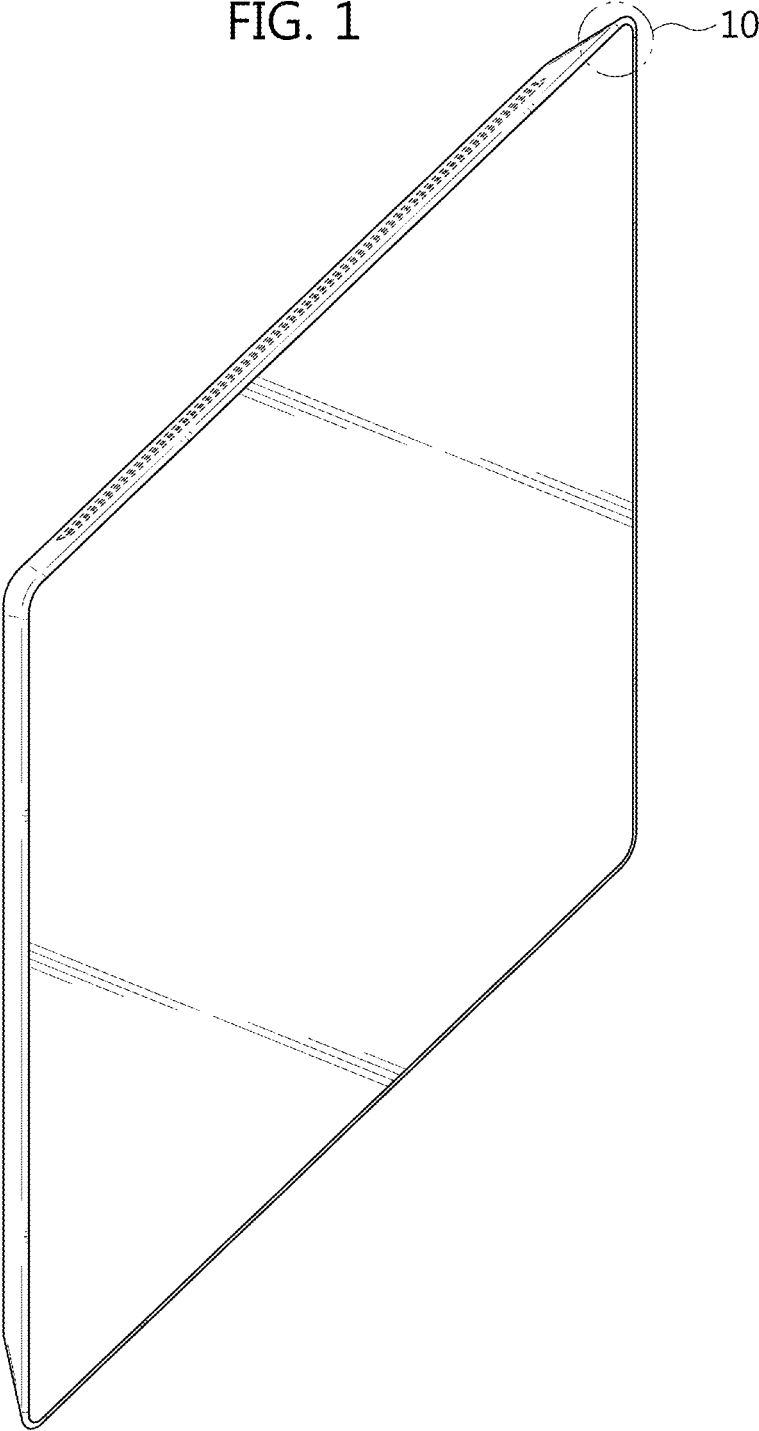


FIG. 2

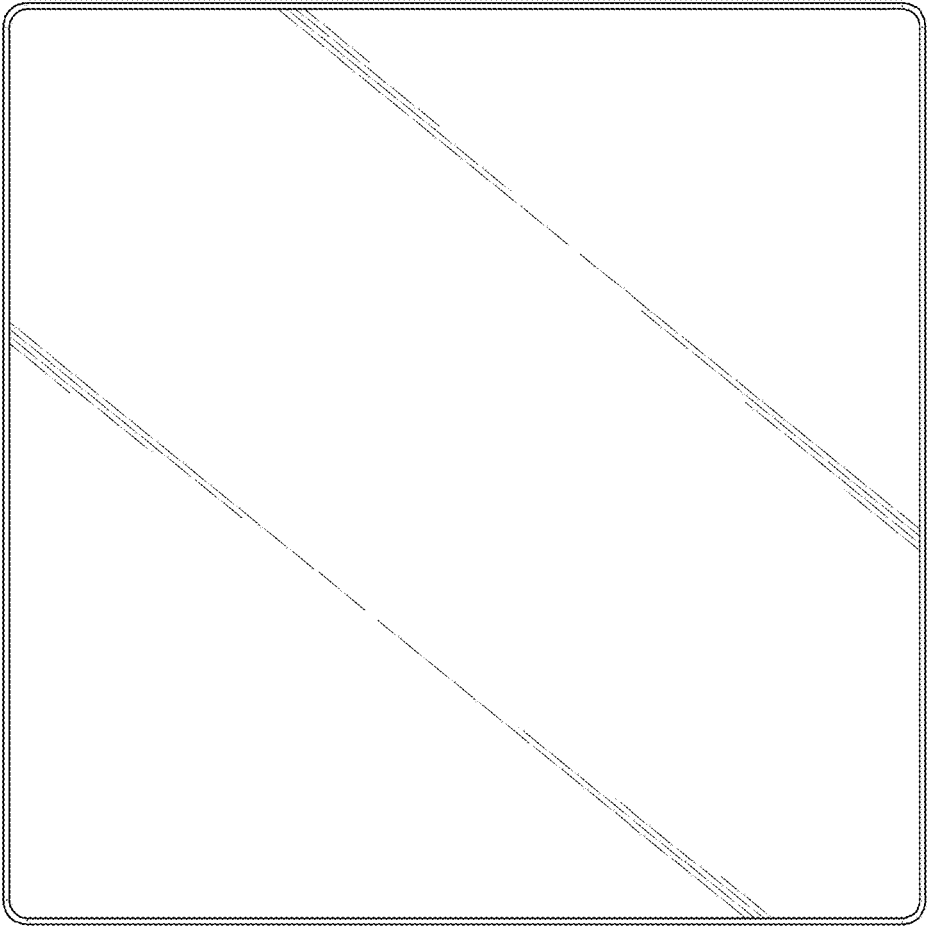


FIG. 3

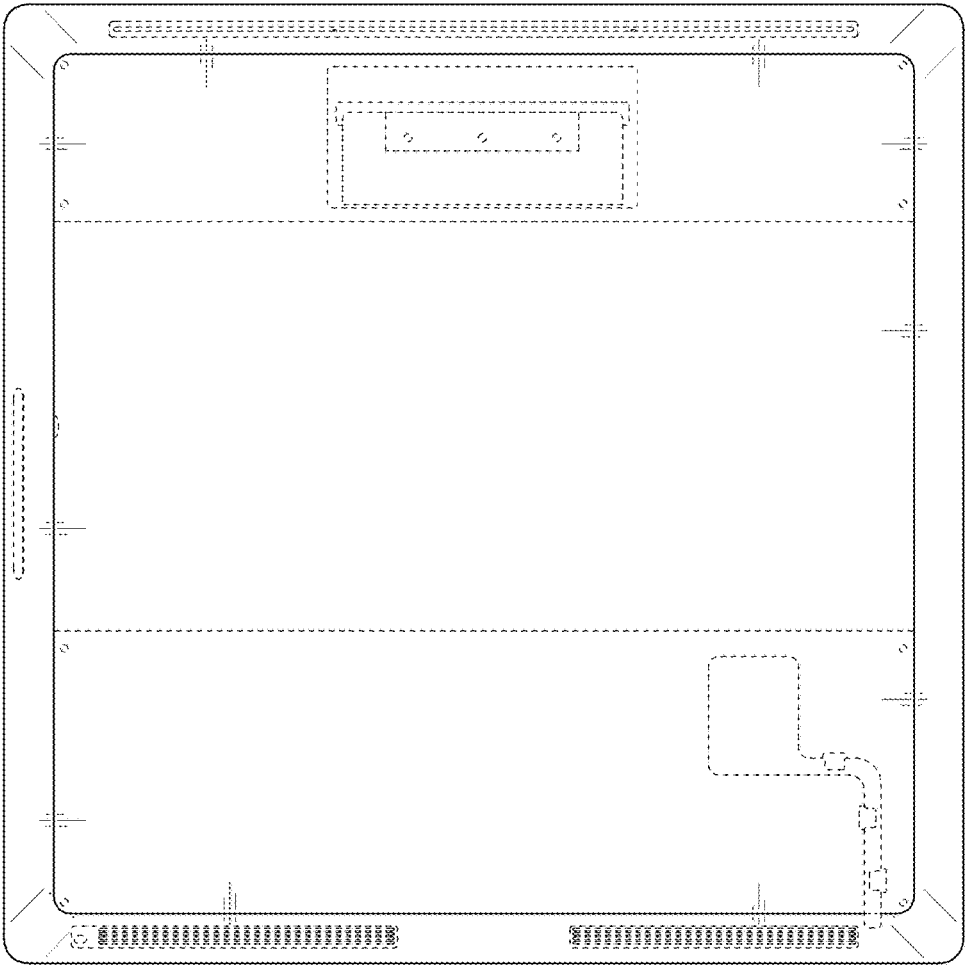


FIG. 4



FIG. 5

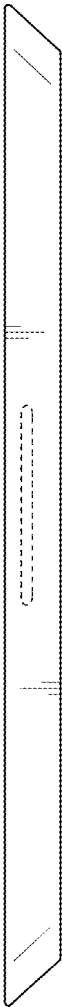


FIG. 6

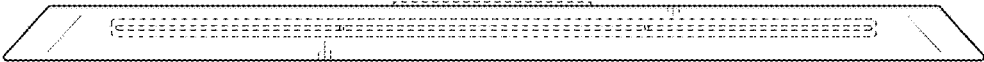


FIG. 7



FIG. 8

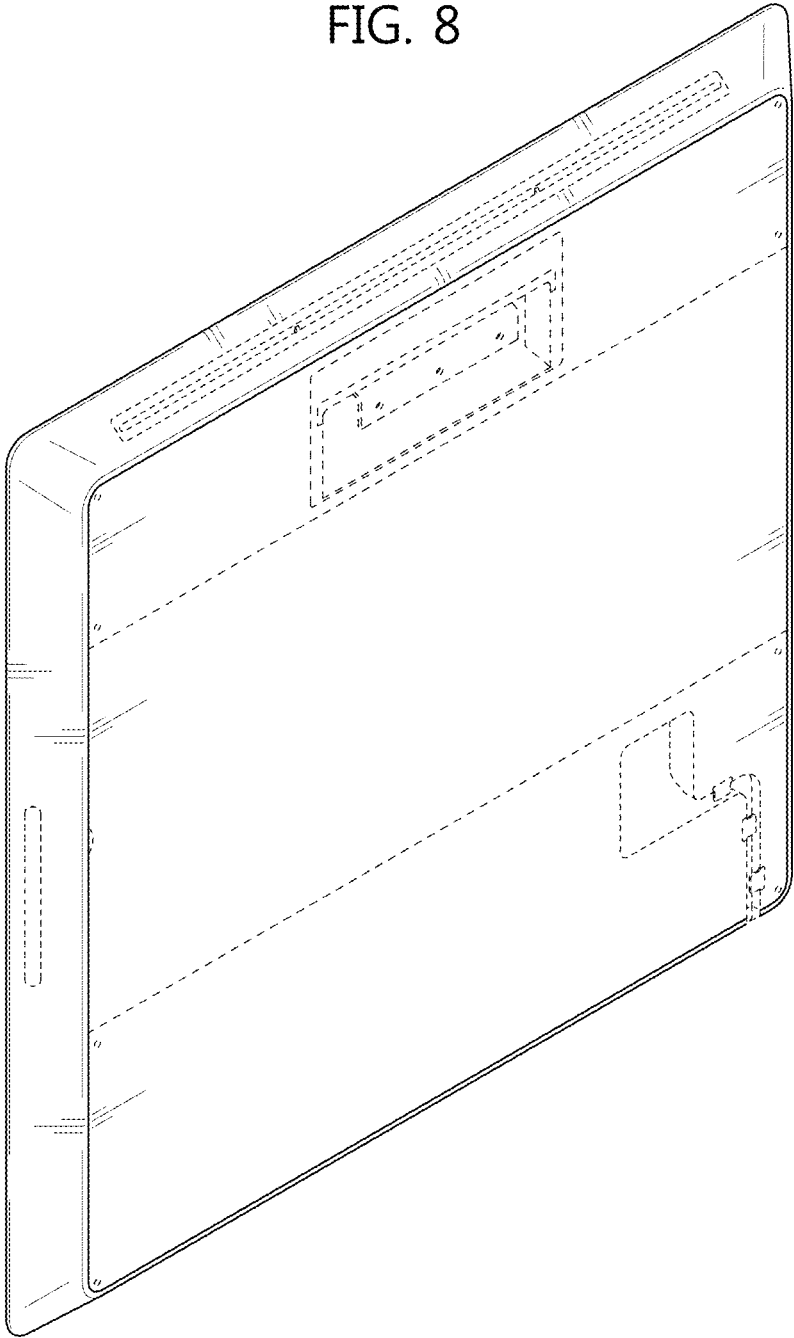


FIG. 9

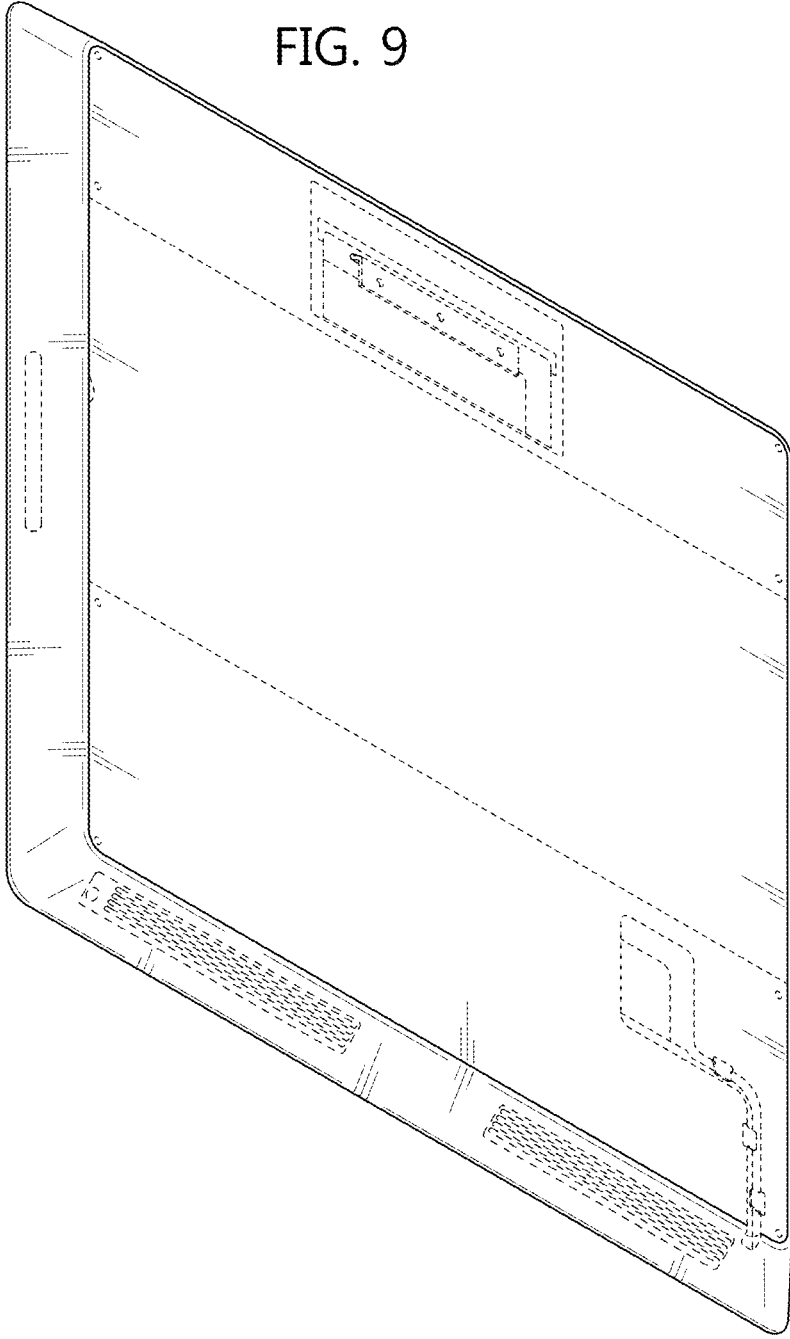


FIG. 10

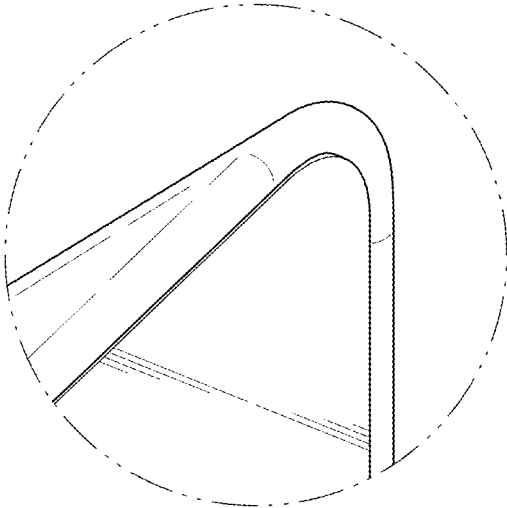


FIG. 11

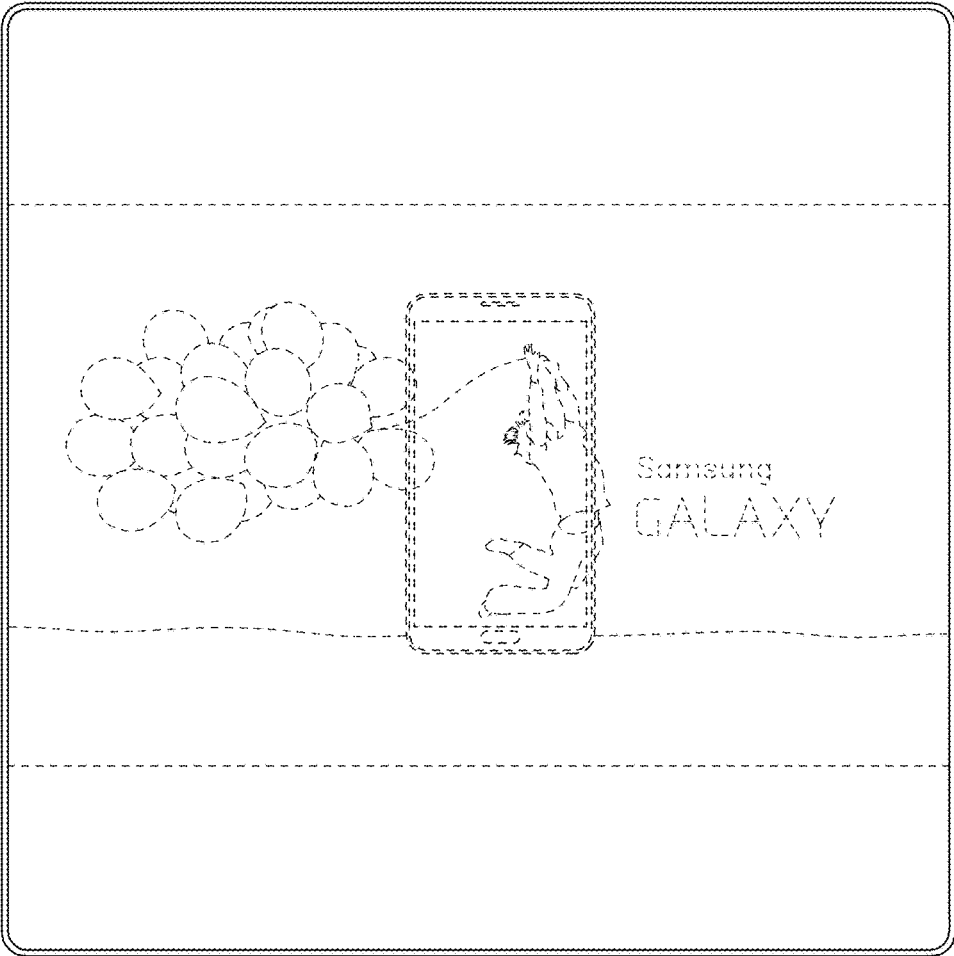


FIG. 12

