

FIG. 1

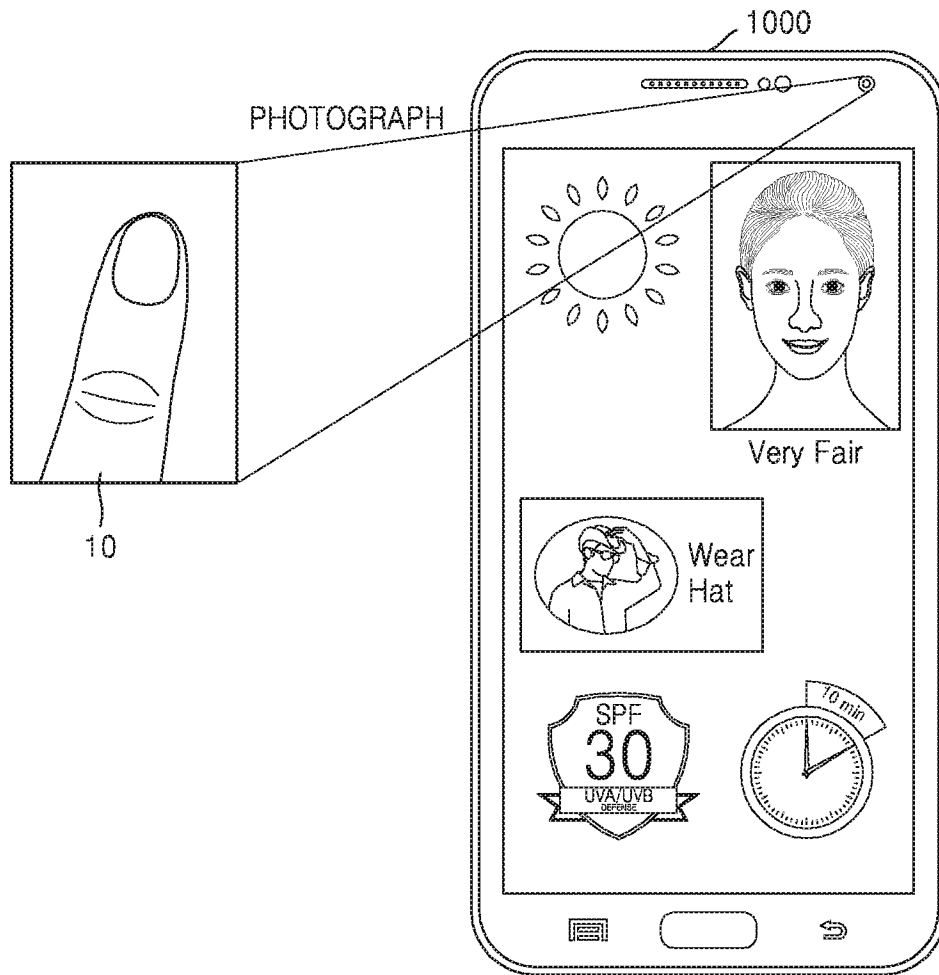


FIG. 2

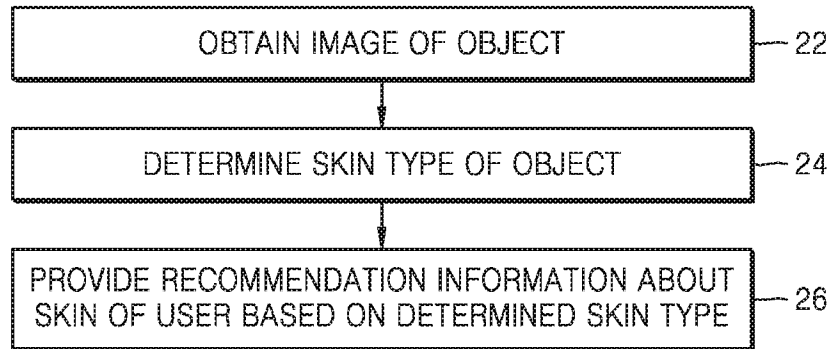


FIG. 3

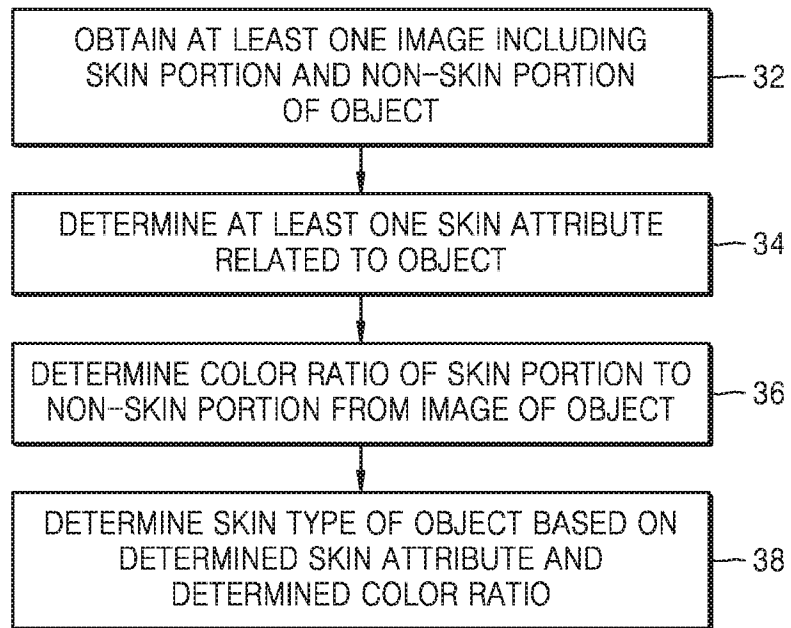


FIG. 4

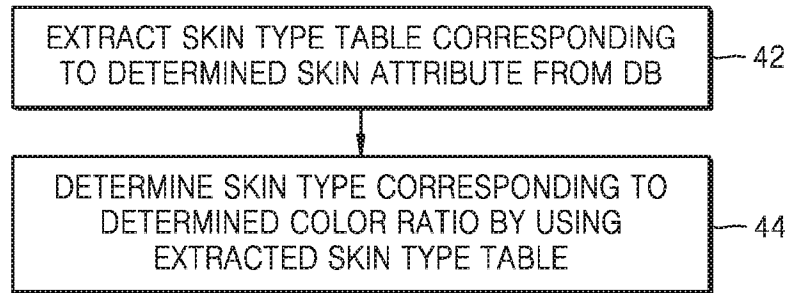


FIG. 5

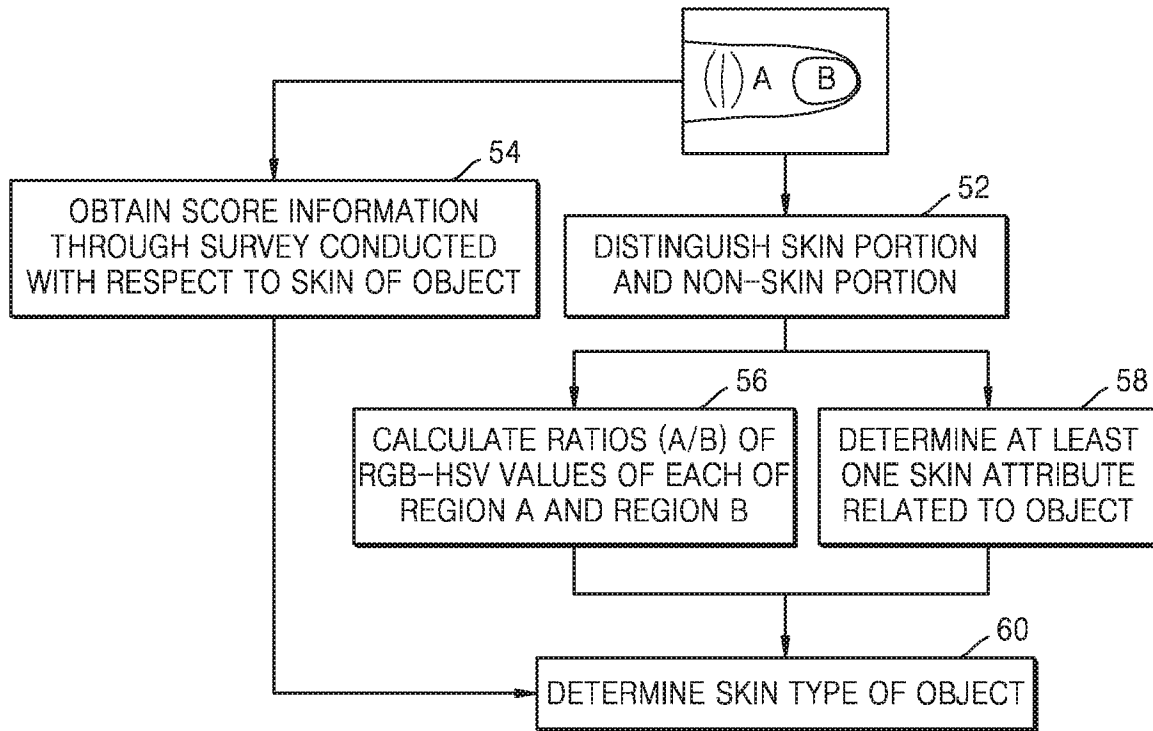


FIG. 6

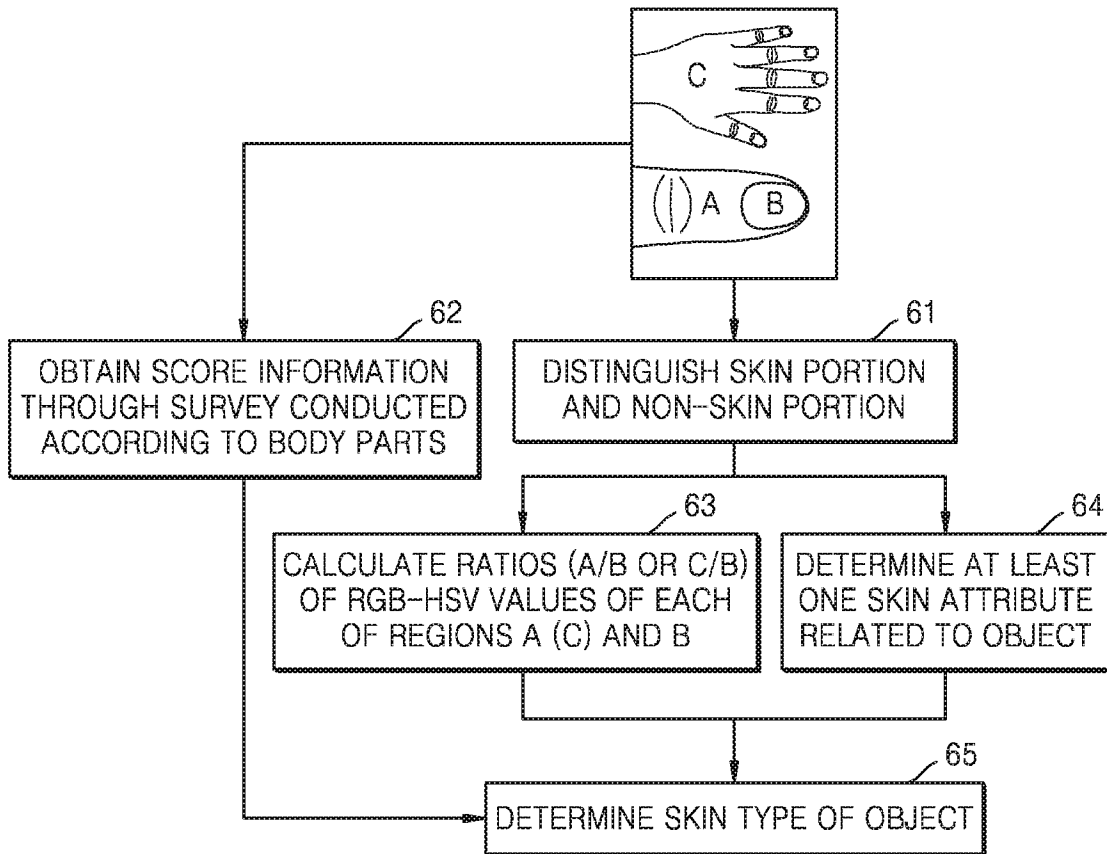


FIG. 7A

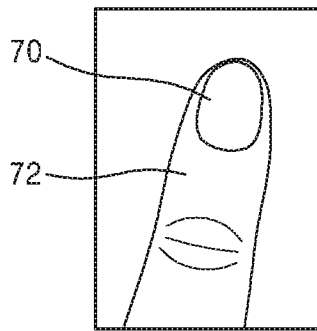


FIG. 7B

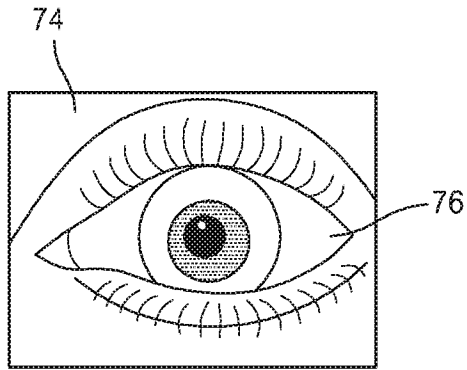


FIG. 8

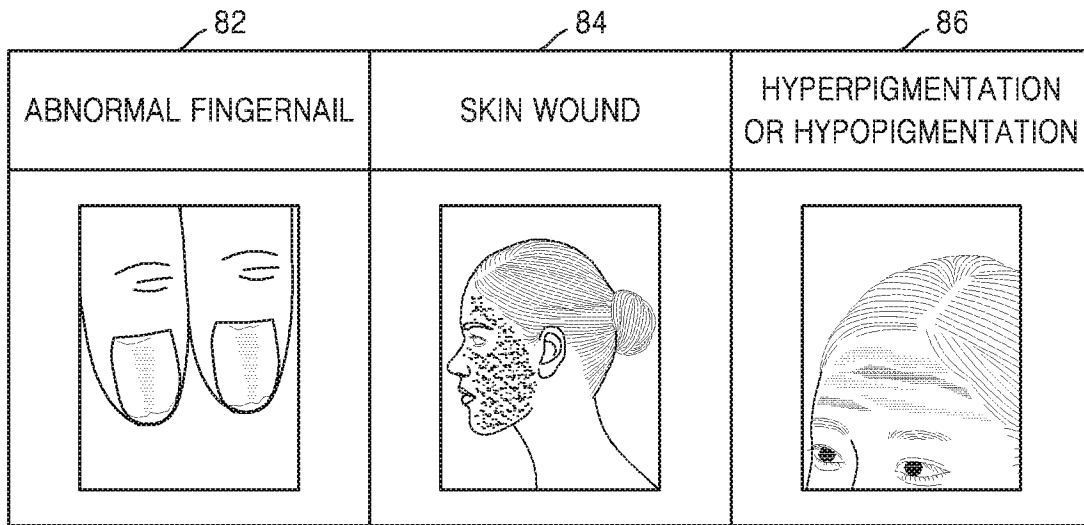


FIG. 9

| SKIN TYPE | |
|--|----|
| FIRST SKIN TYPE | 91 |
| VERY EASILY HAS SUNBURN AND IS BARELY TANNED (VERY FAIR SKIN) | |
| SECOND SKIN TYPE | 92 |
| EASILY HAS SUNBURN AND IS SLIGHTLY TANNED (FAIR SKIN) | |
| THIRD SKIN TYPE | 93 |
| HAS MEDIUM POSSIBILITIES OF HAVING SUNBURN AND BEING TANNED (LIGHT BROWN SKIN) | |
| FOURTH SKIN TYPE | 94 |
| OCCASIONALLY HAS SUNBURN AND IS EASILY TANNED (MEDIUM BROWN SKIN) | |
| FIFTH SKIN TYPE | 95 |
| BARELY HAS SUNBURN AND IS VERY EASILY TANNED (DARK BROWN SKIN) | |
| SIXTH SKIN TYPE | 96 |
| DOES NOT HAVE SUNBURN (DARK DARK SKIN) | |

FIG. 10

| COLOR RATIO BETWEEN SKIN PORTION OF HAND TO FINGERNAIL PORTION | FIRST SKIN TYPE | SECOND SKIN TYPE | THIRD SKIN TYPE | FOURTH SKIN TYPE | FIFTH SKIN TYPE | SIXTH SKIN TYPE |
|--|-----------------|------------------|-----------------|------------------|-----------------|-----------------|
| R | ... | ... | 10.4 | 32.4 | ... | ... |
| G | ... | ... | 3.5 | 2.1 | ... | ... |
| B | ... | ... | 21 | 44.6 | ... | ... |
| H | ... | ... | 79.5 | 43.2 | ... | ... |
| S | ... | ... | 4.8 | 13.9 | ... | ... |
| V | ... | ... | 0.96 | 3.1 | ... | ... |

FIG. 11

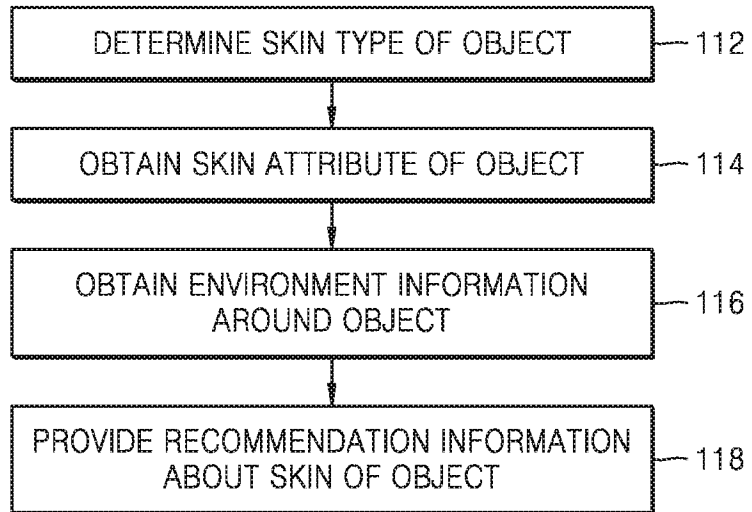


FIG. 12

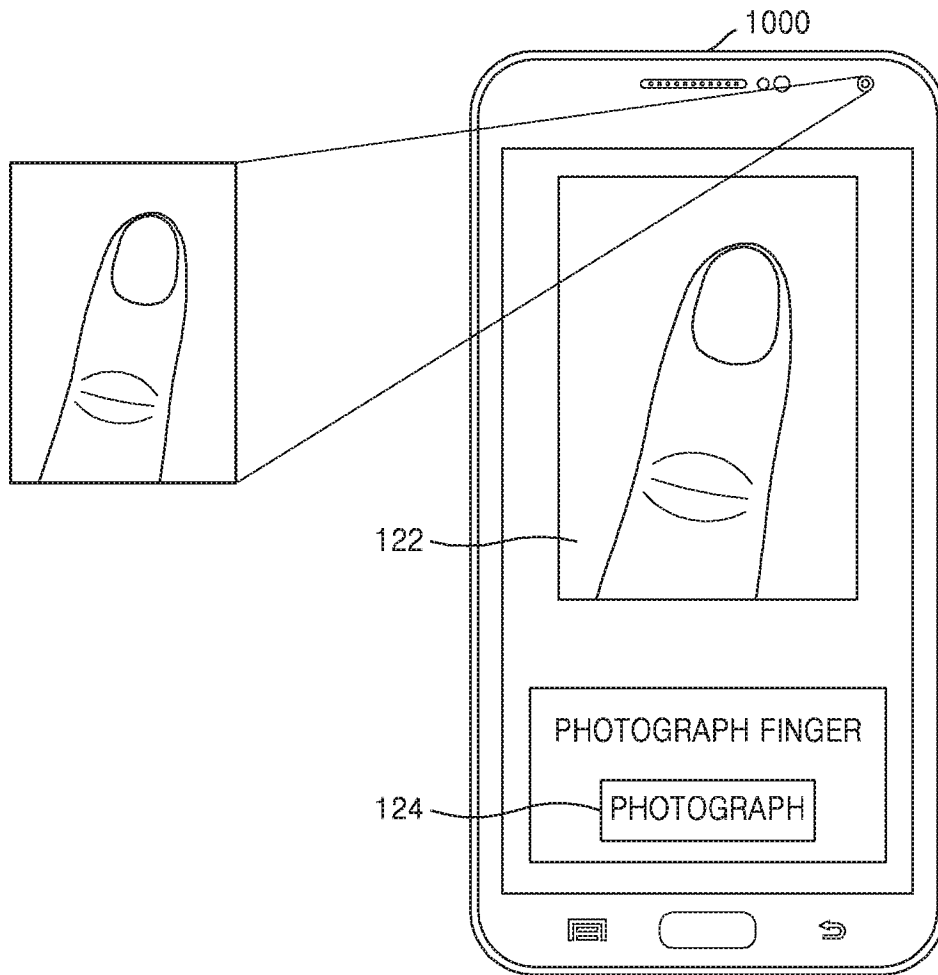


FIG. 13A

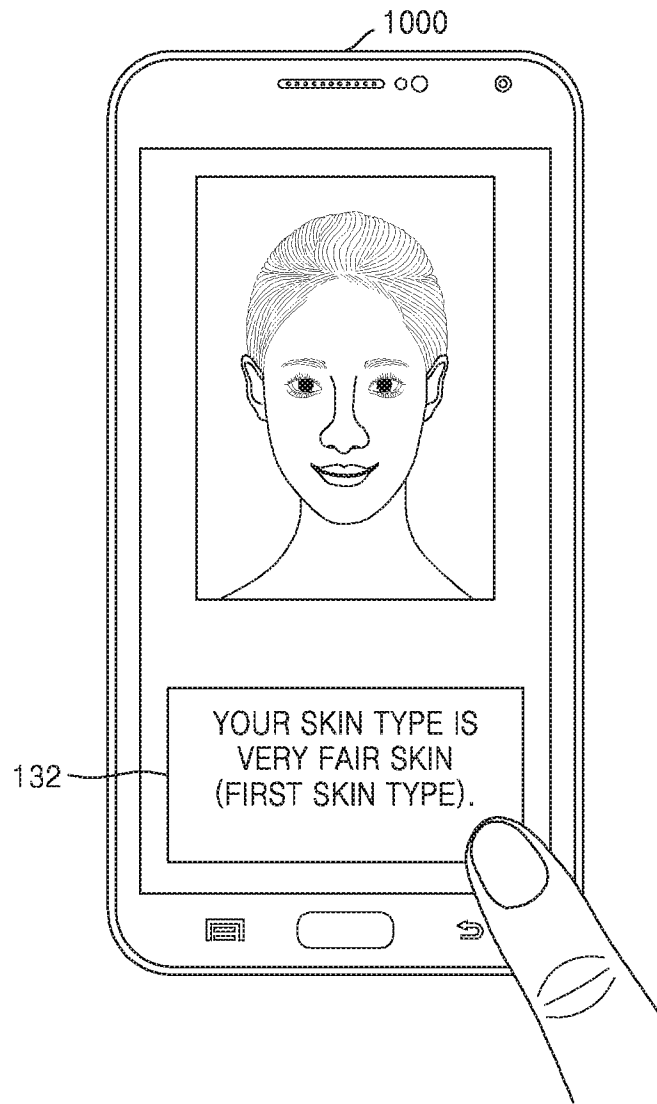


FIG. 13B

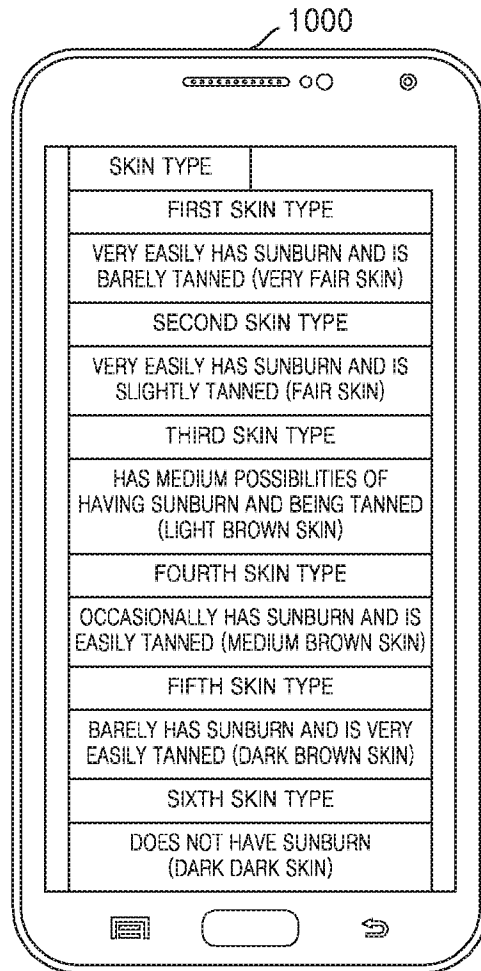


FIG. 14

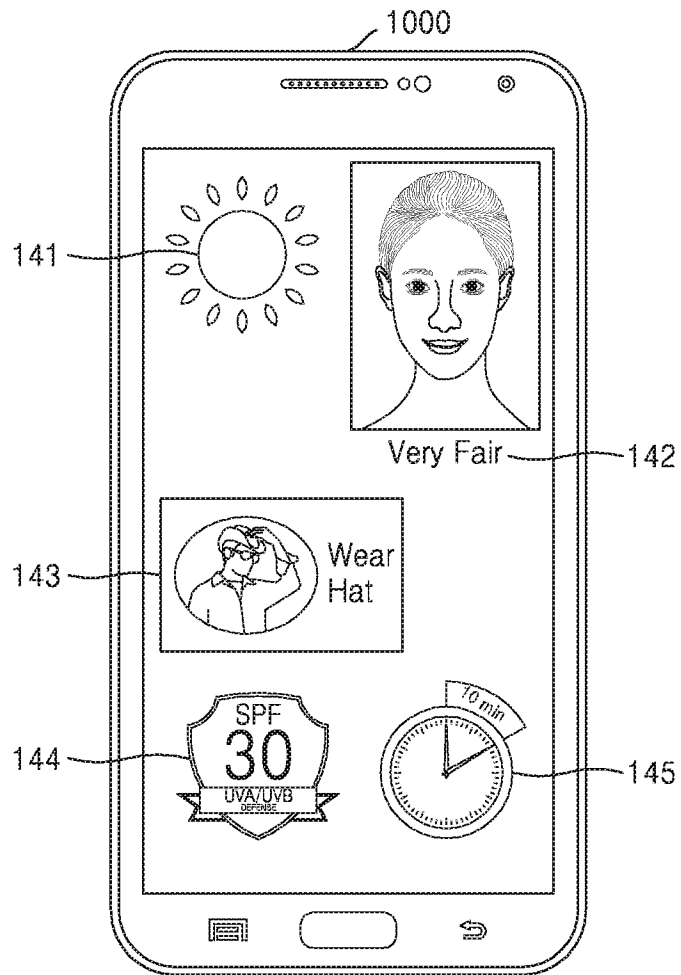


FIG. 15

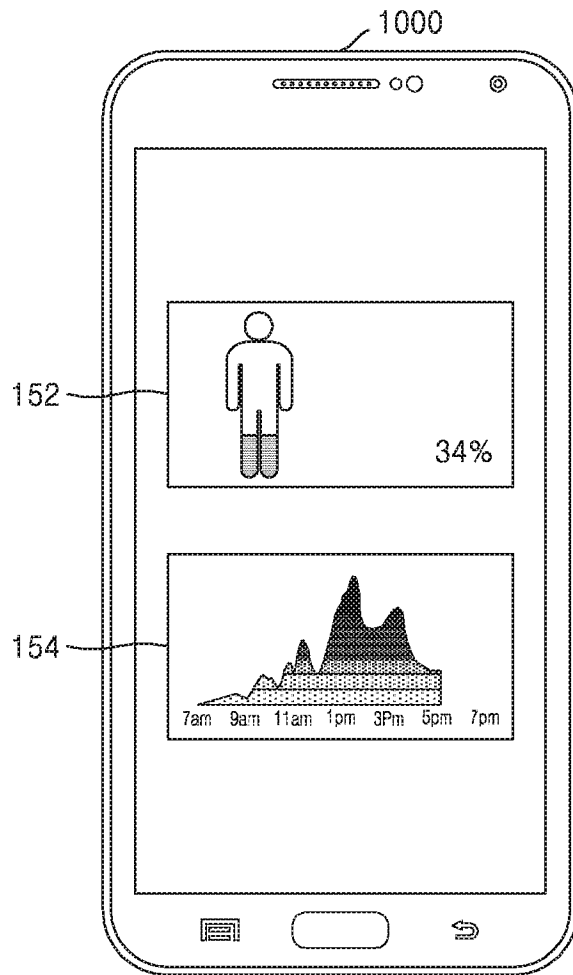
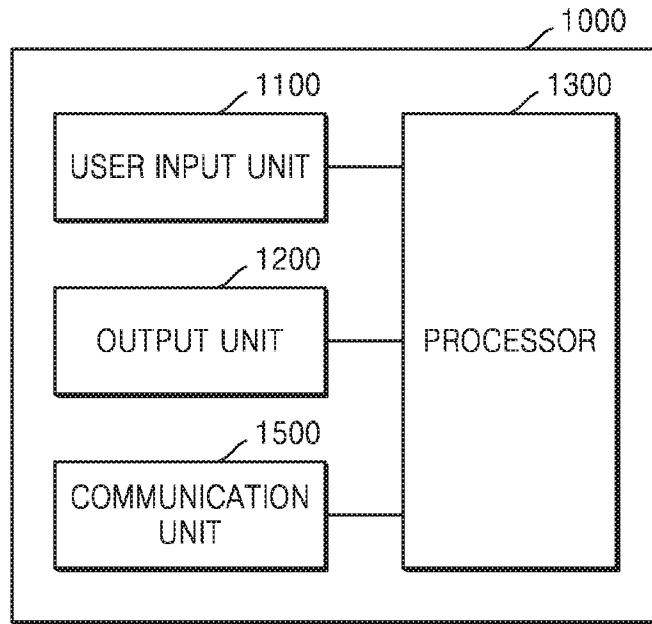


FIG. 16



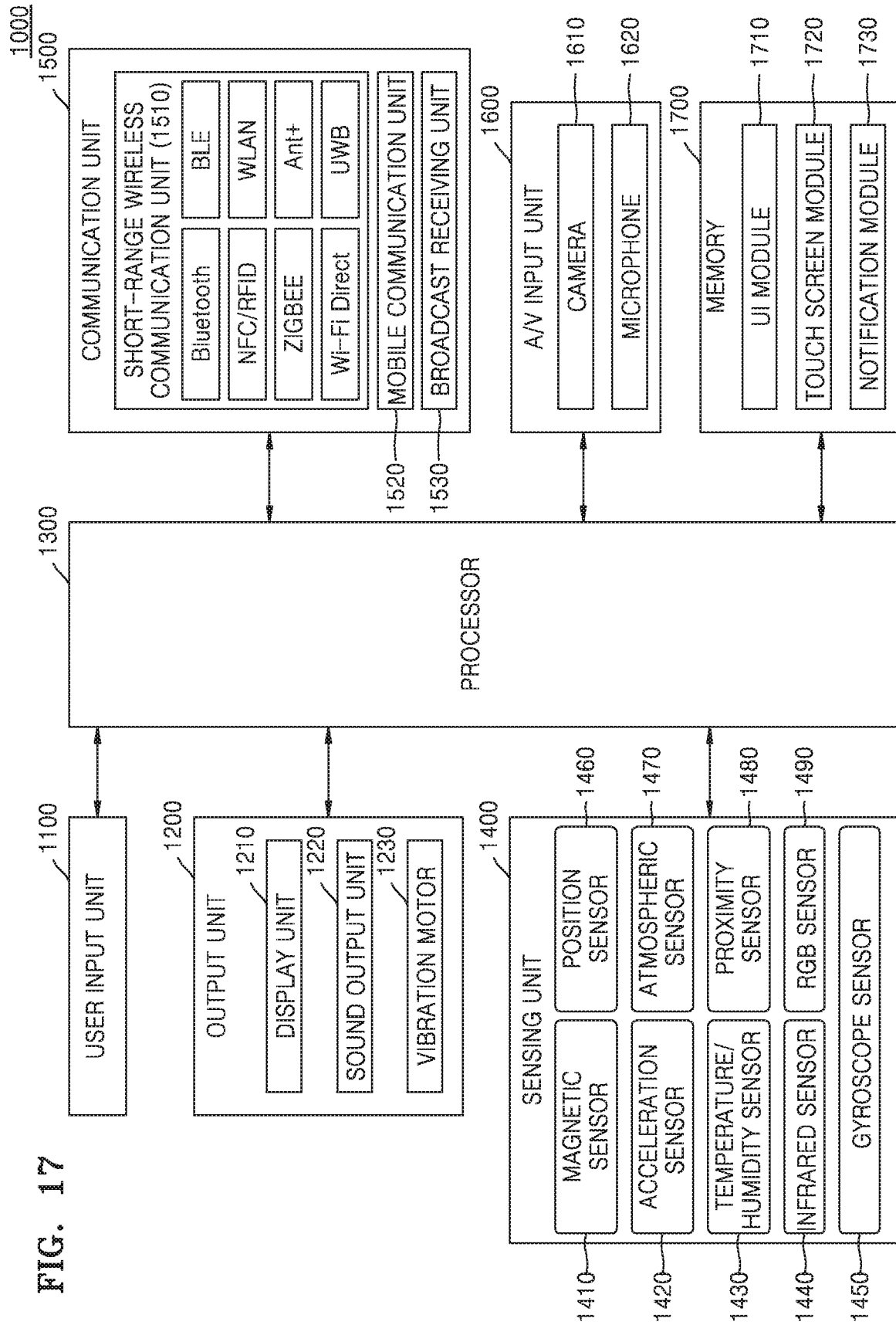


FIG. 17