

FIG. 1

(GARIMA SAHNEY)

IN/PA-1826

AGENT FOR THE APPLICANT(S)
OF SAIKRISHNA & ASSOCIATES

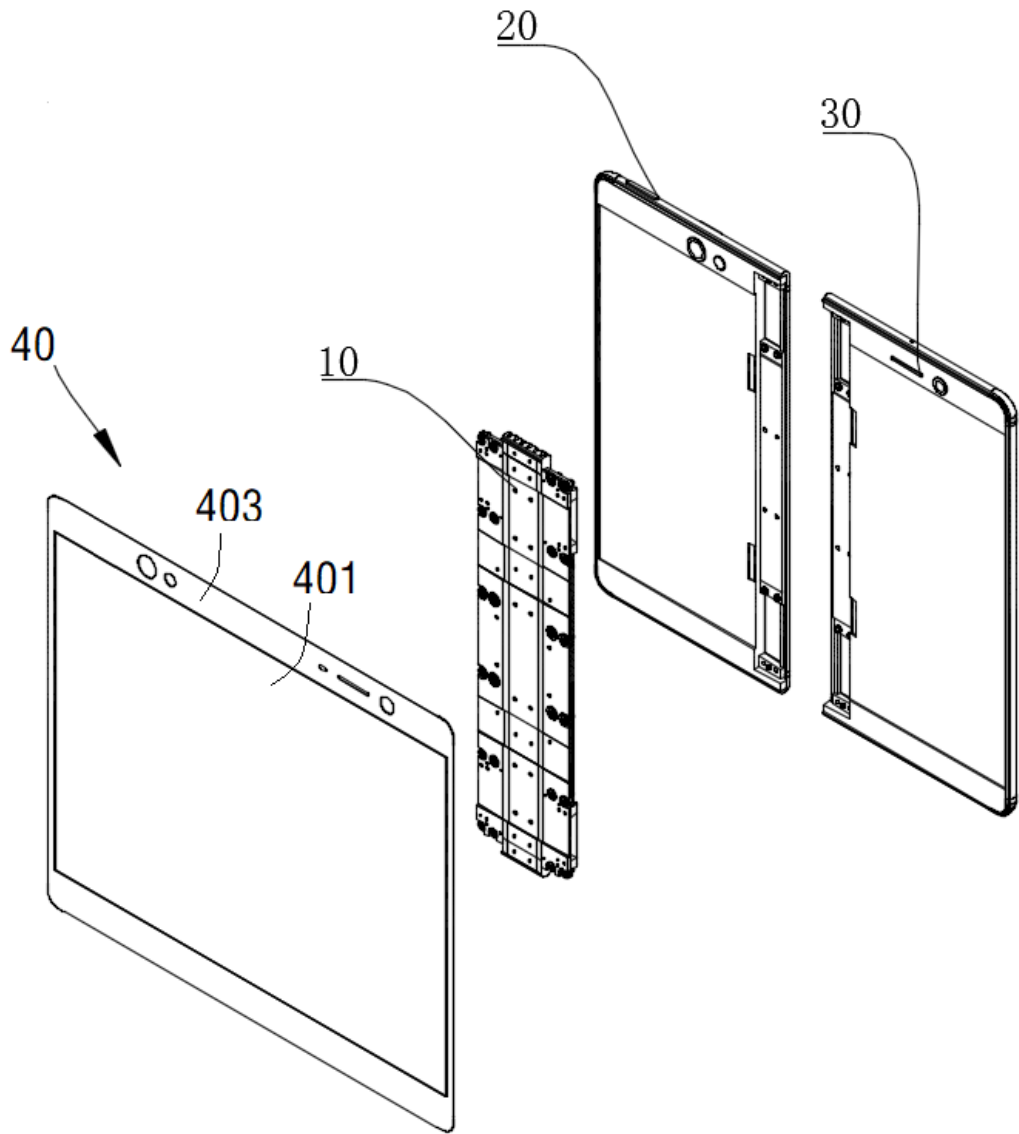


FIG. 2

(GARIMA SAHNEY)
IN/PA-1826
AGENT FOR THE APPLICANT(S)
OF SAIKRISHNA & ASSOCIATES

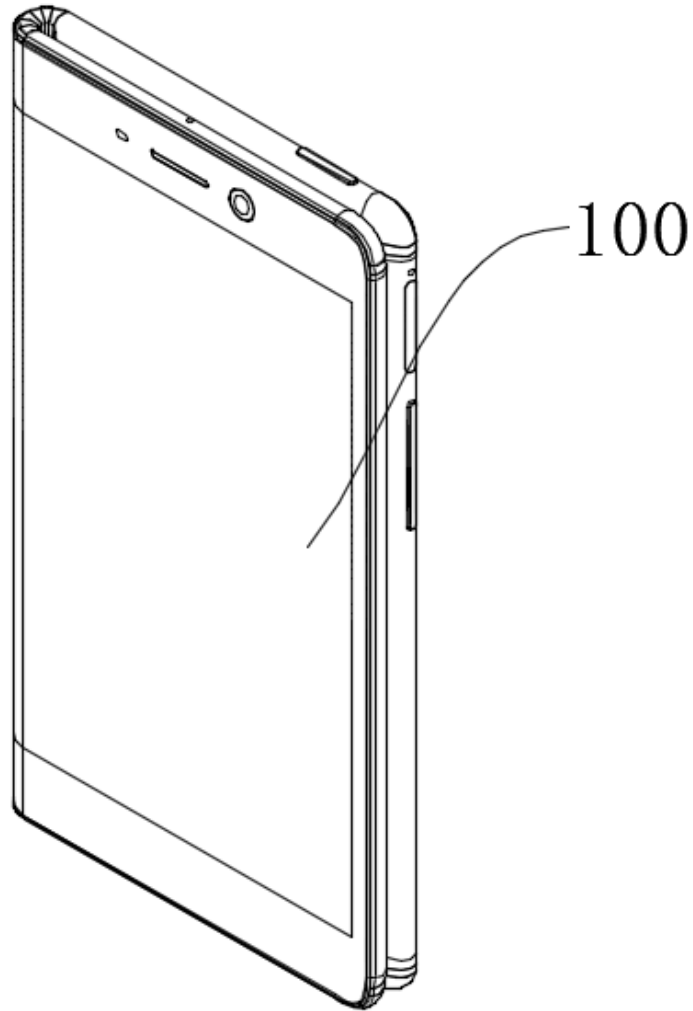


FIG. 3

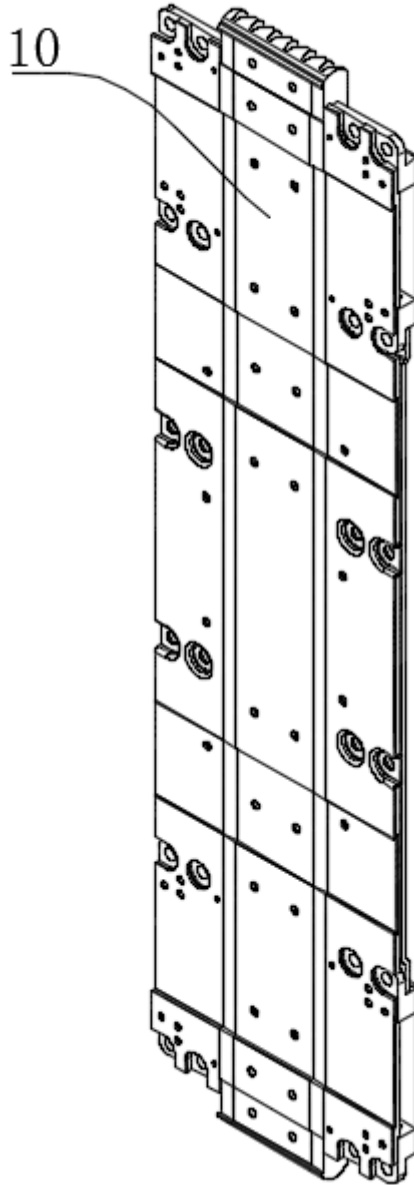


FIG. 4

(GARIMA SAHNEY)

IN/PA-1826

AGENT FOR THE APPLICANT(S)
OF SAIKRISHNA & ASSOCIATES

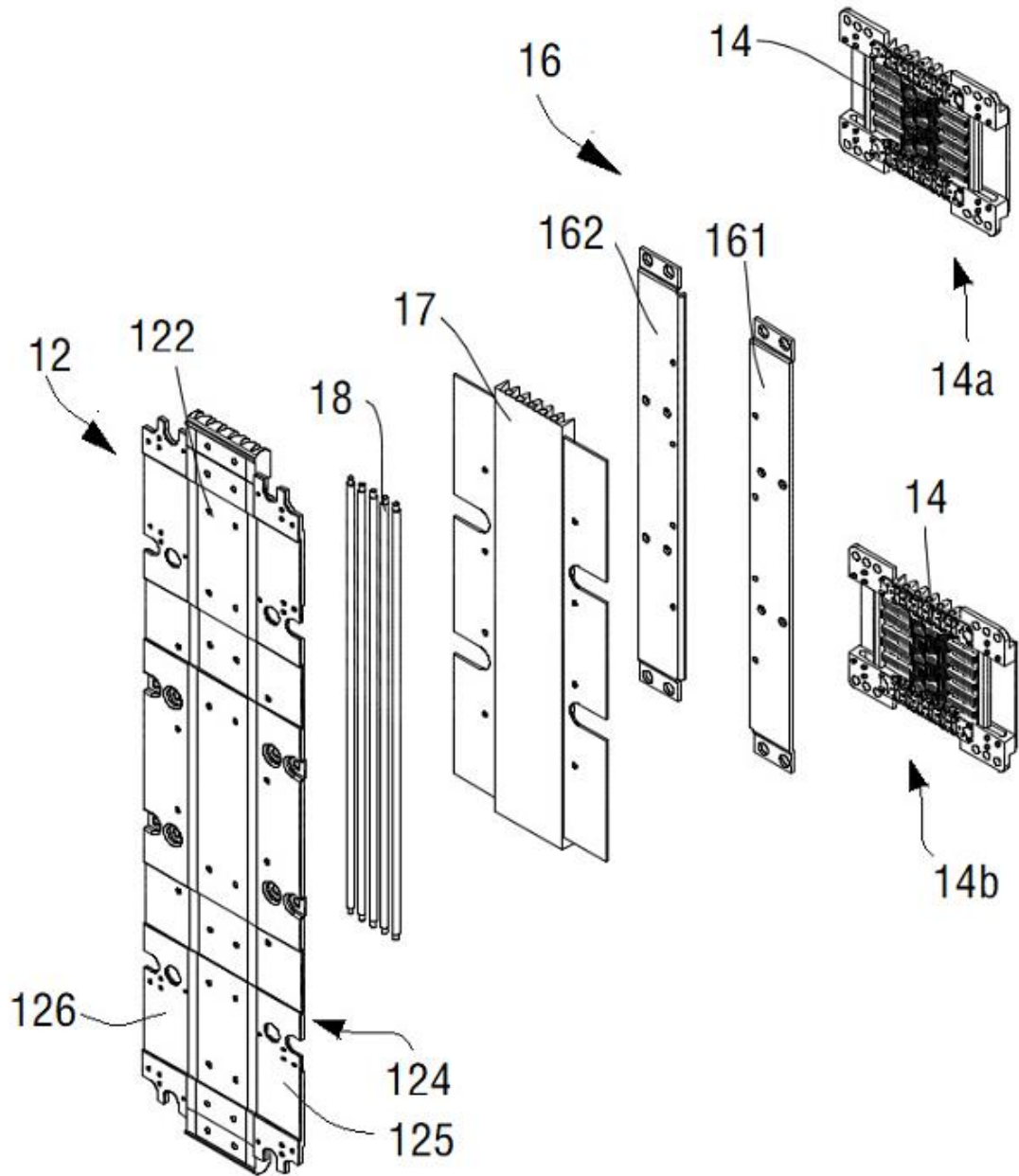


FIG. 5

G. Sahney
(GARIMA SAHNEY)
IN/PA-1826
AGENT FOR THE APPLICANT(S)
OF SAIKRISHNA & ASSOCIATES

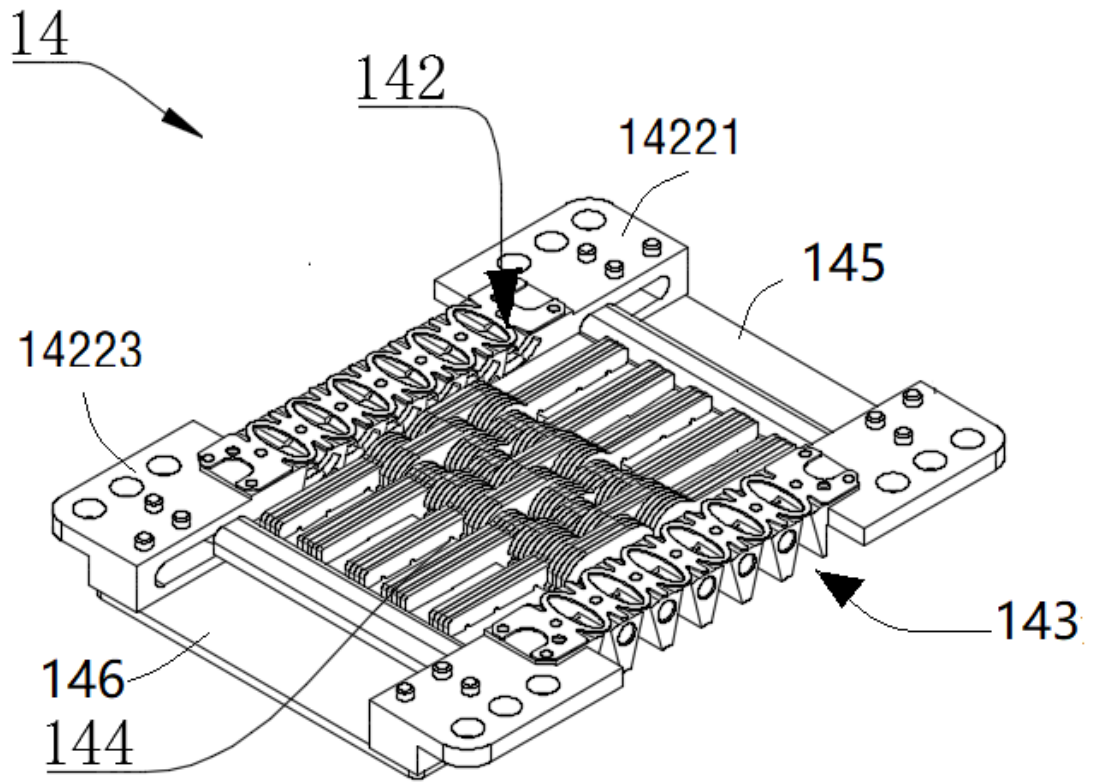


FIG. 6

(GARIMA SAHNEY)
IN/PA-1826
AGENT FOR THE APPLICANT(S)
OF SAIKRISHNA & ASSOCIATES

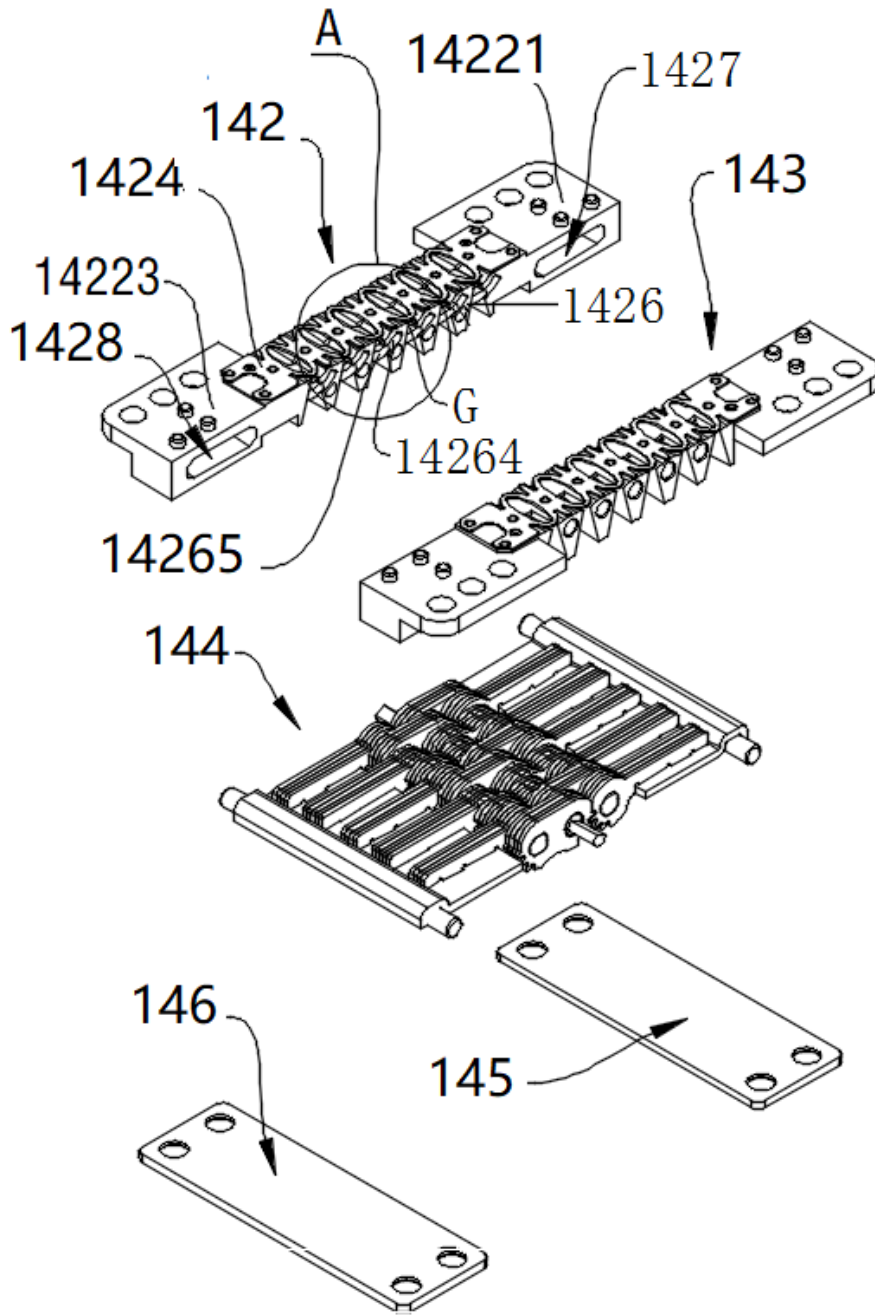


FIG. 7

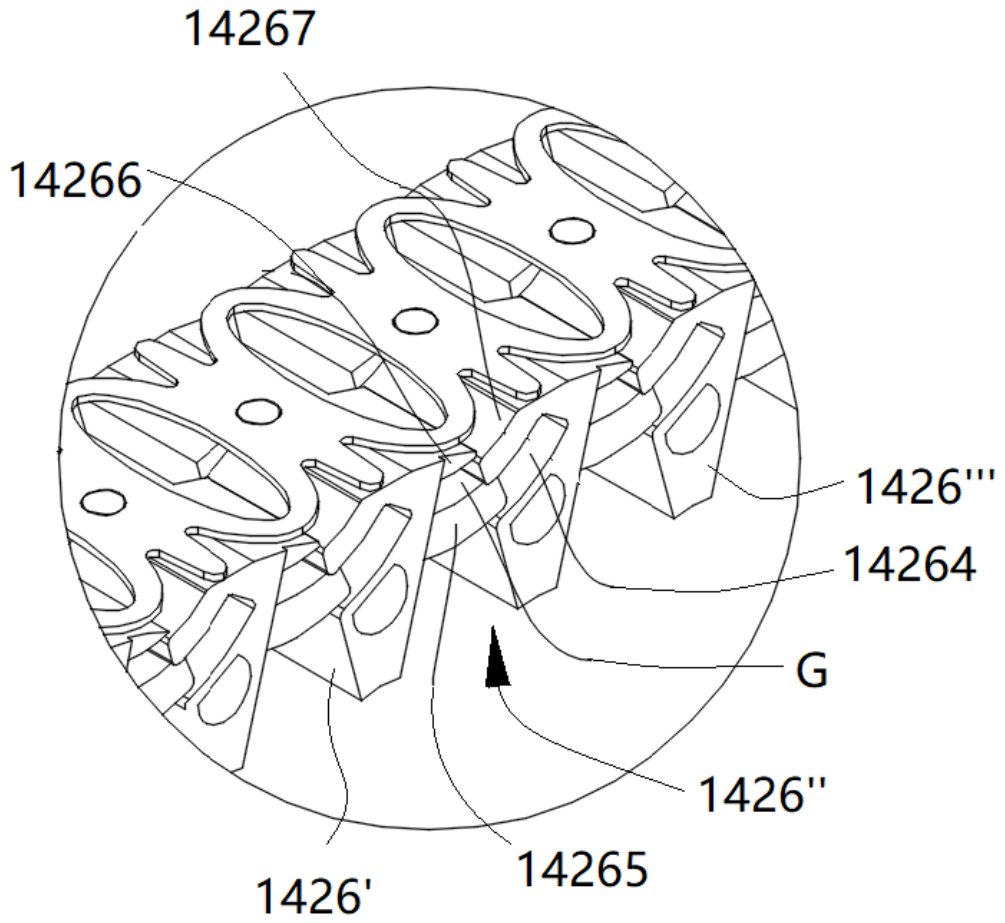


FIG. 8

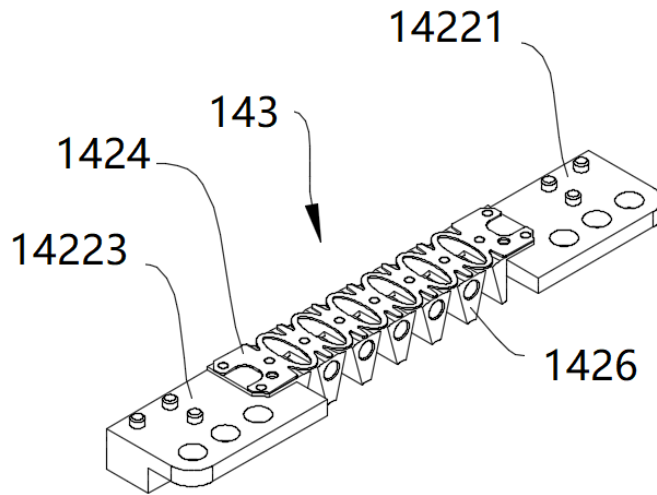


FIG. 9

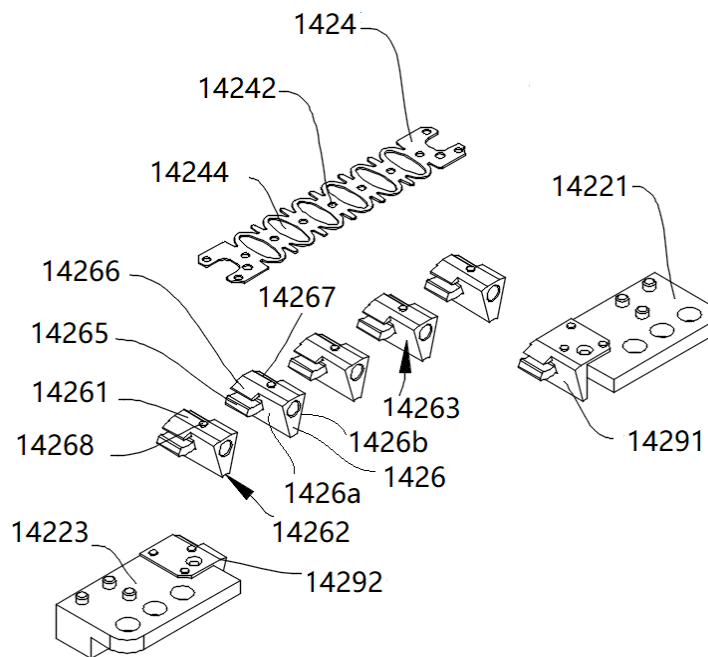


FIG. 10

G. Sahney

(GARIMA SAHNEY)
IN/PA-1826
AGENT FOR THE APPLICANT(S)
OF SAIKRISHNA & ASSOCIATES

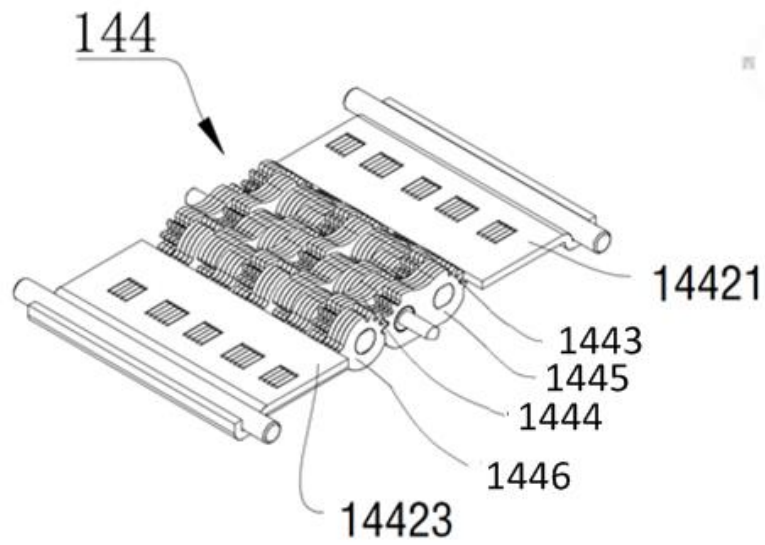


FIG. 11

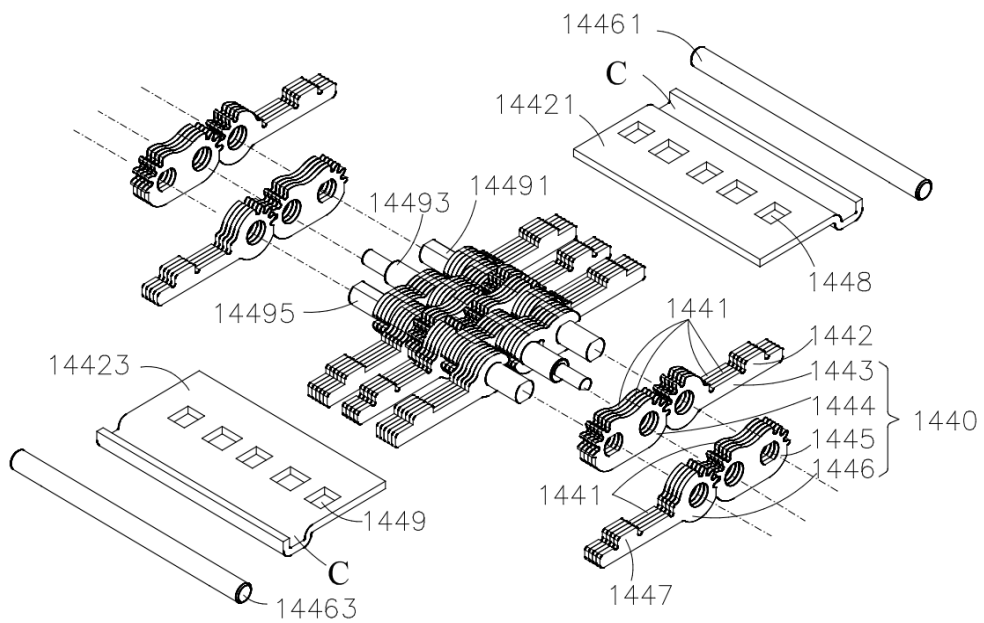


FIG. 12

G. Sahney

(GARIMA SAHNEY)

IN/PA-1826

AGENT FOR THE APPLICANT(S)
OF SAIKRISHNA & ASSOCIATES

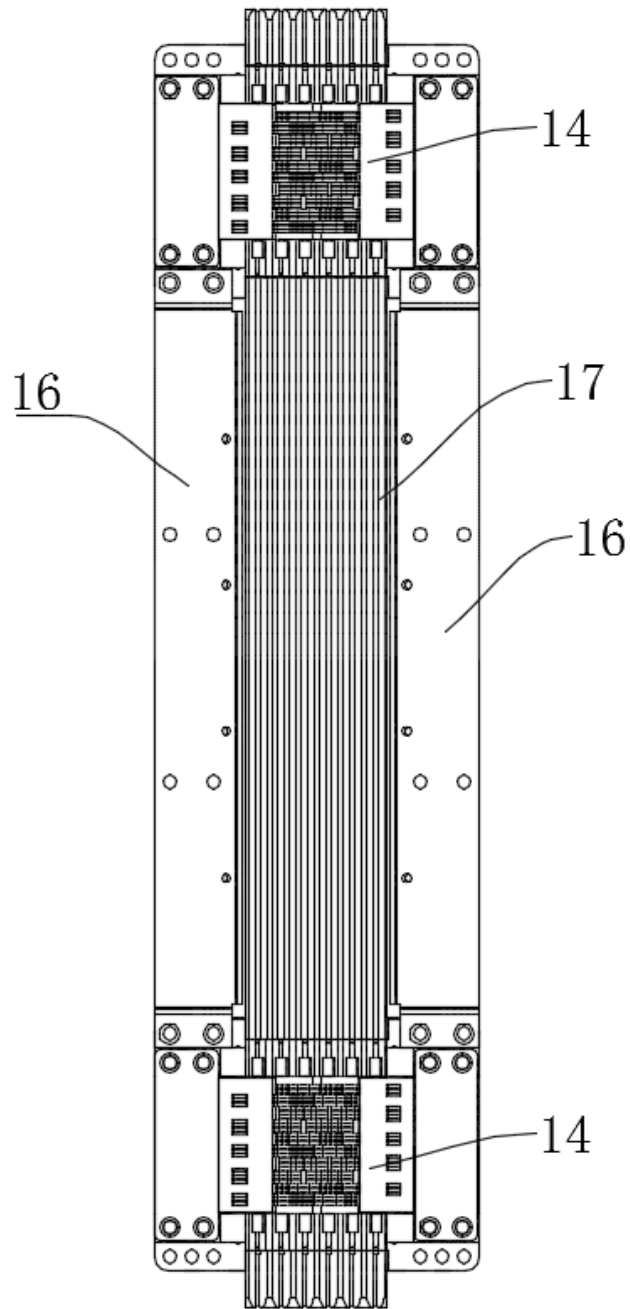


FIG. 13

G. Sahney

(GARIMA SAHNEY)
IN/PA-1826

AGENT FOR THE APPLICANT(S)
OF SAIKRISHNA & ASSOCIATES