

*Replacement Sheet*

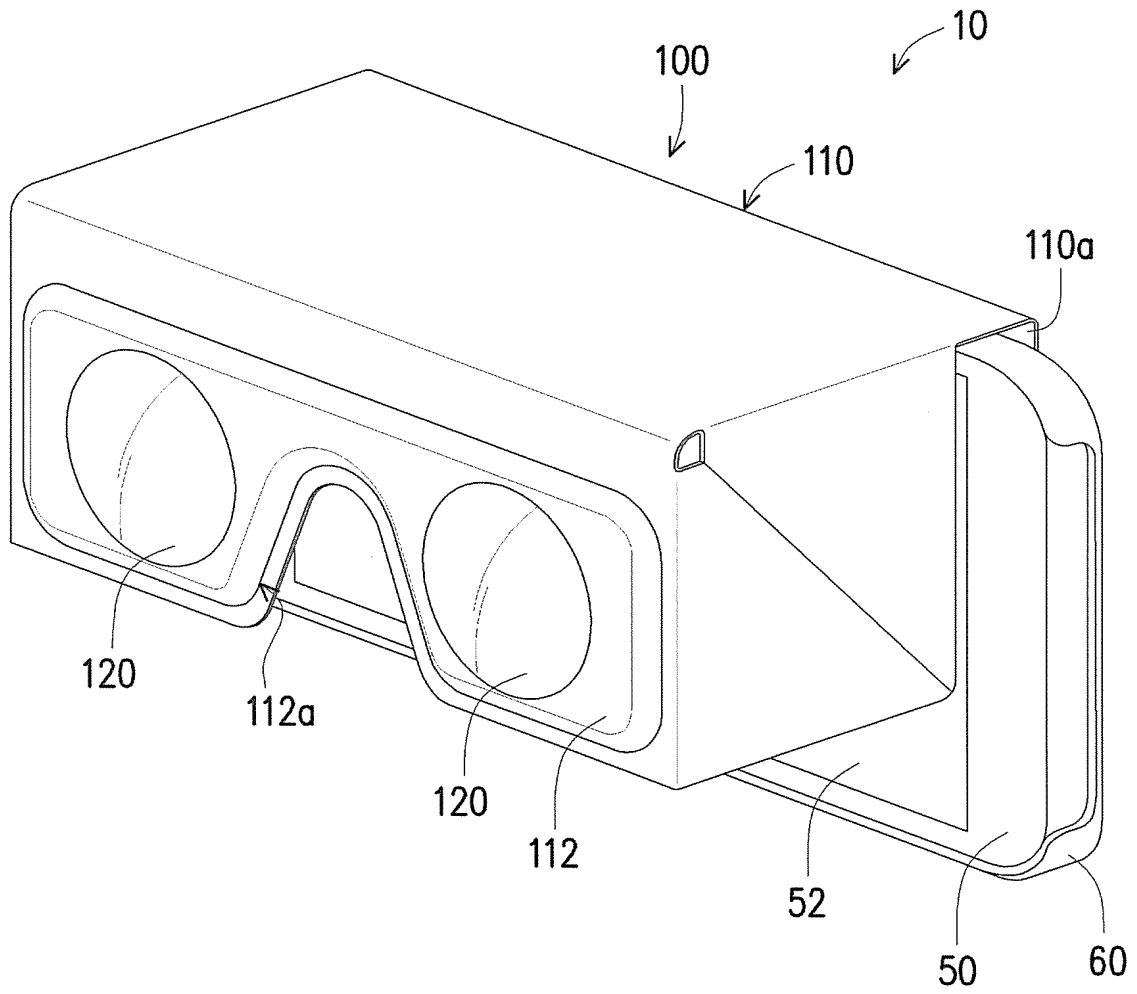


FIG. 1A

*Replacement Sheet*

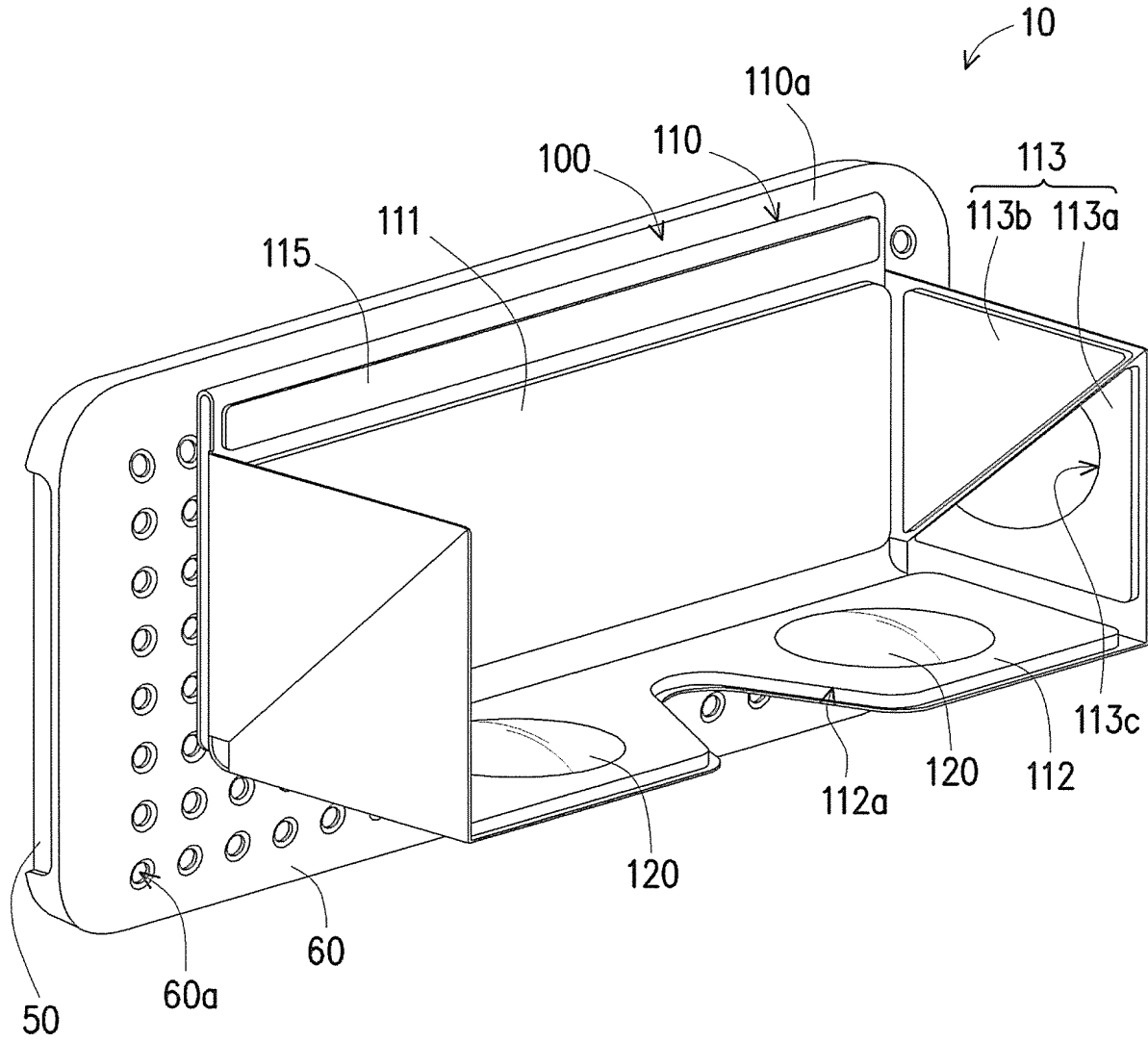


FIG. 1B

*Replacement Sheet*

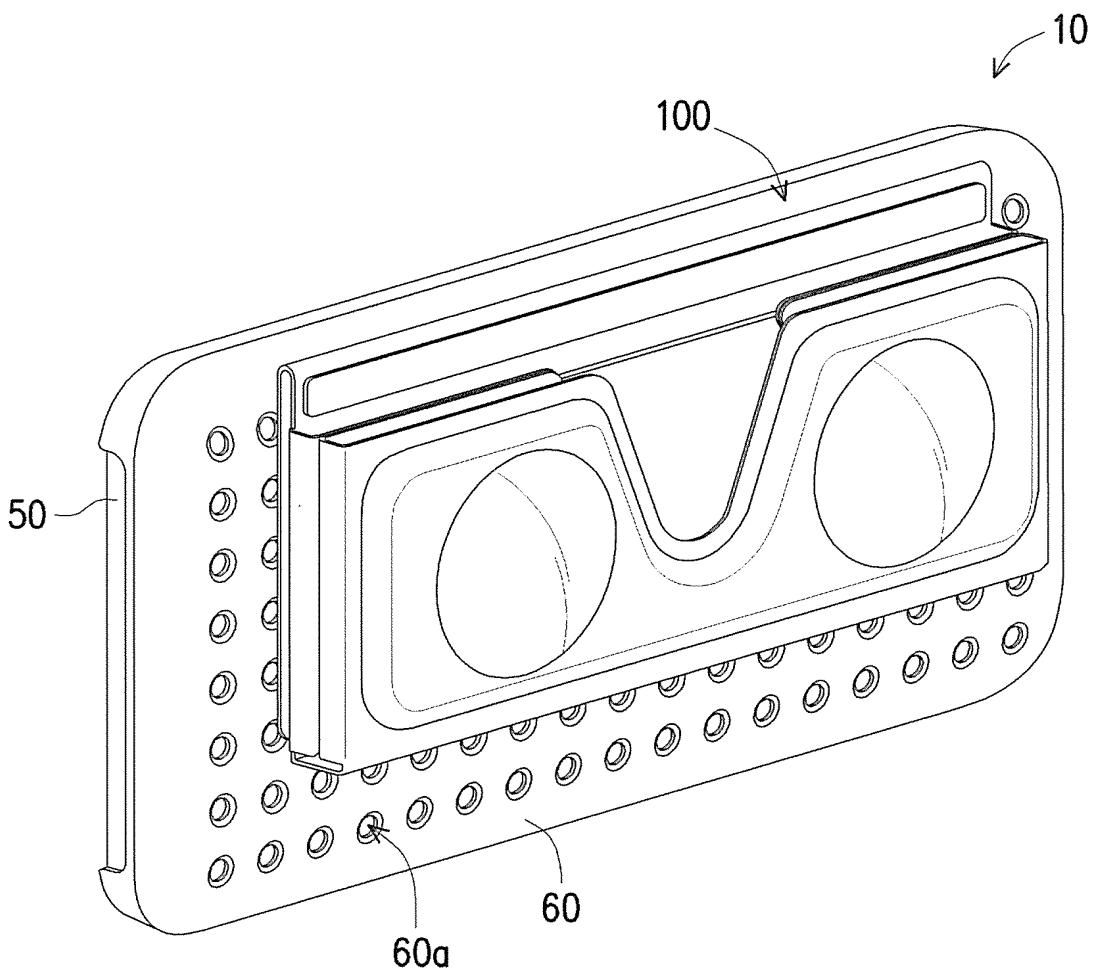


FIG. 1C

Replacement Sheet

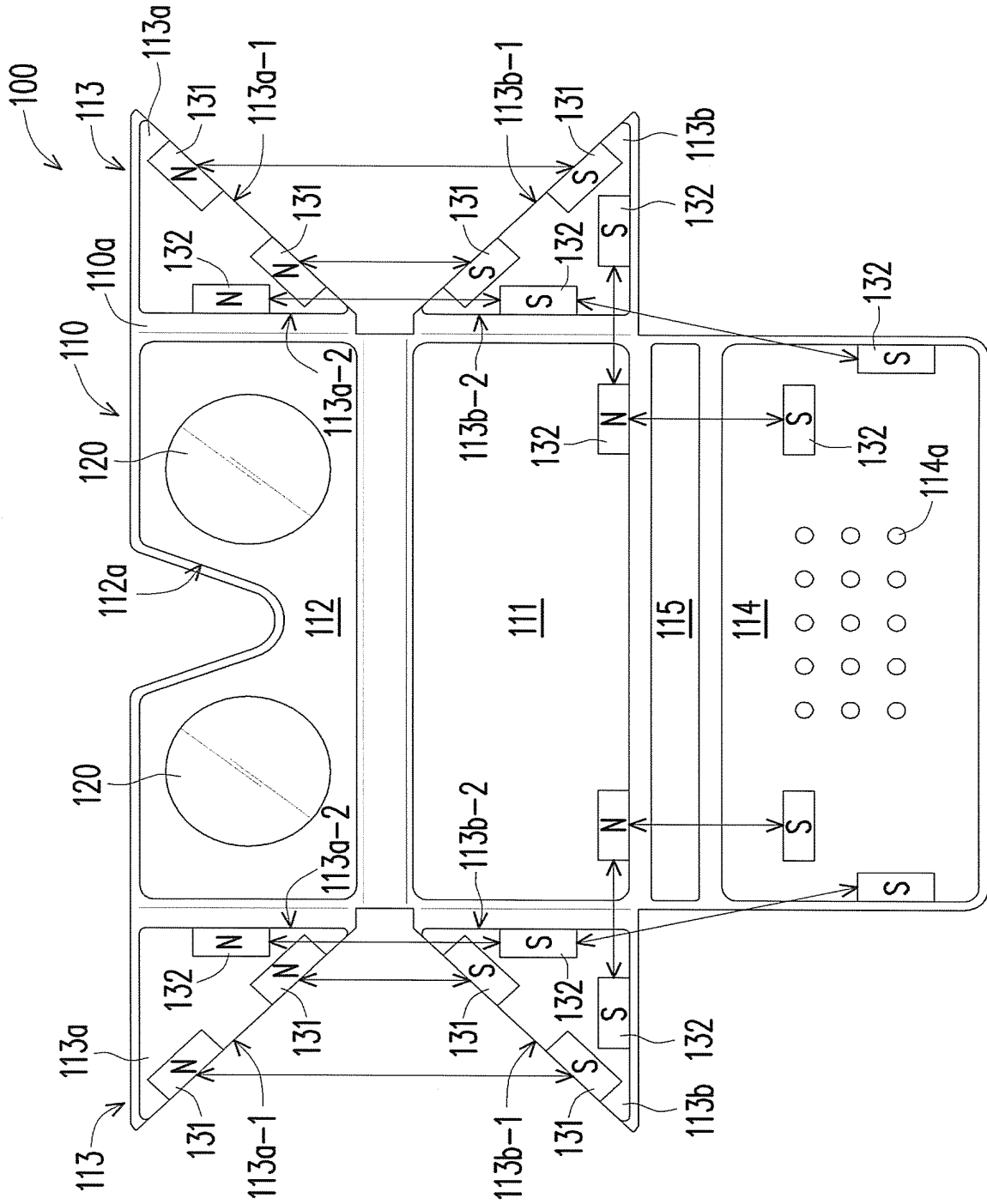


FIG. 2

*Replacement Sheet*

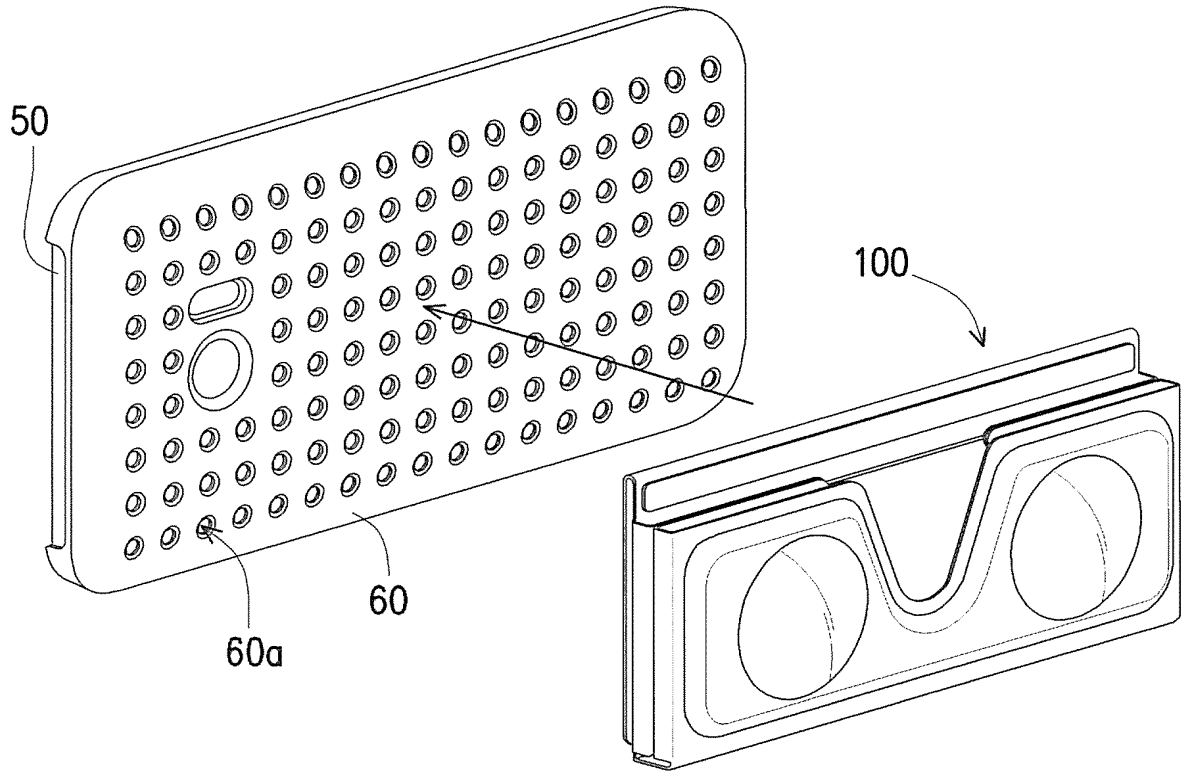


FIG. 3A

*Replacement Sheet*

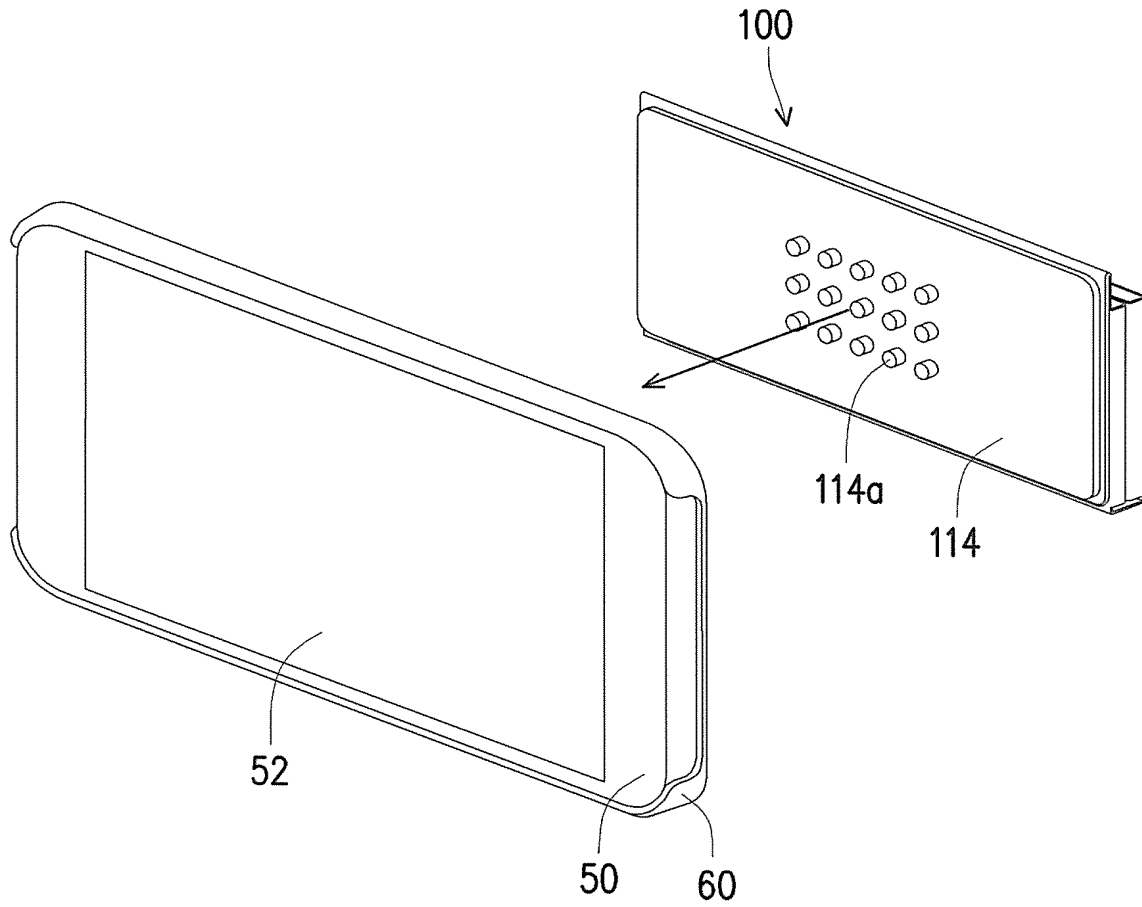


FIG. 3B